

Structure ID: 075 (KY B 10ft)

P1 BX3636-08BAVF

BOX BASE 8inW, 8inF, Variable Ht F/n

P4) 8" x 120" - CB INLET KY B 10' TOP F/G - 9" P3) 24" x 120" - CB INLET KY B 10' BOTTOM RIGHT T/G - 17" P2) 36" x 36" - CB FT REDUCER 24"X24" HOLE T/F - 8" P1) 36" x 36" - BOX BASE 8inW, 8inF, Variable Ht F/n - 40" 1) 36" x 36" - Conseal CS-102 1.00" 1) 24" x 24" - Conseal CS-102 1.00" 2) Hole - 28 1) Hole - 6	1660 lb 2650 lb 1429 lb 5695 lb 0 lb 0 lb 0 lb 0 lb 0 lb	
Structure Total:		11434 lb

Structure Notes:
 ** KYTC STATE PROJECT **
 1. PER KYTC CBI TYPE B / ASTM C913 SPEC'S.
 2. CONCRETE = 4,000 PI AT 28 DAYS.
 3. NO STEPS & NO INVERT CHANNEL.
 5. CBI KY B F/G - BY OTHERS.

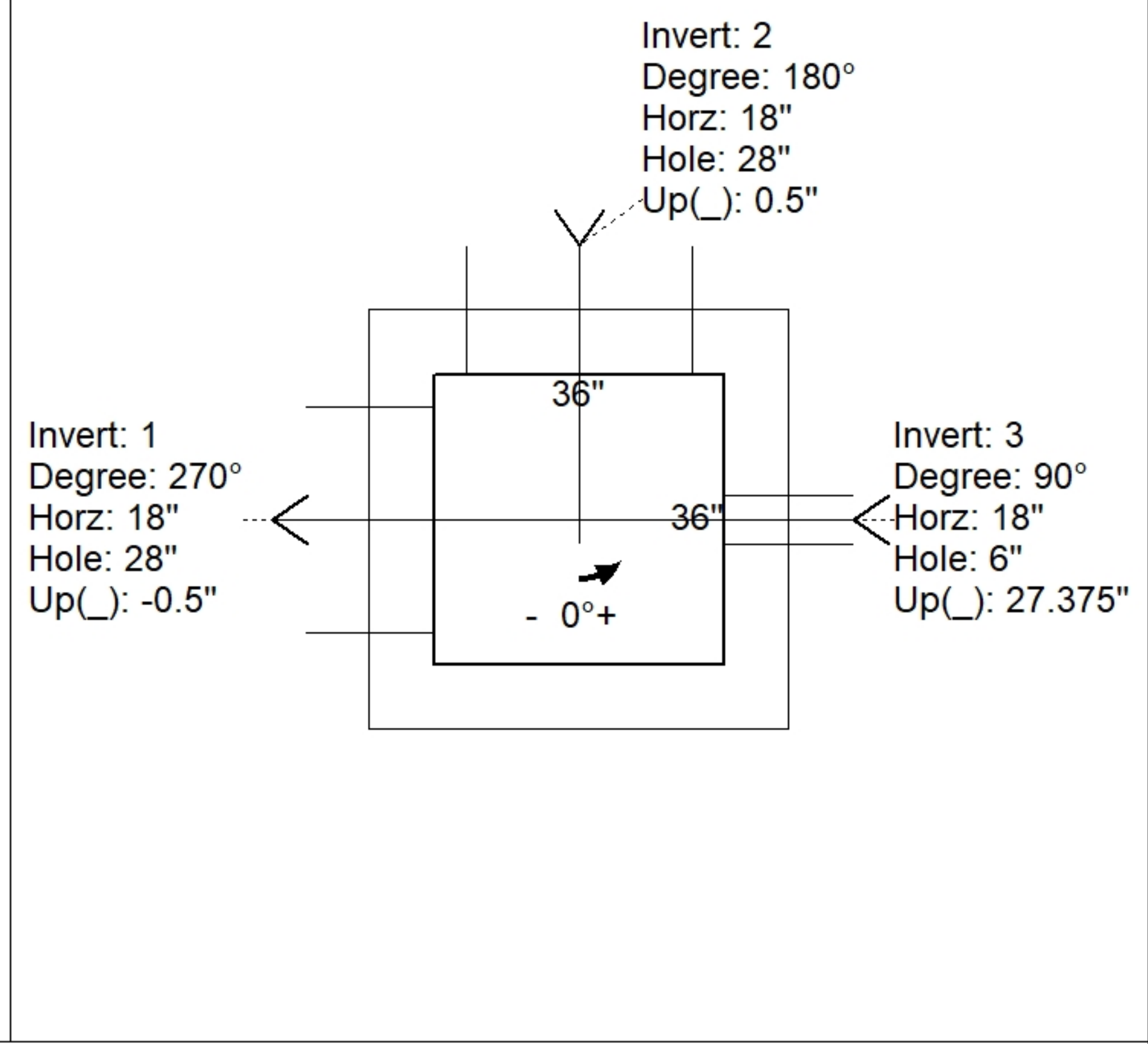
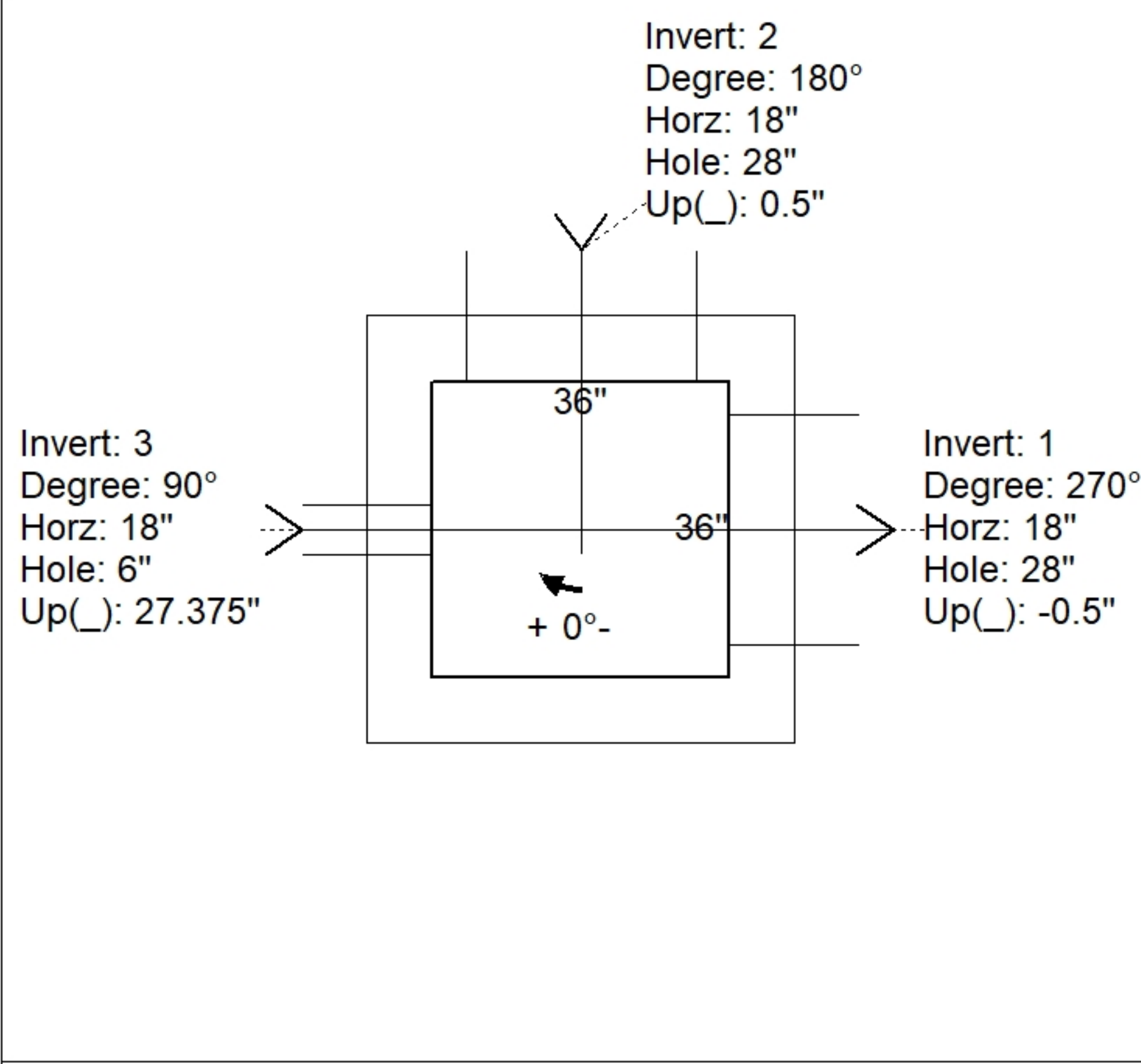
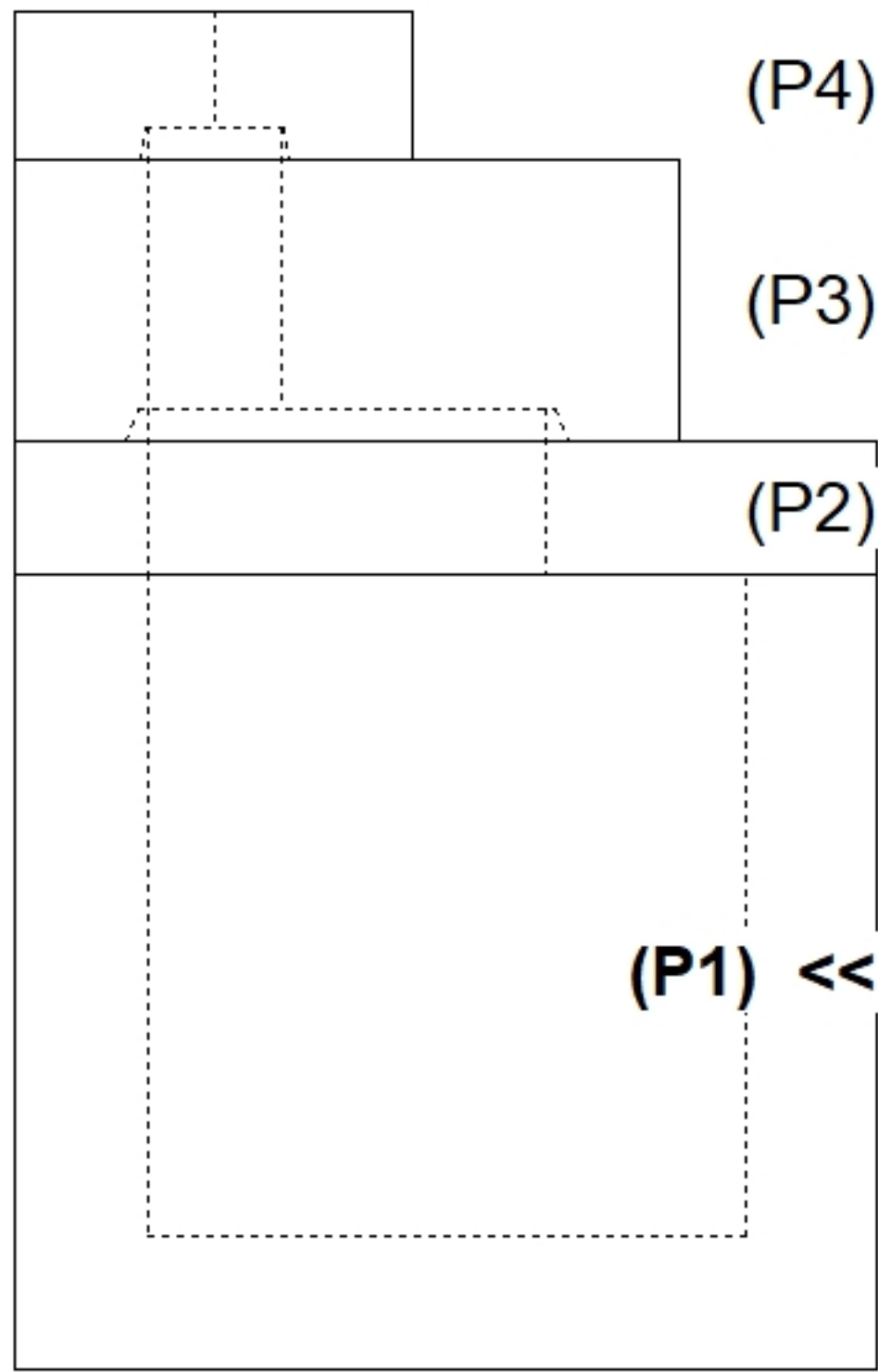
REINFORCING PER ASTM A615 (GRADE 60).
 - TOP PHASE (As .62) #5 BARS AT 6" C.C.E.W.
 - TRANS. SLAB (As .31) #5 BARS AT 6" C.C.E.W. (DBL MAT.)
 - WALLS/FLOOR (As .31) #5 BARS AT 12" C.C.E.W.

Rim: 425.98' Rim to Invert: 6.46' Slack: 3.52" Sump: 0" Step Position:

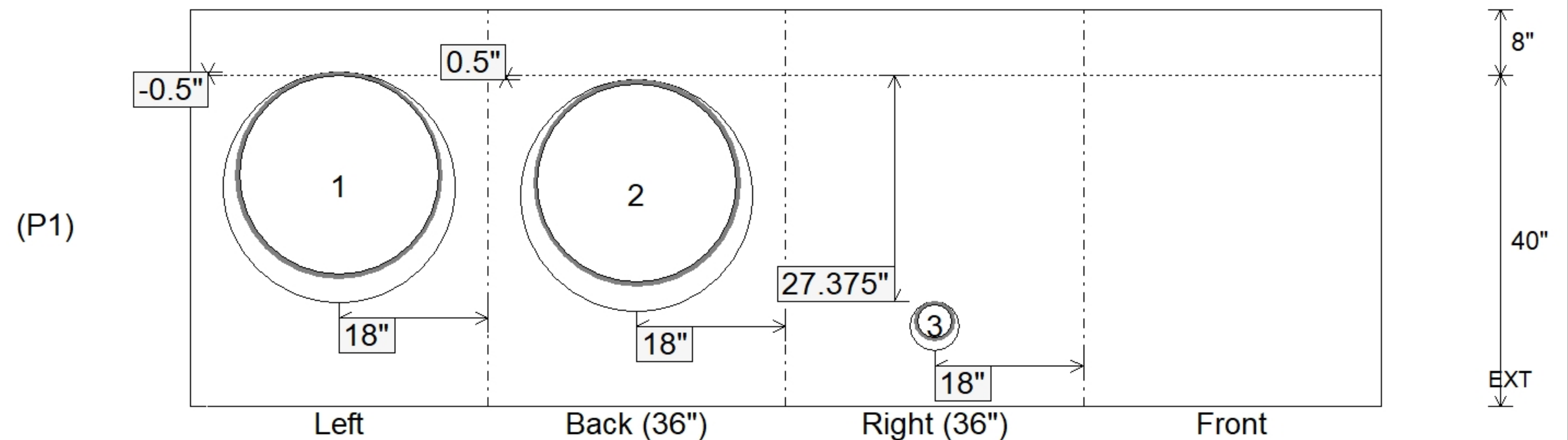
Position	Elev	Angle	Ext. (cw)	Pipe	Pipe OD	Connector	Hole	Horz Size	Up ()	Offset
Invert 1	419.52'	270°	26"	24" CMP	25"	Hole 28	28"	28"	-0.5"	0"
Invert 2	419.6'	180°	26"	24" CMP	25"	Hole 28	28"	28"	0.5"	0"
Invert 3	421.83'	90°	26"	4" HDPE (perf pipe)	4.8"	Hole 6	6"	6"	27.375"	0"
Invert 4										
Invert 5										
Invert 6										
Invert 7										
Invert 8										

RIGHT-SIDE UP VIEW (int. dimensions)

UPSIDE-DOWN VIEW (int. dimensions)



INSIDE WALL DIMENSIONS



Coating (Int): Coating (Ext):	Seam Up: Flat Seam Dn: n/a	Wall Thickness: 8" Floor Height: 8"	Height (Int): 40" Height (Ext): 48"	Weight (Net): 5695 lb Volume (Net): 1.46cu.yd
----------------------------------	-------------------------------	--	--	--