

Job Name: 23-1914 - KYTC Daviess County ID 231032
 Job Location: Owensboro, KY 42701
 Contractor: Mick-Murf Construction Inc.

Plant: 100

Tech: J. Horsley

1/8/2026 10:14:03 AM

PC: C. Goff



Structure ID: 069 (DBI-16S)

P1 BX2460-08BA42

BOX BASE 8inW, 8inF F/n

- P3) 15" x 59" - P.I.P. - BY OTHERS - 8"
- P2) 24" x 60" - CB FLAT TOP 8"W w/15"x59" HOLE F/F - 8"
- P1) 24" x 60" - BOX BASE 8inW, 8inF F/n - 42"
- 1) 24" x 60" - Conseal CS-102 1.00"
- 2) Hole - 22
- 1) Hole - 18
- 1) DOGHOUSE INVRTD - 16"x16"
- 1) Hole - 6

0 lb
 1447 lb
 6793 lb
 0 lb
 0 lb
 0 lb
 0 lb
 0 lb
 0 lb

Structure Total: 8240 lb

Structure Notes:

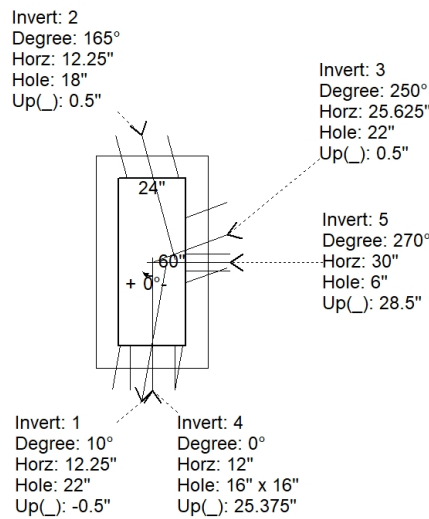
- **KYTC STATE PROJECT**
 - 1. KYTC DBI TYPE 16S / ASTM C-913 SPEC'S.
 - 2. CONCRETE = 4,000 PSI AT 28 DAYS.
 - 3. NO STEPSS & NO INVERT CHANNEL.
 - 4. HOE K-230S F/G (DBI-16S) - BY OTHERS.
 - 5. STUB #5 BARS 6" OUT TOP OF TOP SLAB SPA AT 12" C/C AROUND 15X27 HOLE
- REINFORCING PER ASTM A615 (GRADE 60).
 - TOP: SLAB (As .62) #5 BARS AT 6" C.C.E.W. (DBL MAT).
 - WALLS (As .31) #5 BARS AT 12" C.C.E.W.
 - FLOOR (As .31) #5 BARS AT 12" C.C.E.W.

Rim: 425.15' Rim to Invert: 4.9' Slack: 0.8" Sump: 0" Step Position:

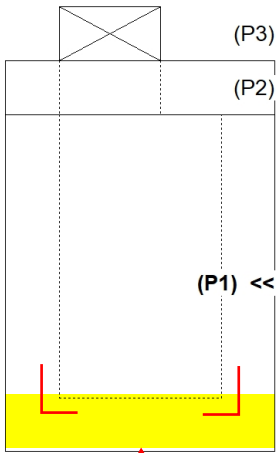
Position	Elev	Angle	Ext. (cw)	Pipe	Pipe OD	Connector	Hole	Horz Size	Up ()	Offset
Invert 1	420.25'	10°	21.625"	18" CMP	19"	Hole 22	22"	22.339"	-0.5"	-5"
Invert 2	420.33'	165°	18.125"	15" CMP	16"	Hole 18	18"	18.635"	0.5"	8"
Invert 3	420.33'	250°	30.75"	18" CMP	19"	Hole 22	22"	23.412"	0.5"	0"
Invert 4	422.41'	0°	20"	12" CMP SLTD DRN	13"	DOGHOUSE INVRTD 16"x16"	16" x 16"	16"	25.375"	0"
Invert 5	422.66'	270°	38"	4" HDPE (perf pipe)	4.8"	Hole 6	6"	6"	28.5"	0"
Invert 6										
Invert 7										
Invert 8										

RIGHT-SIDE UP VIEW (int. dimensions)

UPSIDE-DOWN VIEW (int. dimensions)

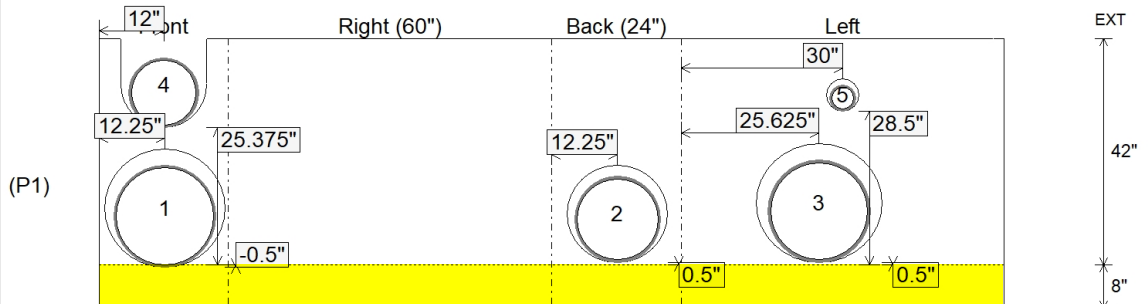


**1ST POUR (FLOOR) = 2,049 LBS
 2ND POUR (WALLS) = 4,744 LBS**



**1ST POUR (FLOOR)
 STUB #5 L BARS OUT TOP
 OF FLOOR FOR
 CONNECTING WALLS**

INSIDE WALL DIMENSIONS



Coating (Int):
 Coating (Ext):

Seam Up: Flat
 Seam Dn: n/a

Wall Thickness: 8"
 Floor Height: 8"

Height (Int): 42"
 Height (Ext): 50"

Weight (Net): 6793 lb
 Volume (Net): 1.74cu.yd

Job Name: 23-1914 - KYTC Daviess County ID 231032
 Job Location: Owensboro, KY 42701
 Contractor: Mick-Murf Construction Inc.

Plant: 100

Tech: J. Horsley

1/8/2026 10:14:03 AM

PC: C. Goff



Structure ID: 069 (DBI-16S)

P1A BX2460-08BA42

BOX BASE 8inW, 8inF F/n

- P3) 15" x 59" - P.I.P. - BY OTHERS - 8"
- P2) 24" x 60" - CB FLAT TOP 8"W w/15"x59" HOLE F/F - 8"
- P1) 24" x 60" - BOX BASE 8inW, 8inF F/n - 42"
- 1) 24" x 60" - Conseal CS-102 1.00"
- 2) Hole - 22
- 1) Hole - 18
- 1) DOGHOUSE INVRTD - 16"x16"
- 1) Hole - 6

- 0 lb
- 1447 lb
- 6793 lb
- 0 lb
- 0 lb
- 0 lb
- 0 lb
- 0 lb
- 0 lb

Structure Total: 8240 lb

Structure Notes:

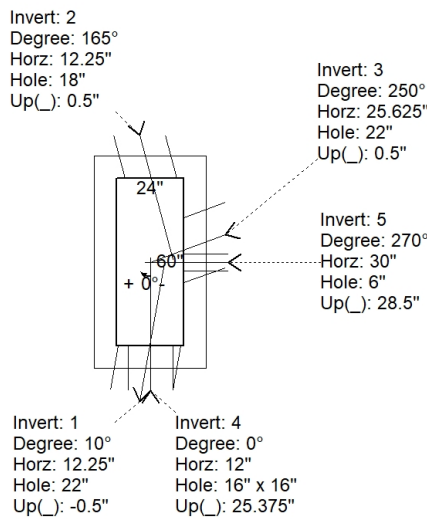
- **KYTC STATE PROJECT**
 - 1. KYTC DBI TYPE 16S / ASTM C-913 SPEC'S.
 - 2. CONCRETE = 4,000 PSI AT 28 DAYS.
 - 3. NO STEPSS & NO INVERT CHANNEL.
 - 4. HOE K-230S F/G (DBI-16S) - BY OTHERS.
 - 5. STUB #5 BARS 6" OUT TOP OF TOP SLAB SPA AT 12" C/C AROUND 15X27 HOLE
- REINFORCING PER ASTM A615 (GRADE 60).
 - TOP: SLAB (As .62) #5 BARS AT 6" C.C.E.W. (DBL MAT).
 - WALLS (As .31) #5 BARS AT 12" C.C.E.W.
 - FLOOR (As .31) #5 BARS AT 12" C.C.E.W.

Rim: 425.15' Rim to Invert: 4.9' Slack: 0.8" Sump: 0" Step Position:

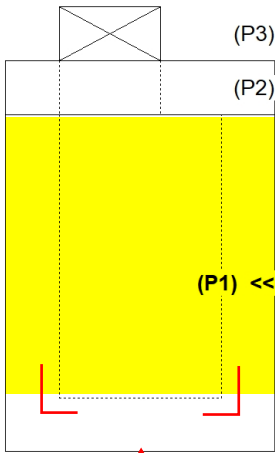
Position	Elev	Angle	Ext. (cw)	Pipe	Pipe OD	Connector	Hole	Horz Size	Up ()	Offset
Invert 1	420.25'	10°	21.625"	18" CMP	19"	Hole 22	22"	22.339"	-0.5"	-5"
Invert 2	420.33'	165°	18.125"	15" CMP	16"	Hole 18	18"	18.635"	0.5"	8"
Invert 3	420.33'	250°	30.75"	18" CMP	19"	Hole 22	22"	23.412"	0.5"	0"
Invert 4	422.41'	0°	20"	12" CMP SLTD DRN	13"	DOGHOUSE INVRTD 16"x16"	16" x 16"	16"	25.375"	0"
Invert 5	422.66'	270°	38"	4" HDPE (perf pipe)	4.8"	Hole 6	6"	6"	28.5"	0"
Invert 6										
Invert 7										
Invert 8										

RIGHT-SIDE UP VIEW (int. dimensions)

UPSIDE-DOWN VIEW (int. dimensions)

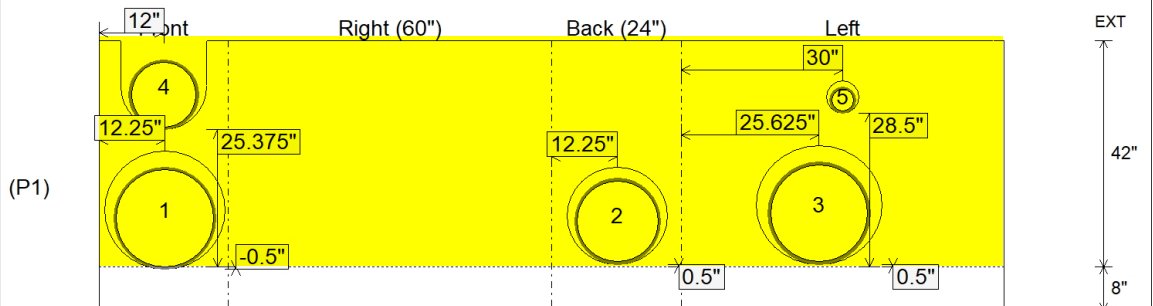


**1ST POUR (FLOOR) = 2,049 LBS
 2ND POUR (WALLS) = 4,744 LBS**



2ND POUR (WALLS)

INSIDE WALL DIMENSIONS



Coating (Int):
 Coating (Ext):

Seam Up: Flat
 Seam Dn: n/a

Wall Thickness: 8"
 Floor Height: 8"

Height (Int): 42"
 Height (Ext): 50"

Weight (Net): 6793 lb
 Volume (Net): 1.74cu.yd