

**Job Name: 23-1914 - KYTC Daviess County ID 231032**  
**Job Location: Owensboro, KY 42701**  
**Contractor: Mick-Murf Construction Inc.**

PC: C. Goff  
 TECH: J. Horsley  
 Plant: 100



Structure ID: **067 (DBI-13G)**  
 Spec: KYTC  
 Type: DBI TYPE 13G private  
 Size: 24" x 30"

Rim: 425.39'  
 Invert: 421.69'  
 Rim to Invert: 3.7'

Sump: 0"  
 Floor (Top): 421.69'  
 Floor Height: 8"

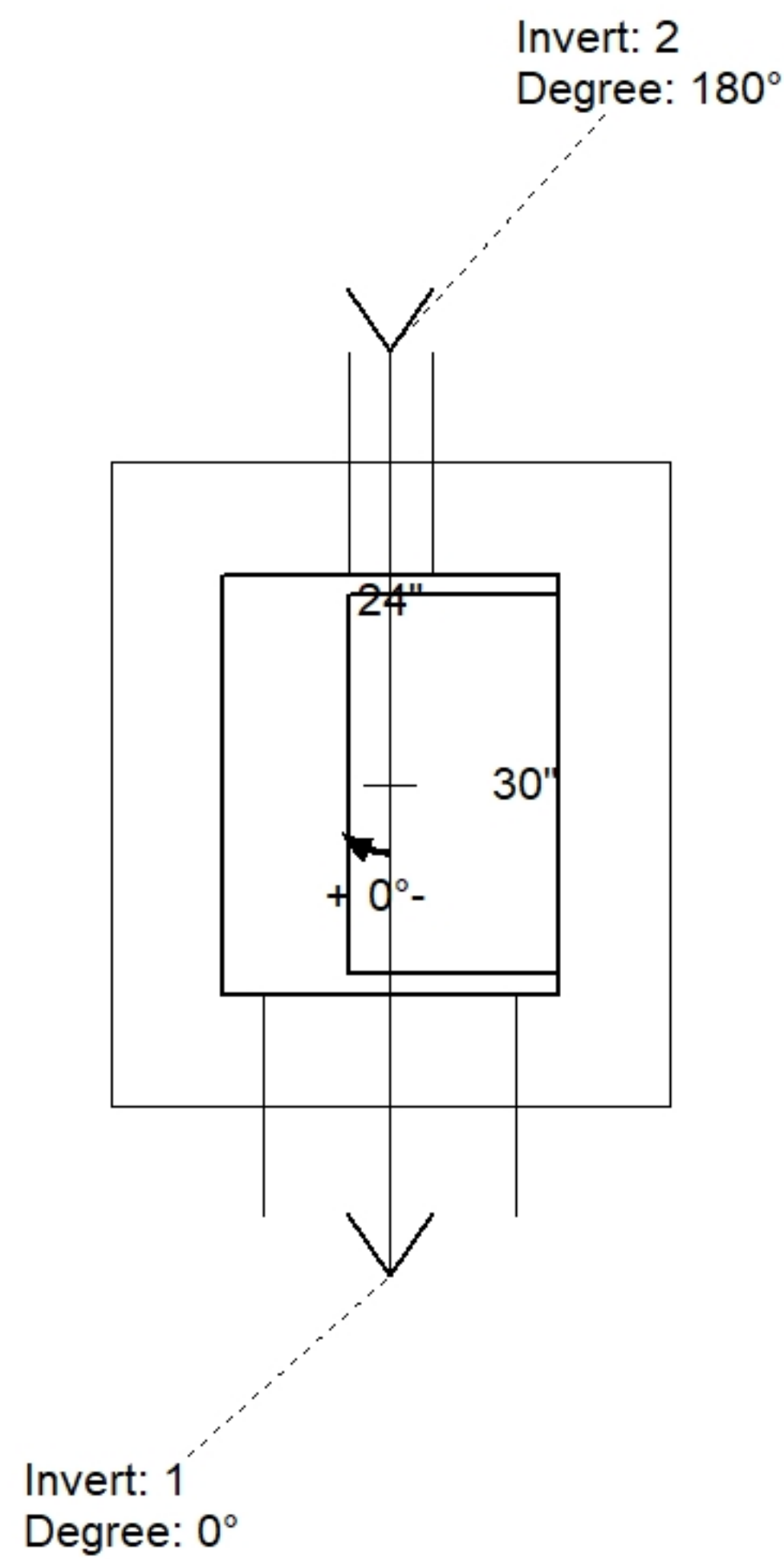
Floor (Bot): 421.023'  
 Overall Height: 4.333'  
 Slack: 0.4"

**Structure Notes:**

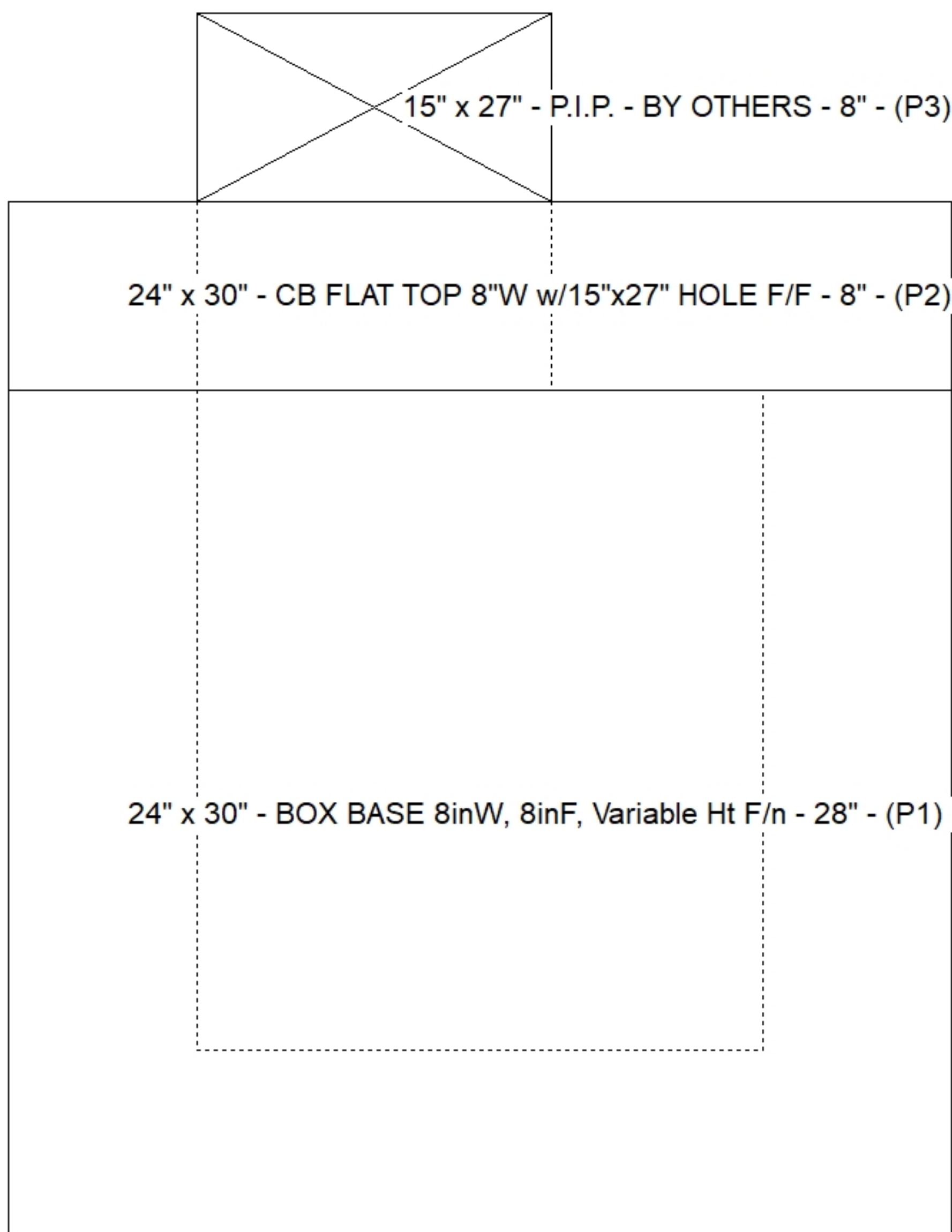
- \*\*KYTC STATE PROJECT\*\***
1. KYTC DBI TYPE 13G / ASTM C-913 SPEC'S.
  2. CONCRETE = 4,000 PSI AT 28 DAYS.
  3. NO STEPSS & NO INVERT CHANNEL.
  4. DBI-13G F/G - BY OTHERS.
  5. STUB #5 BARS 6" OUT TOP OF TOP SLAB  
 SPA AT 12" C/C AROUND 15X27 HOLE
- REINFORCING PER ASTM A615 (GRADE 60).  
 - TOP SLAB (As .62) #5 BARS AT 6" C.C.E.W. (DBL MAT).  
 - WALLS (As .31) #5 BARS AT 12" C.C.E.W.  
 - FLOOR (As .31) #5 BARS AT 12" C.C.E.W.

**STRUCTURE SUMMARY:**

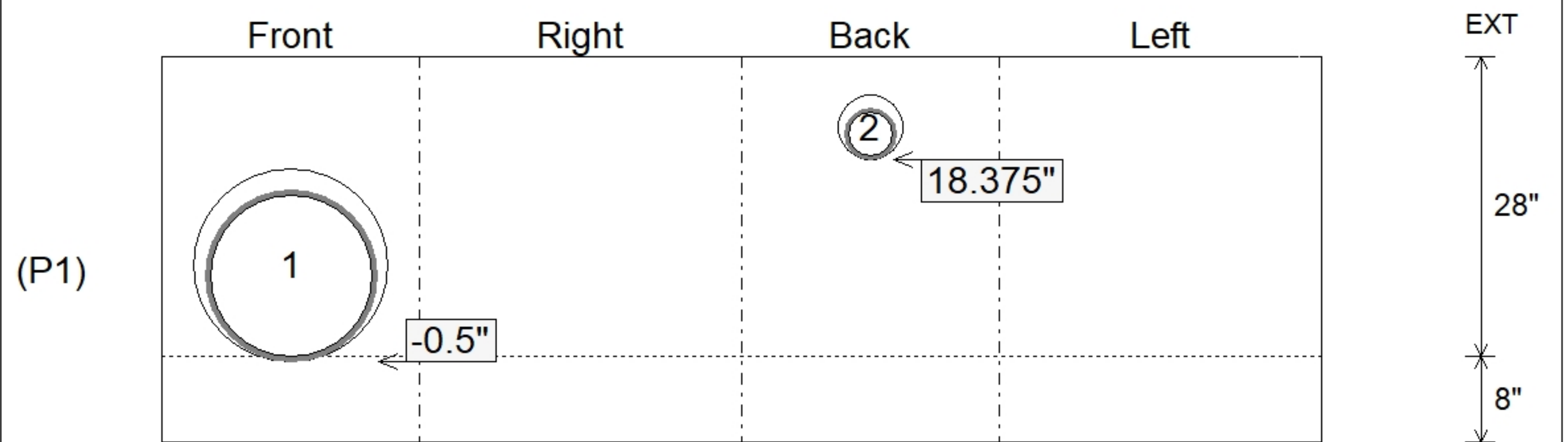
P3) 15" x 27" - P.I.P. - BY OTHERS - 8"	0 lb
P2) 24" x 30" - CB FLAT TOP 8"W w/15"x27" HOLE F/F - 8"	963 lb
P1) 24" x 30" - BOX BASE 8inW, 8inF, Variable Ht F/n - 28"	3677 lb
1) 24" x 30" - Conseal CS-102 1.00"	0 lb
1) Hole - 18	0 lb
1) Hole - 6	0 lb
<b>Structure Total:</b>	<b>4640 lb</b>



Position	Elev	Angle	Pipe	Pipe OD	Hole	Connector	Up (")	Ref
Rim	425.39'							
Reducer								
Invert 1	421.69'	0°	15" CMP	16"	18"	Hole 18	-0.5"	P1
Invert 2	423.25'	180°	4" HDPE (perf pipe)	4.8"	6"	Hole 6	18.375"	P1
Invert 3								
Invert 4								
Invert 5								
Invert 6								
Invert 7								
Invert 8								



**Cast (Int. Dim.) - Interior Dimensions**



Submittal Drawing  
 1/8/2026 10:13:13 AM

SUBMITTAL  
 APPROVED BY: