

Job Name: 23-1914 - KYTC Daviess County ID 231032  
 Job Location: Owensboro, KY 42701  
 Contractor: Mick-Murf Construction Inc.

Plant: 100

1/13/2026 8:25:36 AM

Tech: J. Horsley

PC: C. Goff



**Structure ID: 065 (KY B 10ft)**

**P2 BX024036-08TS024024**

**CB FT REDUCER 24"X24" HOLE T/F**

- P5) 8" x 120" - CB INLET KY B 10' TOP F/G - 9"
- P4) 24" x 120" - CB INLET KY B 10' BOTTOM LEFT T/G - 17"
- P3) 24" x 24" - FIELD ADJUSTMENT - 2"
- P2) 24" x 36" - CB FT REDUCER 24"X24" HOLE T/F - 8"
- P1) 24" x 36" - BOX BASE 8inW, 8inF F/n - 30"
- 1) 24" x 36" - Conseal CS-102 1.00"
- 2) 24" x 24" - Conseal CS-102 1.00"
- 2) Hole - 22
- 1) Hole - 6

- 1660 lb
- 2650 lb
- 0 lb
- 1010 lb
- 3919 lb
- 0 lb
- 0 lb
- 0 lb
- 0 lb
- 0 lb
- 
- 0 lb

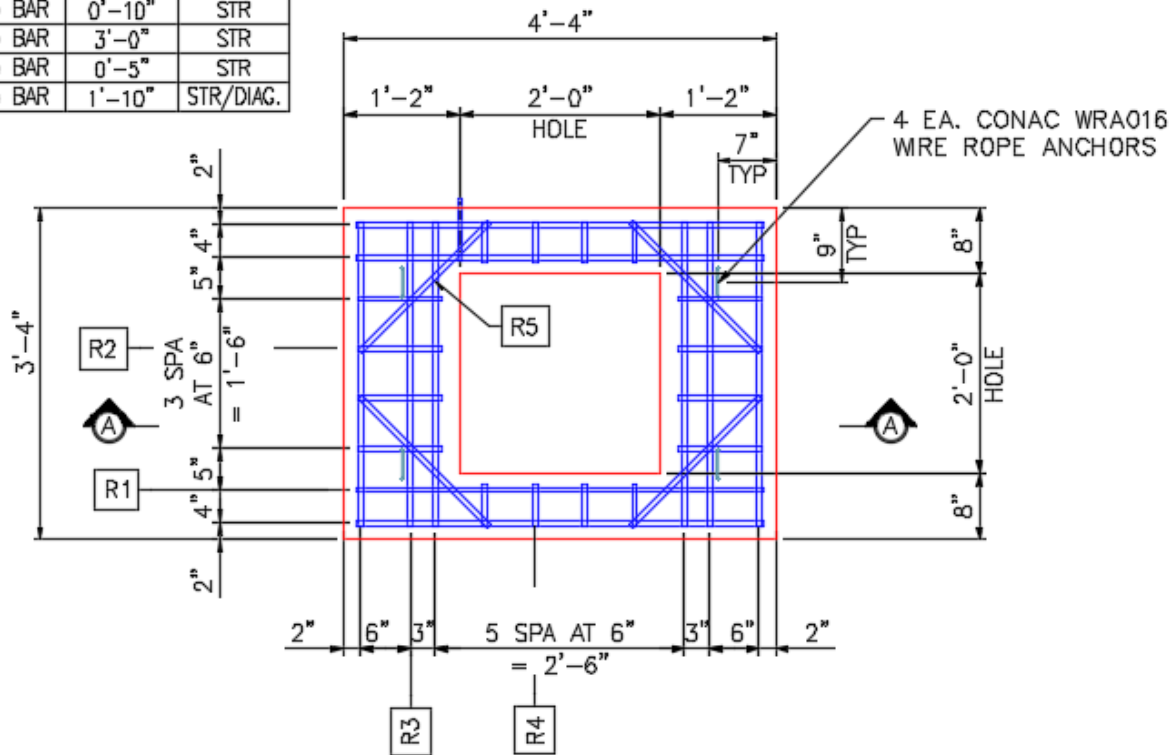
Structure Total: 9239 lb

Structure Notes:

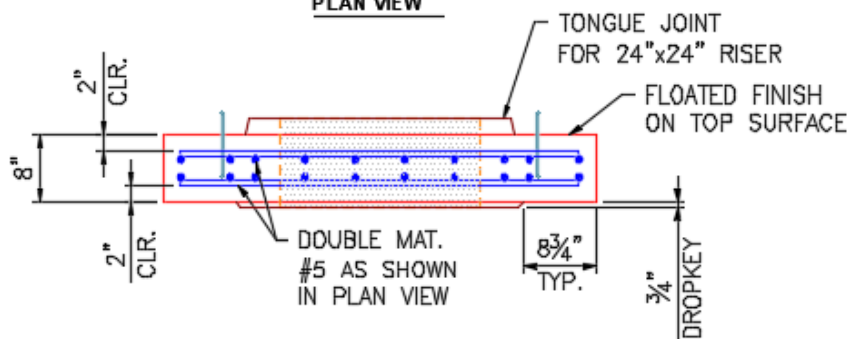
- \*\* KYTC STATE PROJECT \*\*
- 1. PER KYTC CBI TYPE B / ASTM C913 SPEC'S.
- 2. CONCRETE = 4,000 PI AT 28 DAYS.
- 3. NO STEPS & NO INVERT CHANNEL.
- 5. CBI KY B F/G - BY OTHERS.

- REINFORCING PER ASTM A615 (GRADE 60).
- TOP PHASE (As .62) #5 BARS AT 6" C.C.E.W.
  - WALLS (As .31) #5 BARS AT 12" C.C.E.W.
  - FLOOR (As .31) #5 BARS AT 12" C.C.E.W.

| REINFORCEMENT CUT LIST |     |          |        |           |
|------------------------|-----|----------|--------|-----------|
| BAR                    | QTY | MATERIAL | LENGTH | SHAPE     |
| R1                     | 8   | #5 BAR   | 4'-0"  | STR       |
| R2                     | 16  | #5 BAR   | 0'-10" | STR       |
| R3                     | 12  | #5 BAR   | 3'-0"  | STR       |
| R4                     | 16  | #5 BAR   | 0'-5"  | STR       |
| R5                     | 4   | #5 BAR   | 1'-10" | STR/DIAG. |



**PLAN VIEW**



**SECTION "A-A"**

Coating (Int):  
 Coating (Ext):

Seam Up: Tongue  
 Seam Dn: Flat

Wall Thickness: 8"

Height (Ext): 8"

Weight (Net): 1010 lb  
 Volume (Net): 0.26cu.yd