

Structure ID: 063 (KY B 10ft)

P1 BX2424-08BAVF BOX BASE 8inW, 8inF, Variable Ht F/n

P4) 8" x 120" - CB INLET KY B 10' TOP F/G - 9" P3) 24" x 120" - CB INLET KY B 10' BOTTOM LEFT T/G - 17" P2) 24" x 24" - FIELD ADJUSTMENT - 3" P1) 24" x 24" - BOX BASE 8inW, 8inF, Variable Ht F/n - 51" 2) 24" x 24" - Conseal CS-102 1.00" 2) Hole - 22 1) Hole - 6	1660 lb 2650 lb 0 lb 4927 lb 0 lb 0 lb 0 lb ----- Structure Total: 9237 lb
---	--

Structure Notes:
 ** KYTC STATE PROJECT **
 1. PER KYTC CBI TYPE B / ASTM C913 SPEC'S.
 2. CONCRETE = 4,000 PI AT 28 DAYS.
 3. NO STEPS & NO INVERT CHANNEL.
 5. CBI KY B F/G - BY OTHERS.

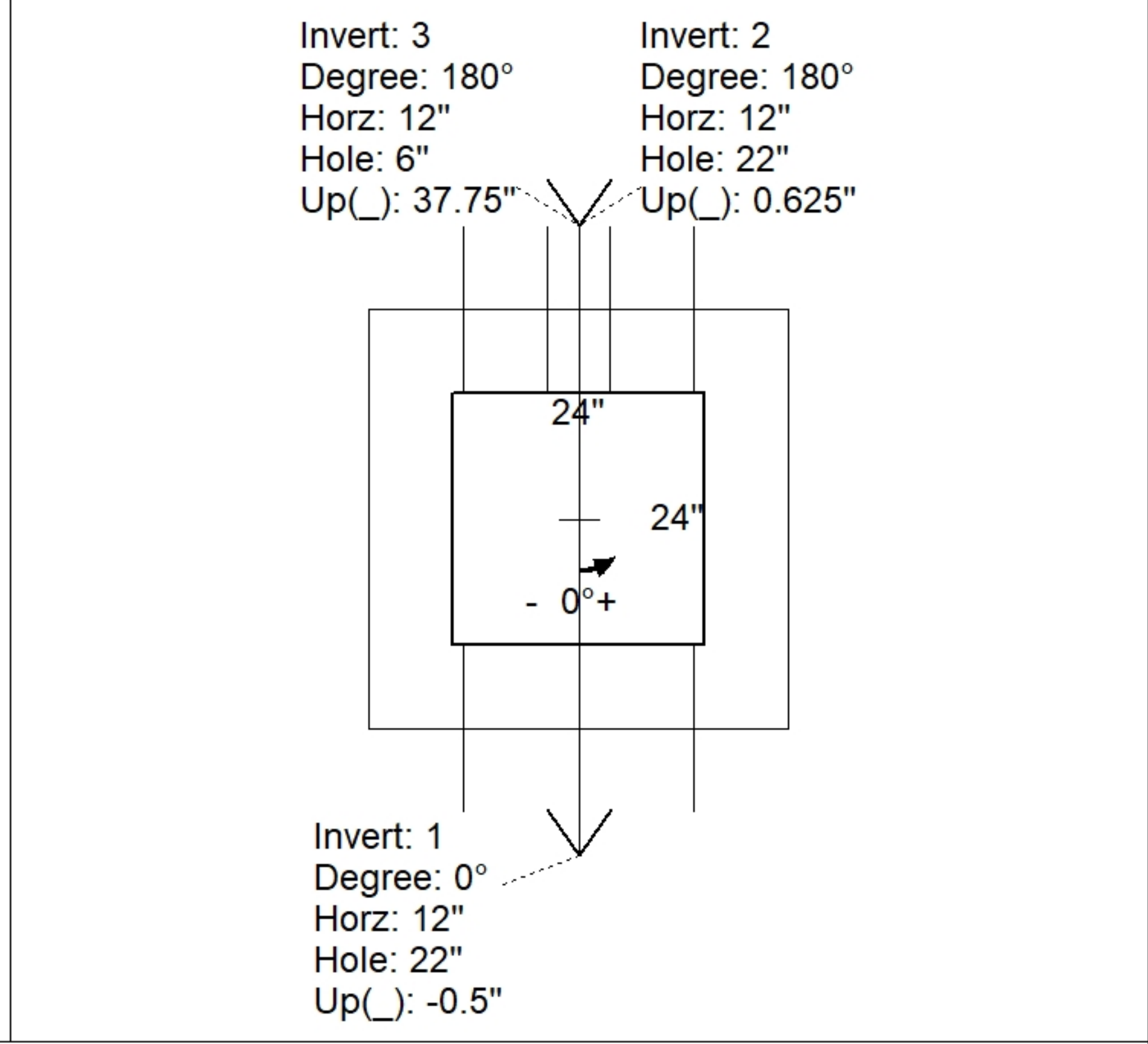
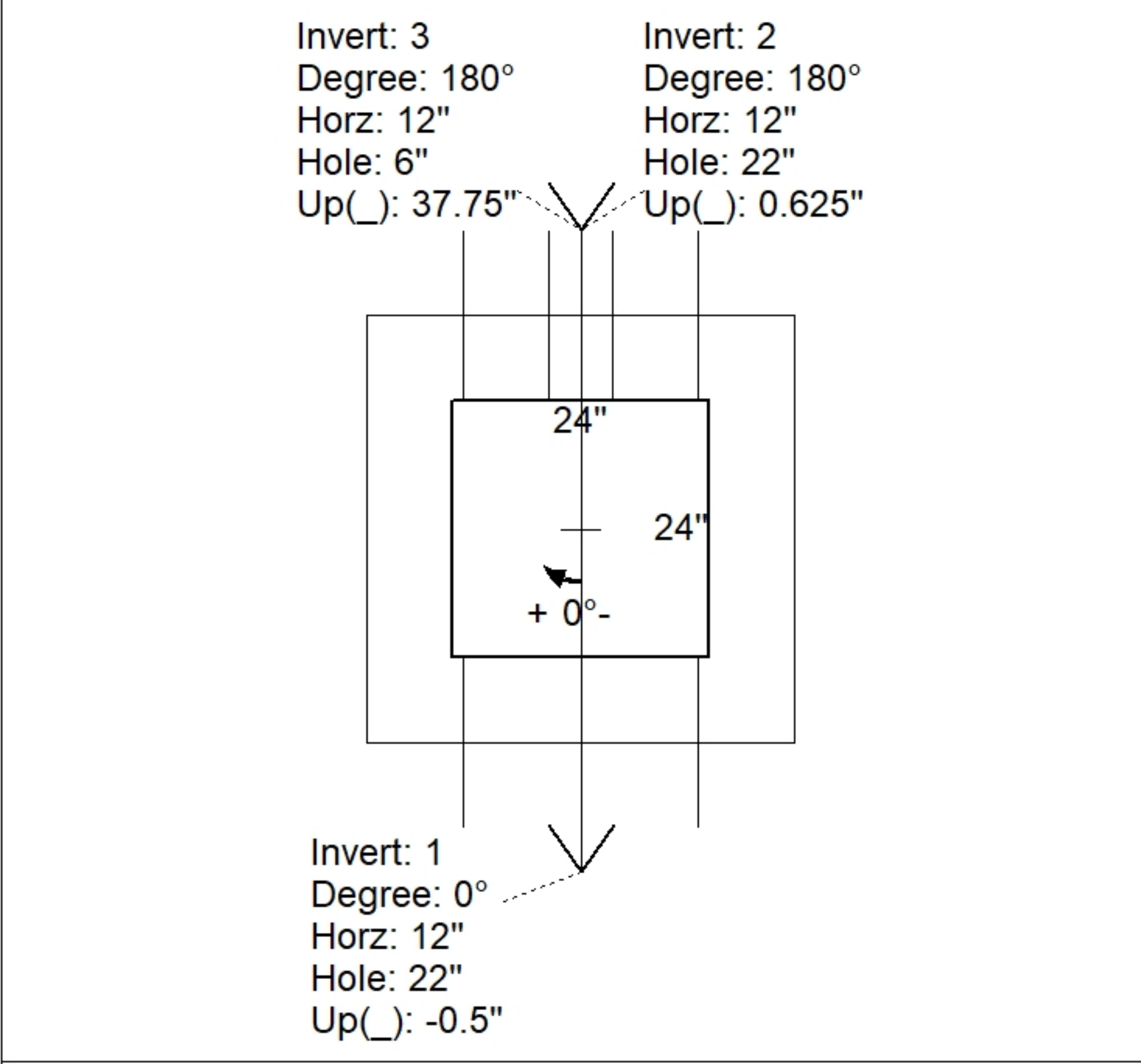
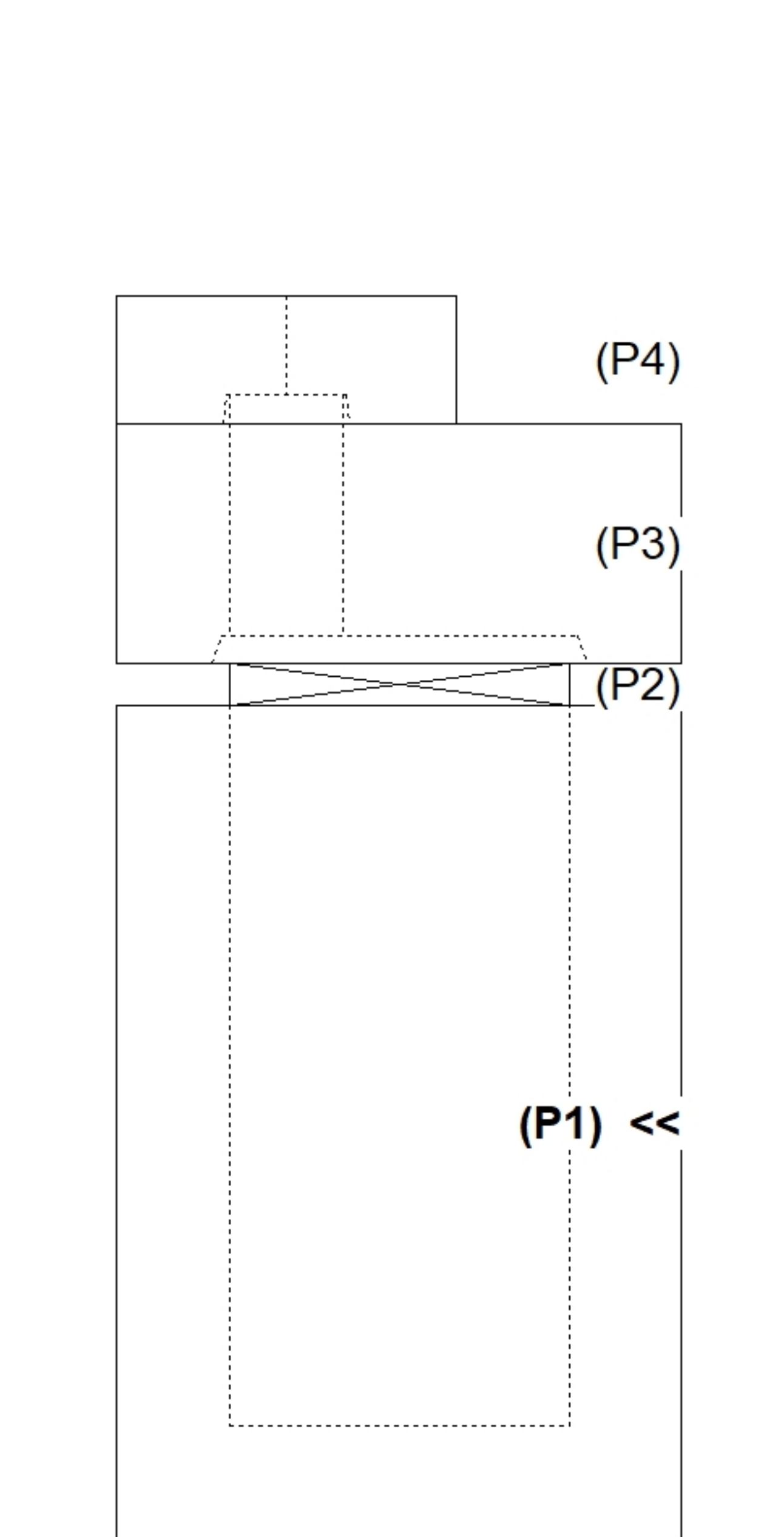
REINFORCING PER ASTM A615 (GRADE 60).
 - TOP PHASE (As .62) #5 BARS AT 6" C.C.E.W.
 - WALLS (As .31) #5 BARS AT 12" C.C.E.W.
 - FLOOR (As .31) #5 BARS AT 12" C.C.E.W.

Rim: 425.55' Rim to Invert: 6.73' Slack: 0.76" Sump: 0" Step Position:

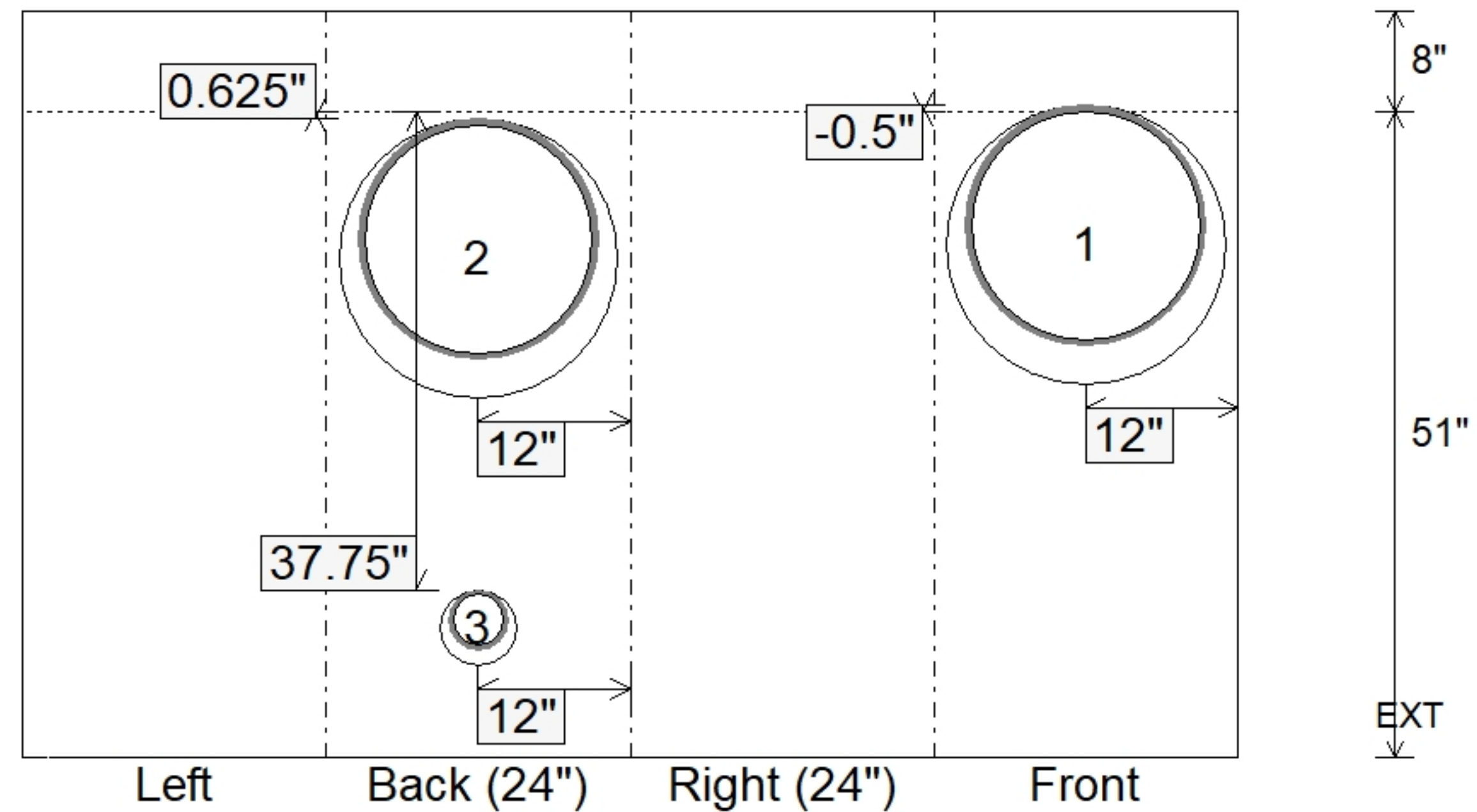
Position	Elev	Angle	Ext. (cw)	Pipe	Pipe OD	Connector	Hole	Horz Size	Up ()	Offset
Invert 1	418.82'	0°	20"	18" CMP	19"	Hole 22	22"	22"	-0.5"	0"
Invert 2	418.91'	180°	20"	18" CMP	19"	Hole 22	22"	22"	0.625"	0"
Invert 3	422'	180°	20"	4" HDPE (perf pipe)	4.8"	Hole 6	6"	6"	37.75"	0"
Invert 4										
Invert 5										
Invert 6										
Invert 7										
Invert 8										

RIGHT-SIDE UP VIEW (int. dimensions)

UPSIDE-DOWN VIEW (int. dimensions)



INSIDE WALL DIMENSIONS



Coating (Int): Coating (Ext):	Seam Up: Flat Seam Dn: n/a	Wall Thickness: 8" Floor Height: 8"	Height (Int): 51" Height (Ext): 59"	Weight (Net): 4927 lb Volume (Net): 1.26cu.yd
----------------------------------	-------------------------------	--	--	--