

Job Name: 23-1541E Springfield Water Connect
Job Location: Perryville, KY
Contractor: Weddle Enterprises, Inc

PC: C. Goff
 TECH: J. Coppage
 Plant: Beaver Dam



Structure ID: **Riser**
 Spec: Sanitary
 Type: SAN.MH
 Size: 48"

Rim: 6'
 Invert: 1.521'
 Rim to Invert: 4.479'

Sump: 0"
 Floor (Top): 0"
 Floor Height: 0"

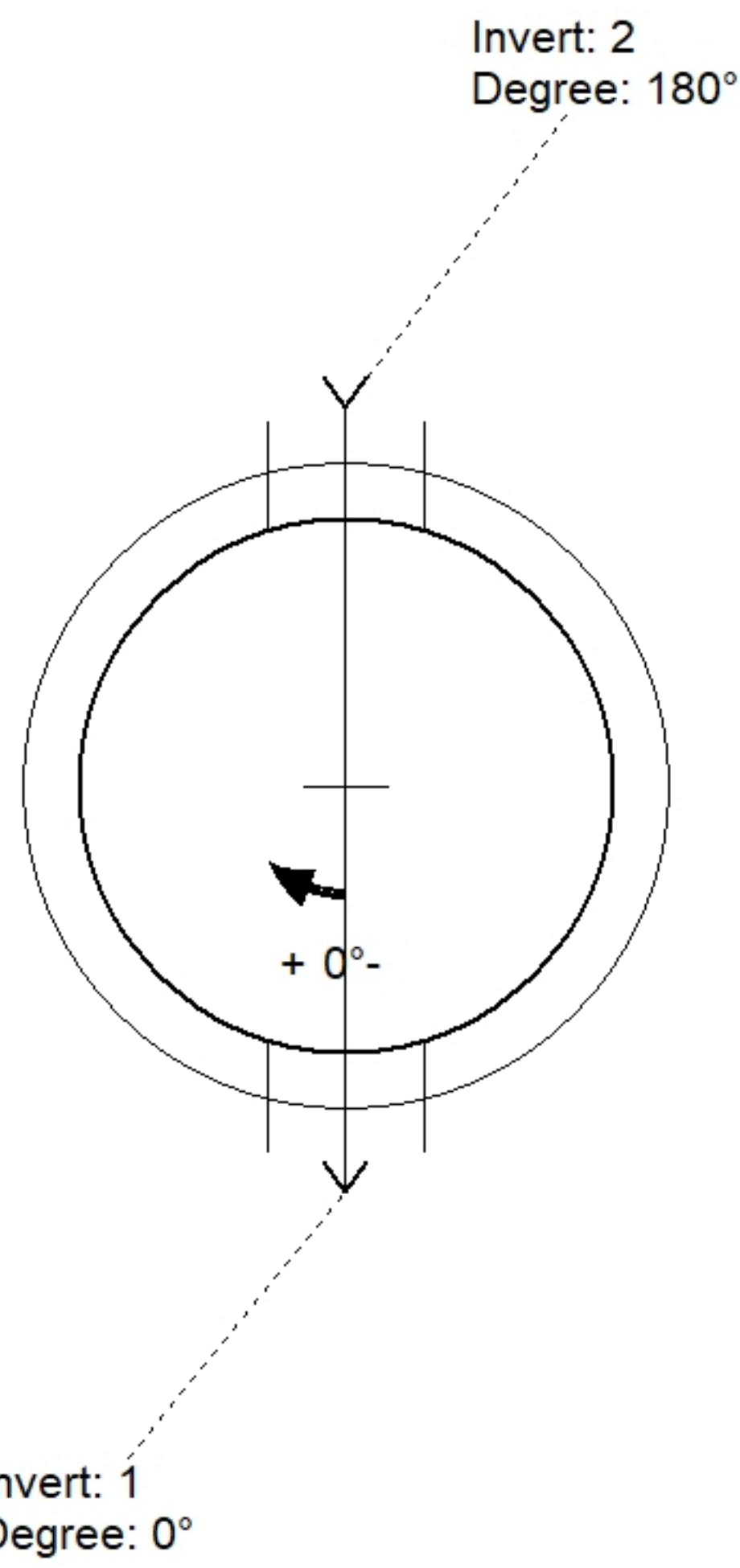
Floor (Bot): 0'
 Overall Height: 6'
 Slack: 0"

Structure Notes:

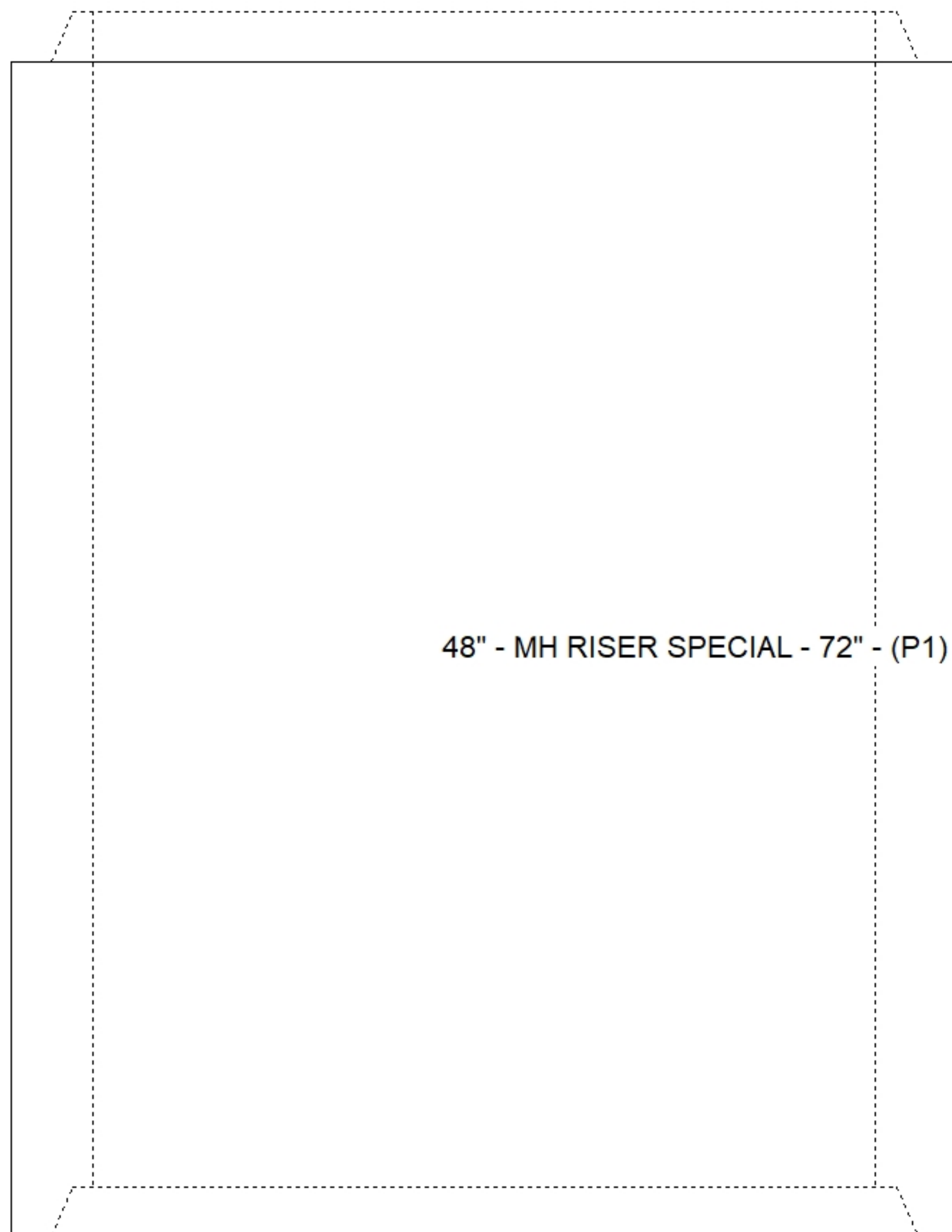
1. PER ASTM C478 SPECIFICATIONS.
2. CONCRETE = 4,000 PSI AT 28 DAYS.
3. REINFORCING PER ASTM A615 (GRADE 60).
 - CONE (As .12)
 - RISER/WALLS (As .12)
 - FLOOR (As .31) #5 BARS AT 12" C.C.E.W.

STRUCTURE SUMMARY:

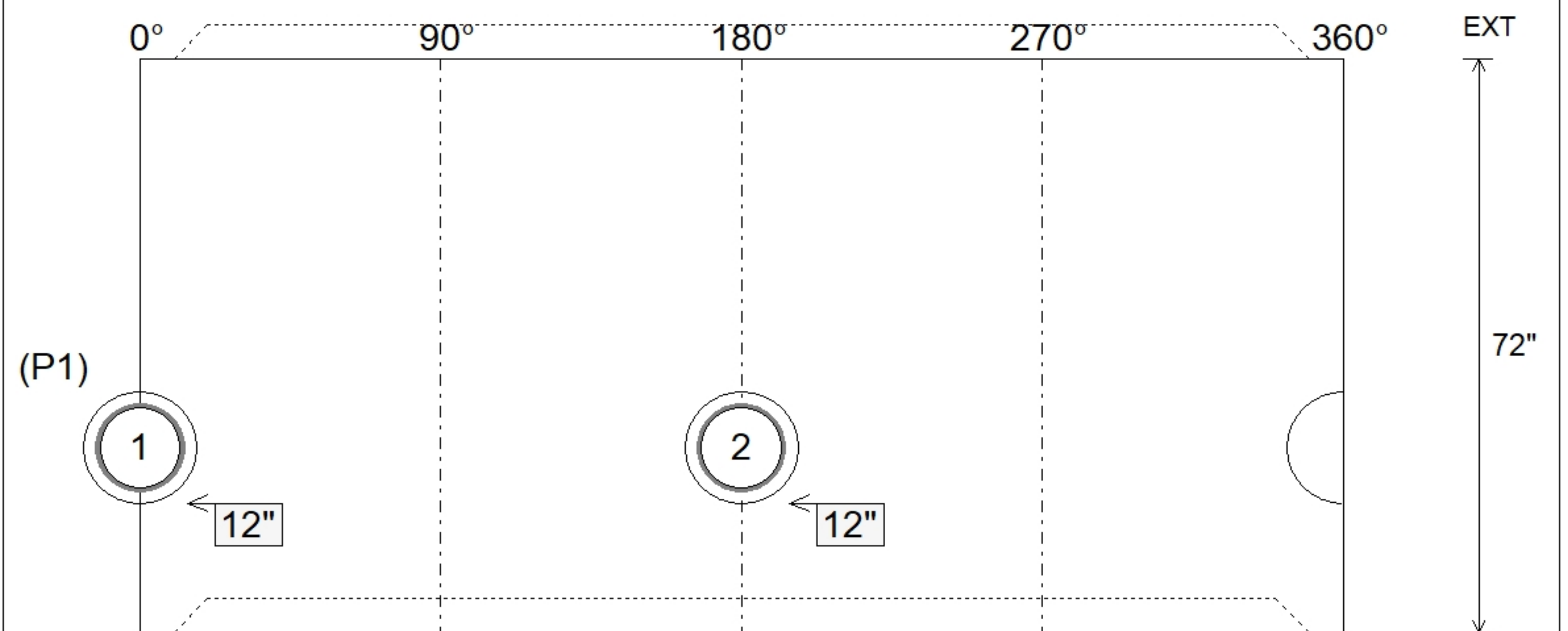
P1) 48" - MH RISER SPECIAL - 72"	4899 lb
1) 48" - DBL 1"x14.5' Butyl (2x)	0 lb
2) PSX - 14M DD	15 lb
Structure Total:	4914 lb



Position	Elev	Angle	Pipe	Pipe OD	Hole	Connector	Up (")	Ref
Rim	6'							
Reducer								
Invert 1	1.521'	0°	10" DI	11.1"	14"	PSX 14M DD	12"	P1
Invert 2	1.521'	180°	10" DI	11.1"	14"	PSX 14M DD	12"	P1
Invert 3								
Invert 4								
Invert 5								
Invert 6								
Invert 7								
Invert 8								



Default - Interior Dimensions



Submittal Drawing
 10/21/2025 9:25:29 AM

SUBMITTAL
 APPROVED BY: