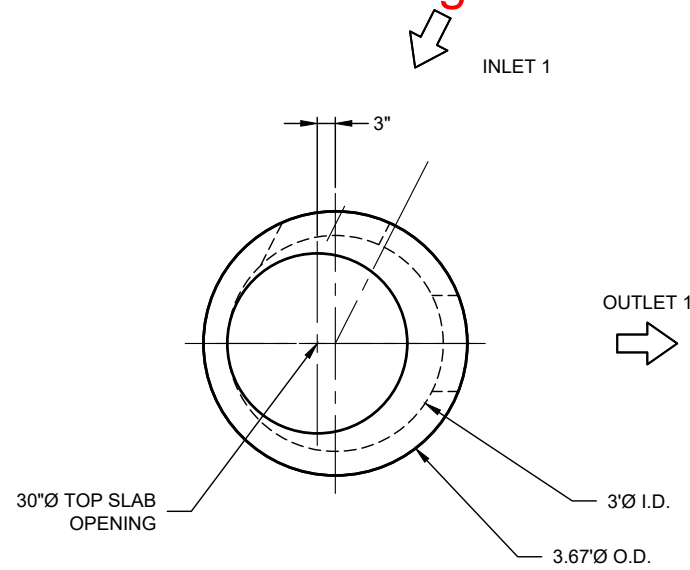
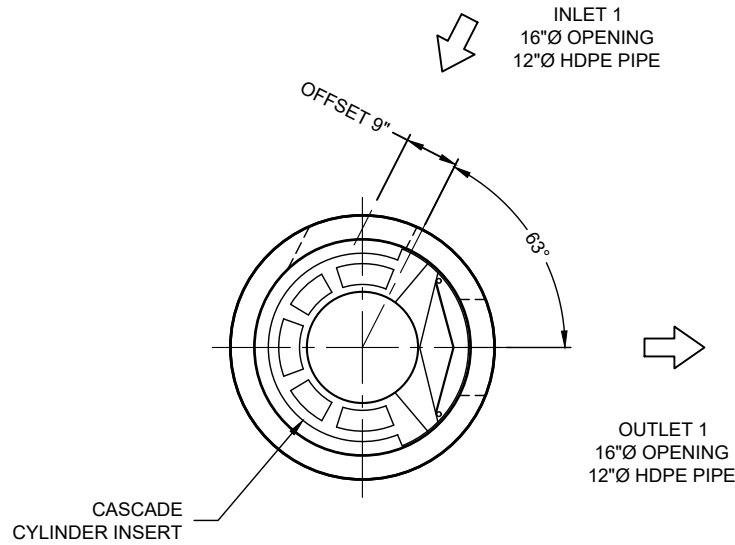


# 26-2124 833344 The Kingdom Center



**PLAN VIEW**  
INTERNALS NOT SHOWN



**PLAN VIEW FOR PIPE ORIENTATION**  
TOP SLAB NOT SHOWN

SEE INSTALLATION NOTE A

## MATERIAL LIST

COUNT	DESCRIPTION	PART NUMBER	PROVIDED BY	INSTALLED BY
1	CS-3 CYLINDER INSERT, STD.	325-004190	CONTECH	PRECASTER
3	CS-3 ALUMINUM INSTALLATION BRACKETS	325-003956	CONTECH	PRECASTER
1	CS-3 HARDWARE KIT	325-003955	CONTECH	PRECASTER
1	SEALANT FOR JOINTS		PRECASTER	CONTRACTOR
1	30"Ø X 4" FRAME AND COVER, EJ #41600483, OR EQUIV.	325-000332	CONTECH	CONTRACTOR

## GENERAL NOTES

- DESIGN LOADING - AASHTO HS-20
- ALL PRECAST CONCRETE MANUFACTURED PARTS SHALL CONFORM TO ASTM C-478, WITH MINIMUM CONCRETE STRENGTH OF 4000 PSI AT 28 DAYS
- JOINT SEALANT SHALL CONFORM TO ASTM C-990 OR ASTM C-443
- GROUND WATER ELEVATION ASSUMED AT OUTLET INVERT
- MANUFACTURING TOLERANCE = +/- 1/2-INCH
- SOME HIDDEN LINES MAY BE OMITTED FOR CLARITY

## INSTALLATION NOTES

- PRECASTER TO SHIP ACCESS CASTINGS WITH STRUCTURE
- REFER TO CONTECH ASSEMBLY INSTRUCTIONS FOR ADDITIONAL INFORMATION.
- PRECASTER TO INSTALL INTERNAL COMPONENTS PRIOR TO SHIPPING UNLESS INSTRUCTED OTHERWISE BY CONTECH
- PIPE OPENINGS SHALL BE STENCILED "INLET" OR "OUTLET" AS APPROPRIATE
- APPLYING ALIGNMENT MARKS ON ALL PIECES OF MULTIPLE PIECE ASSEMBLIES IS ENCOURAGED
- IF STRUCTURE IS DELIVERED IN MULTIPLE SECTIONS, EACH PIECE SHALL BE LABELED WITH THE CONTECH PROJECT NUMBER, SEQUENCE NUMBER AND SITE DESIGNATION

## SITE INFORMATION

RIM ELEV. = 745.39+/-  
 TOP OF STRUCTURE = 744.82  
 INLET PIPE 1 INVERT ELEV. = 742.20  
 INLET PIPE 1 DIAMETER AND MATERIAL = 12"Ø HDPE  
 OUTLET PIPE INVERT ELEV. = 742.20  
 OUTLET PIPE DIAMETER AND MATERIAL = 12"Ø HDPE  
 OUTSIDE BOTTOM OF STRUCTURE ELEV. = 738.53

## STRUCTURE WEIGHT

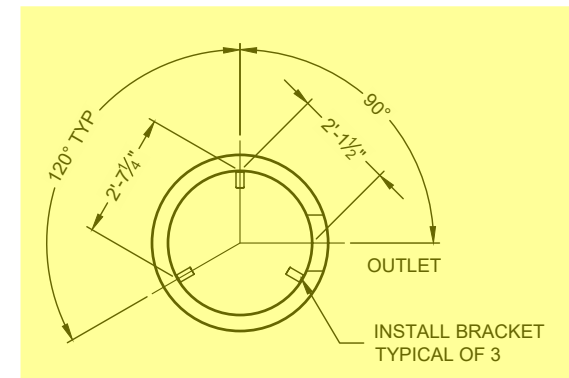
APPROXIMATE HEAVIEST PICK = 2500 LBS.  
 STRUCTURE IS DELIVERED IN 3 PIECES

TOP SLAB = 1000 LBS.  
 CONTROL RISER = 2500 LBS.  
 BASE SECTION = 1500 LBS.

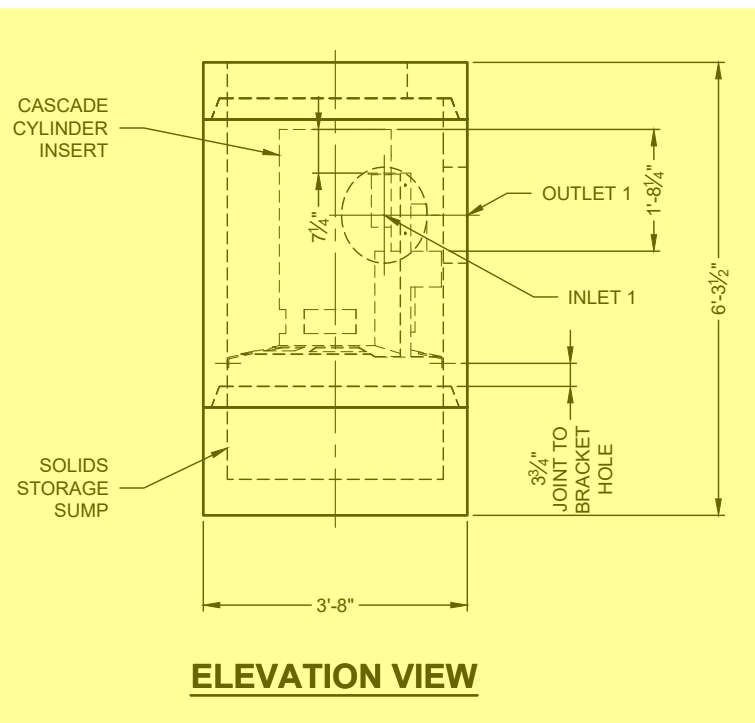
CONTECH  
**FABRICATION**  
 DRAWING

ICAST  
 5888 / 757440  
 LAYOUT 1A  
 1.92TS

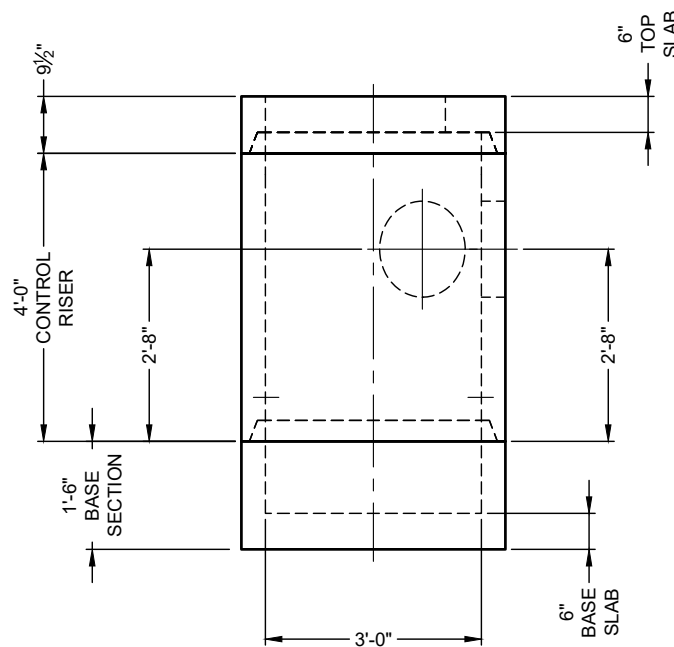
## SUPPORT BRACKET LAYOUT PLAN VIEW



**10-CS-3**  
 ICAST to fully pre-assemble internal materials prior to shipment



**ELEVATION VIEW**



**PRECAST COMPONENTS**  
 INTERNALS NOT SHOWN

The design and information shown on this drawing is the property of CONTECH Construction Products, Inc. or one of its affiliated companies ("CONTECH"). Neither this drawing, nor any part thereof, may be used, reproduced, or transmitted in any form or by any means, electronic or mechanical, including photocopying, recording, or by any information storage and retrieval system, without the prior written consent of CONTECH. Failure to comply with these terms and conditions shall constitute a breach of contract and shall constitute a disclaimer of any liability or responsibility for such use. If discrepancies between the supplied information upon which the drawing is based and actual field conditions are encountered at site work progress, these are to be immediately reported to CONTECH. CONTECH accepts no liability for designs based on missing, incomplete or inaccurate information supplied by others.

MARK	DATE	REVISION DESCRIPTION	BY

CS-3 - 833344-10  
 THE KINGDOM CENTER  
 LOUISVILLE, KY  
 SITE DESIGNATION: #8 WQU

**CONTECH**  
 ENGINEERED SOLUTIONS LLC  
 A CONTECH COMPANY  
 810 Centre Pointe Dr., Suite 400, West Chester, OH 45380  
 800.338.1122 513.645.7000 513.645.7803 FAX  
**CASCADE separator**  
 FOR PATENT INFORMATION, GO TO www.contech.com/IP

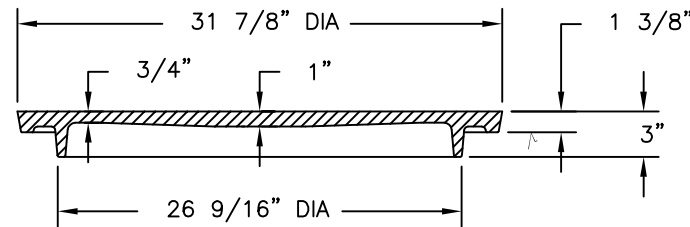
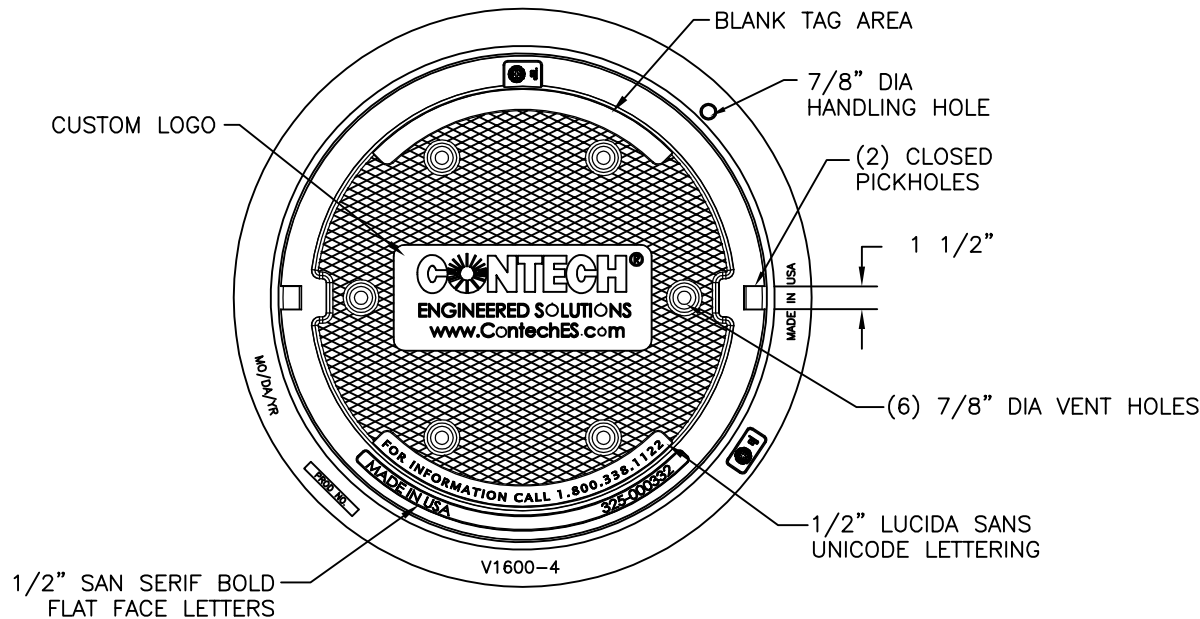
DATE: 4/7/2026

DESIGNED: MDB	DRAWN: MDB
CHECKED: PNK	APPROVED: MDB
PROJECT No.: 833344	SEQUENCE No.: 10
SHEET: 1	OF 1

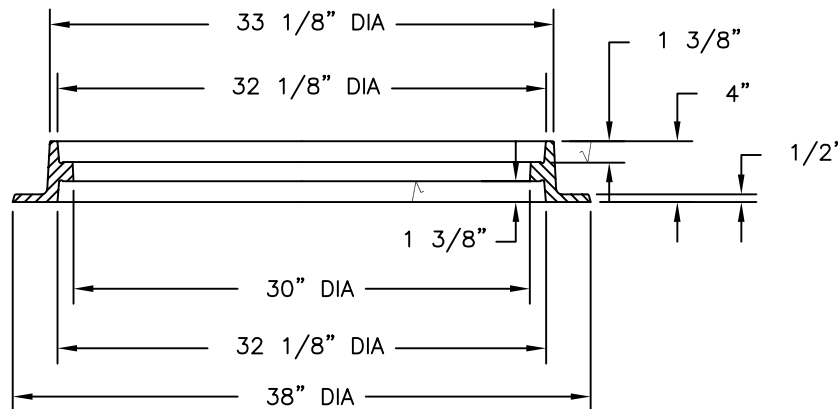
C:\USERS\MICHAEL.BEAVER\ONEDRIVE - THE QUIKRETE COMPANIES\DYNAMICS\865 - CONTECH - PROJECTS\833344\PRODUCTS\10-CASCADE 3\DRAWINGS\833344-10-CS-3-CONFAB.DWG 4/15/2026 4:26 PM

# 26-2124 833344 The Kingdom Center

## 1810B4 V1600-4 Assembly



**COVER SECTION**



**FRAME SECTION**

**Product Number**  
41600483

**Design Features**

- Materials
  - Cover  
Gray Iron (CL35B)
  - Frame  
Gray Iron (CL35B)
- Design Load  
Heavy Duty
- Open Area  
n/a
- Coating  
Undipped
- √ Designates Machined Surface

**Certification**

- ASTM A48
- Country of Origin: USA

**Major Components**

00180783  
41600410

**Drawing Revision**

05/09/2007 Designer: SMH  
6/26/2017 Revised By: DAE

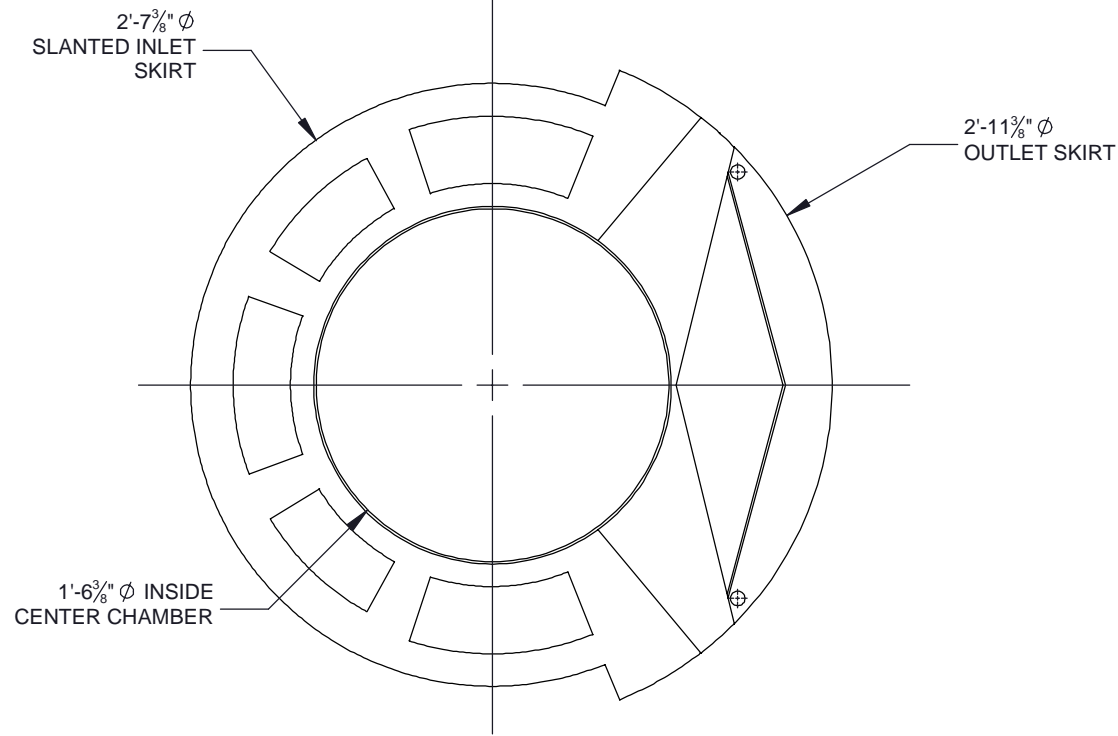
**Disclaimer**

Weights (lbs./kg) dimensions (inches/mm) and drawings provided for your guidance. We reserve the right to modify specifications without prior notice.

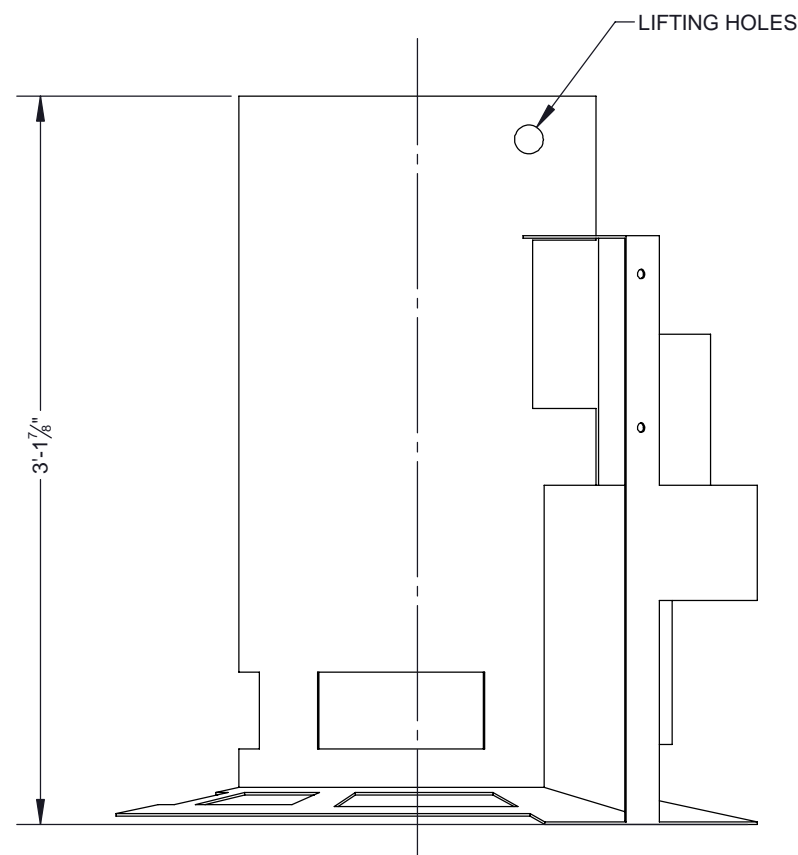
CONFIDENTIAL: This drawing is the property of EJ GROUP, Inc., and embodies confidential information, registered marks, patents, trade secret information, and/or know how that is the property of EJ GROUP, Inc. Copyright © 2012 EJ GROUP, Inc. All rights reserved.

**Contact**

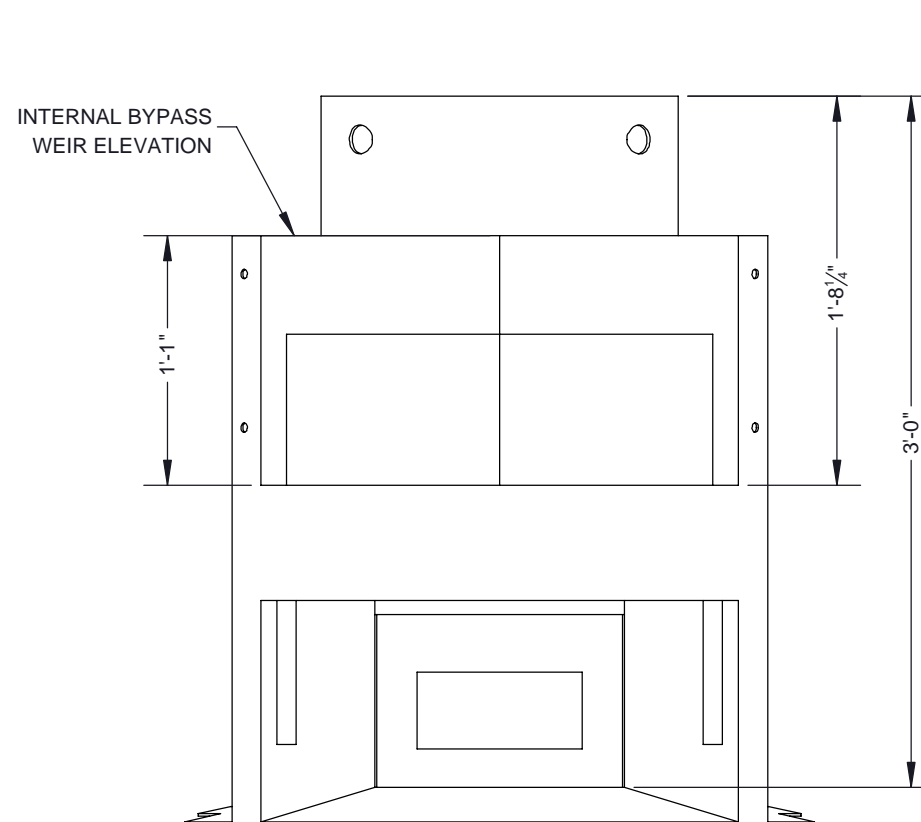
800 626 4653  
ejco.com



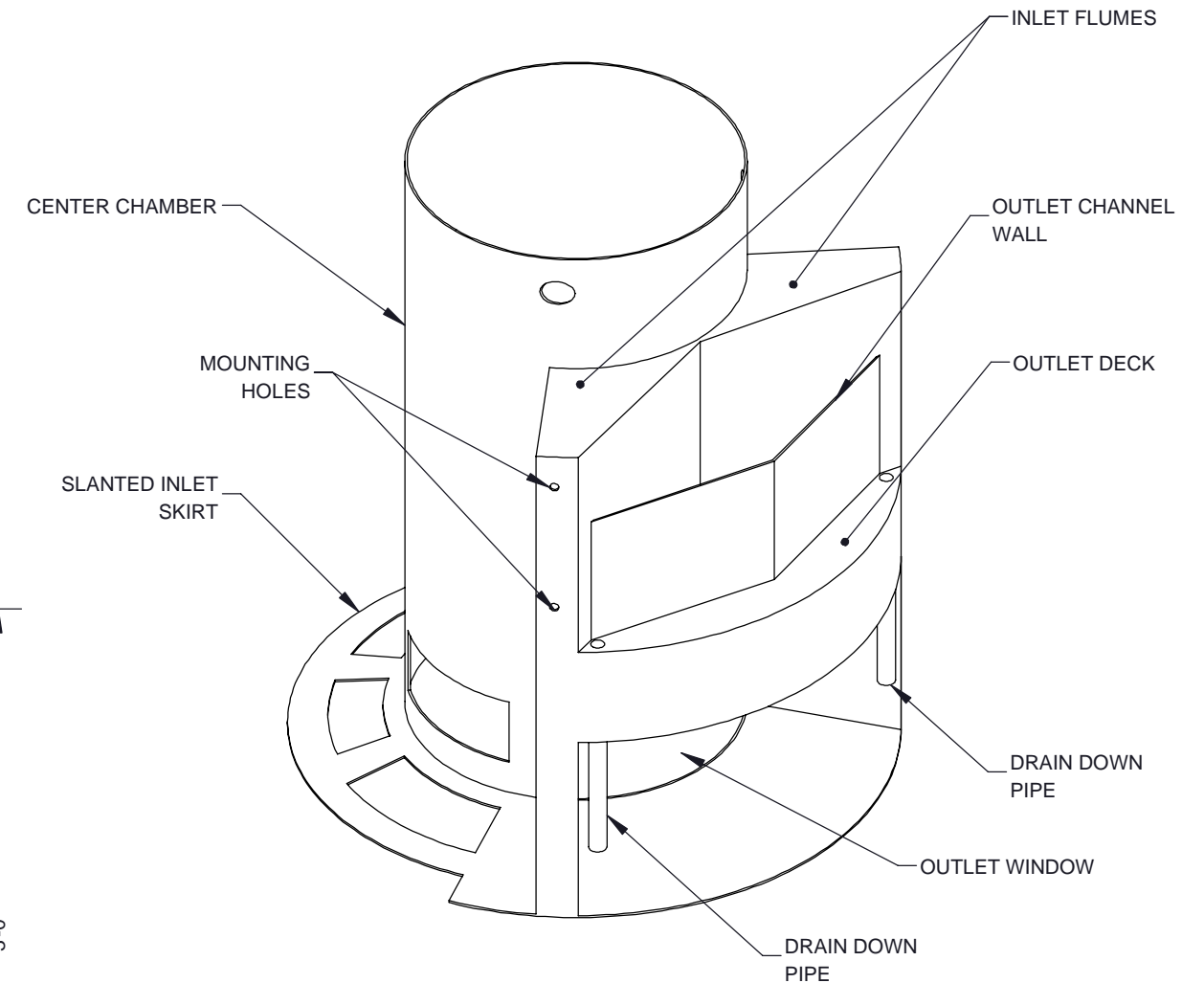
**PLAN VIEW**



**ELEVATION VIEW**



**ELEVATION VIEW: OUTLET SIDE**



**ISOMETRIC VIEW**

NOTES:  
1. SEE CASCADE SEPARATOR INSTALLATION GUIDE FOR ADDITIONAL INFORMATION

The design and information shown on this drawing is provided as a service to the project owner, engineer and contractor by Contech Engineered Solutions LLC, or one of its affiliated companies ("Contech"). Neither this drawing, nor any part thereof, may be used, reproduced or modified in any manner without the prior written consent of Contech. Failure to comply is done at the user's own risk and Contech expressly disclaims any liability or responsibility for such use.

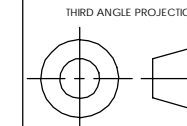
If discrepancies between the supplied information upon which the drawing is based and actual field conditions are encountered as site work progresses, these discrepancies must be reported to Contech immediately for re-evaluation of the design. Contech accepts no liability for designs based on missing, incomplete or inaccurate information supplied by others.

**CASCADE**  
separator™

**CONTECH**  
ENGINEERED SOLUTIONS LLC

www.ContechES.com  
9025 Centre Pointe Dr., Suite 400, West Chester, OH 45069  
800-338-1122 513-645-7000 513-645-7993 FAX

REFERENCE DETAIL  
INTERNALS ALUMINUM CS-3  
CASCADE SEPARATOR



UNLESS OTHERWISE SPECIFIED  
DIMENSIONS ARE IN INCHES

TOLERANCES:  
FRACTIONAL ± 1/16  
ANGLES ± 1 DEGREE  
TWO PLACE DECIMAL ± 0.06  
THREE PLACE DECIMAL ± 0.030

PART NUMBER: 325-004190		
APPROVED BY: M. BROOKS	DRAWN BY: J. BELL	
APPROVED BY DATE: 2021.10.21	DRAWN BY DATE: 2021.09.16	REV: A
SCALE: N/A	SHEET 1 OF 1	