

| | | | |
|---|----------------------|--------------------|--|
| Job Name: 26-1947 ADS Fisher Park Drive | Plant: Beaver Dam | Tech: S. Felletter |  |
| Job Location: Louisville, KY Contractor: ADS Advanced Drainage Systems, Inc. | 4/20/2026 1:50:16 PM | PC: C. Goff | |

Structure ID: QL2

P3 MH036RSVF

MH RISER Custom Ht T/G

| | |
|--|---------|
| P5) 24" - CASTING HEIGHT - 7" | 0 lb |
| P4) 36" - MH FLAT TOP w/ 24" Ctr. Hole F/G - 10" | 896 lb |
| P3) 36" - MH RISER Custom Ht T/G - 47" | 1982 lb |
| P2) 36" - MH RISER T/G - 72" | 2898 lb |
| P1) 36" - MH BASE T/n - 18" | 1525 lb |
| 1) JOINT WRAP - 0.065"x6"x50' CONSEAL CS212 | 0 lb |
| 1) JOINT WRAP PRIMER - CONSEAL CS-75 (1 gal.) | 0 lb |
| 1) ASSEMBLY REQUIRED | 0 lb |
| 1) CASTING - HOE MC-375 F/C Storm | 271 lb |
| 3) 36" - Conseal CS-102 1.00" (Double) | 0 lb |
| 2) Hole - 16 | 0 lb |
| Structure Total: | 7572 lb |

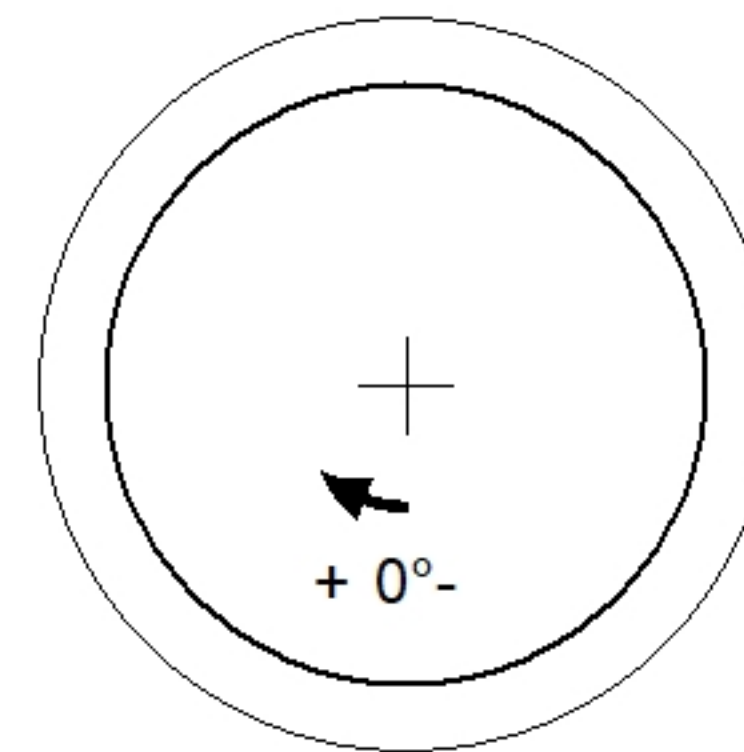
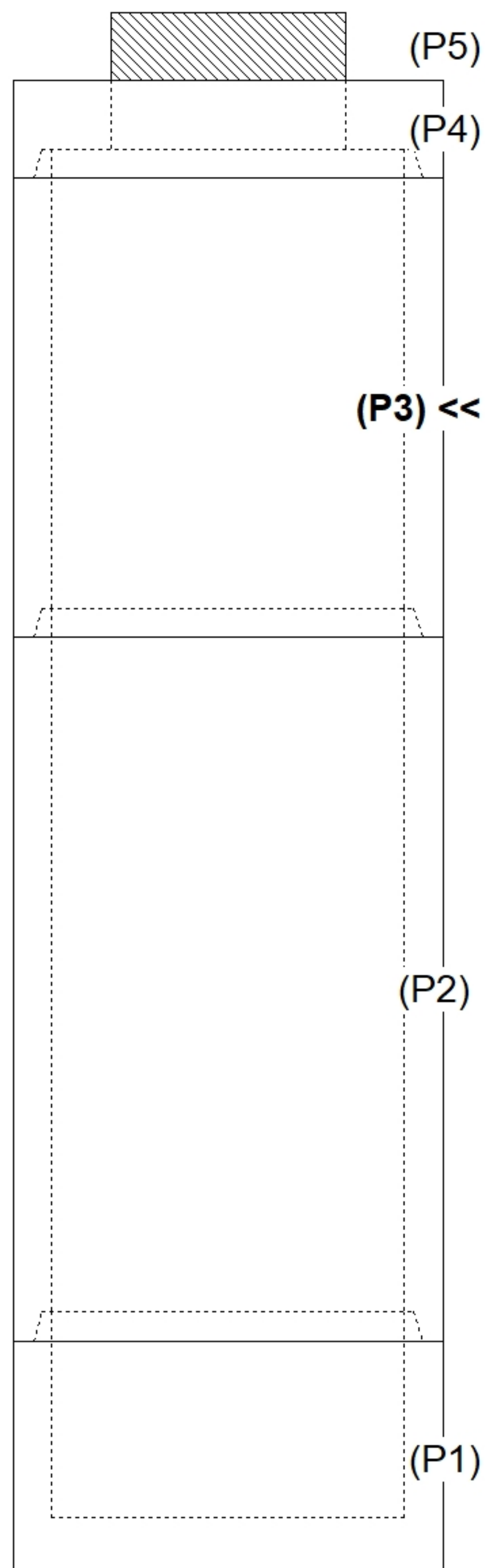
Structure Notes:
 1. PER ASTM C478 SPECIFICATIONS.
 2. CONCRETE = 4,000 PSI AT 28 DAYS.
 3. CASTING BY ICAST (HOE MC-375 F/C "STORM").

REINFORCING PER ASTM A615 (GRADE 60).
 - TOP SLAB (As .62) #5 BARS AT 6" C.C.E.W..
 - RISER/WALLS (As .12)
 - FLOOR (As .31) #5 BARS AT 12" C.C.E.W.

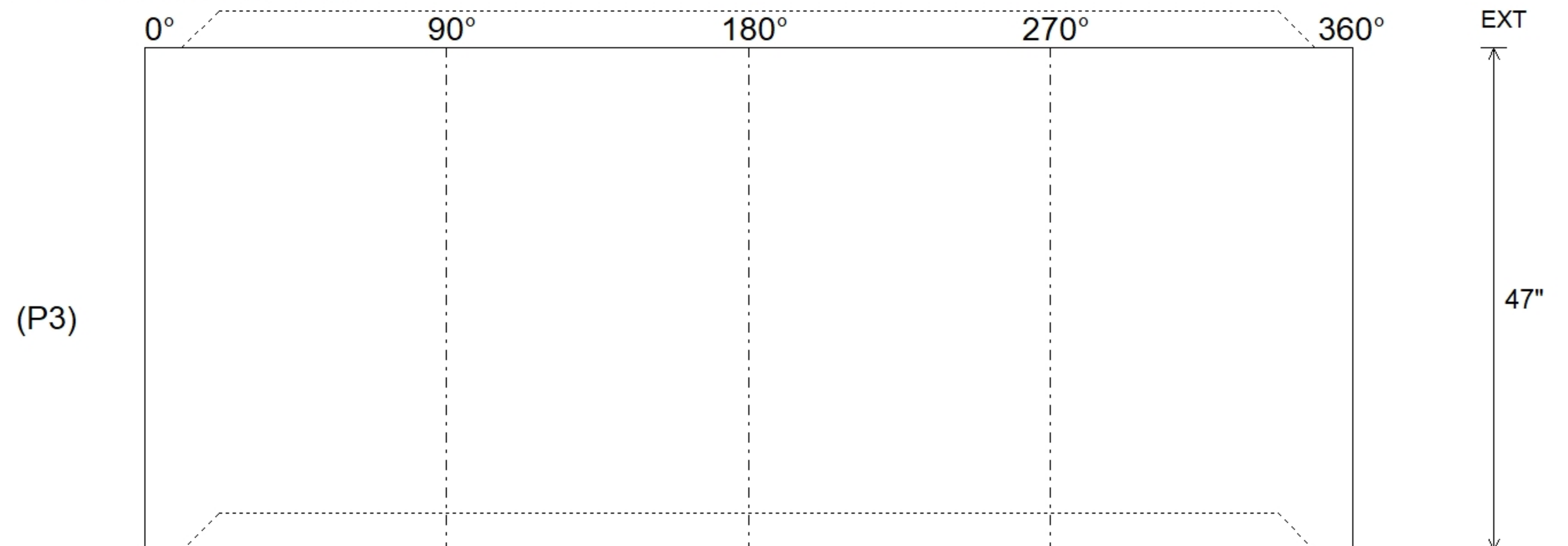
Rim: 679.22' Rim to Invert: 8.29' Slack: 0.44" Sump: 54.96" Step Position:

| Position | Elev | Angle | Ext. (cw) | Pipe | Pipe OD | Connector | Hole | Horz Size | Up (L) | Offset |
|----------|------|-------|-----------|------|---------|-----------|------|-----------|--------|--------|
| Invert 1 | | | | | | | | | | |
| Invert 2 | | | | | | | | | | |
| Invert 3 | | | | | | | | | | |
| Invert 4 | | | | | | | | | | |
| Invert 5 | | | | | | | | | | |
| Invert 6 | | | | | | | | | | |
| Invert 7 | | | | | | | | | | |
| Invert 8 | | | | | | | | | | |

RIGHT-SIDE UP VIEW (int. dimensions)



INSIDE WALL DIMENSIONS



| | | | | |
|----------------|-----------------|--------------------|-------------------|-------------------------|
| Coating (Int): | Seam Up: Tongue | Wall Thickness: 4" | Height (Int): 47" | Weight (Net): 1982 lb |
| Coating (Ext): | Seam Dn: Groove | Floor Height: 0" | Height (Ext): 47" | Volume (Net): 0.51cu.yd |