

Job Name: 26-1227 - Project Colt
 Job Location: Evansville, IN
 Contractor: Russell's Excavating

Plant: 100
 5/13/2026 1:00:11 PM

Tech: Jared - F
 PC: A. Chambers



Structure ID: 108-18 MHK

P4 MH048LD07-24X36RECT

MH FLAT TOP w/24"x36" Hole F/F

- P5) 24" x 36" - CASTING HEIGHT - 4"
- P4) 48" - MH FLAT TOP w/24"x36" Hole F/F - 7"
- P3) 48" - MH RISER Custom Ht F/G - 23"
- P2) 72" - MH Transition Slab 48" Hole T/G - 15"
- P1) 72" - MH BASE Custom Ht T/n - 62"
- 1) CASTING - HOE 518 F/G
- 1) 72" - Conseal CS-102 1.00"
- 2) 48" - Conseal CS-102 1.00"
- 1) 24" x 36" - Conseal CS-102 1.00"
- 2) Hole - 50
- 2) Hole - 6
- 8) MH Step ML-10-TDS-NCR - 10"

0 lb
 1044 lb
 1583 lb
 3864 lb
 10432 lb
 354 lb
 0 lb
 0 lb
 0 lb
 0 lb
 0 lb
 0 lb
 0 lb

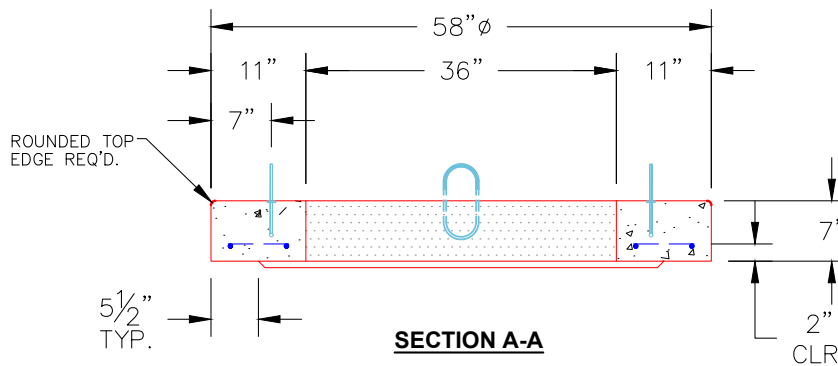
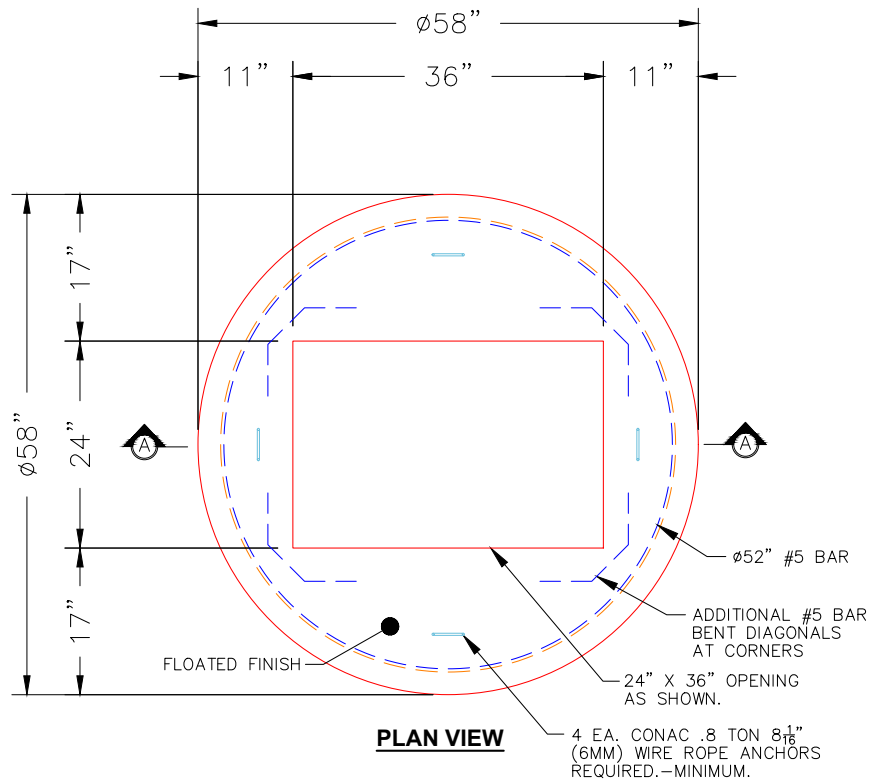
 Structure Total: 17278 lb

Structure Notes:

1. INDOT MH TYPE K / ASTM C478 SPEC'S.
2. CONCRETE = 4,000 PSI AT 28 DAYS.
3. NO INVERT CHANNEL.
4. CASTING BY ICAST (HOE 518 F/G).

REINFORCING PER ASTM A615 (GRADE 60).

- TOP SLAB (As .62) #5 BARS AT 6" C.C.E.W..
- RISER/WALLS (As .12)
- TRANS. SLAB (As .62) #5 BARS AT 6" C.C.E.W..
- RISER/WALLS (As .18)
- FLOOR (As .37) #5 BARS AT 10" C.C.E.W.



NOTES:

1. MANUFACTURED TO ASTM C-478 (LATEST REVISION).
2. CONCRETE: 4,000 PSI AT 28 DAYS.
3. REINFORCING: #5 BAR @ 6" O.C. E.W. (GRADE 60).

Coating (Int): Coating (Ext):	Seam Up: Flat Seam Dn: Flat	Wall Thickness: 5"	Height (Ext): 7"	Weight (Net): 1044 lb Volume (Net): 0.27cu.yd
----------------------------------	--------------------------------	--------------------	------------------	--