

Job Name: 25-4279 - KYTC Christian Co (251031)	Plant: 100	Tech: Jared- F	
Job Location: Hopkinsville, KY Contractor: CITCO Water	5/8/2026 11:23:27 AM	PC: C. Goff	

**Structure ID: 85+24 ARV**

**P2 MH048DHVF**

**MH DH RISER Custom Ht T/F**

P4) 24" - CASTING HEIGHT - 7"	0 lb
P3) 48" - MH FLAT TOP w/ 24" ECC Hole F/G - 12"	1561 lb
P2) 48" - MH DH RISER Custom Ht T/F - 35"	2360 lb
P1) 48" - P.I.P. BY OTHERS - BTM SLAB F/n - 0"	0 lb
1) JOINT WRAP - 0.065"x6"x50' CONSEAL CS212	0 lb
1) JOINT WRAP PRIMER - CONSEAL CS-75 (1 gal.)	0 lb
2) 48" - Conseal CS-102 1.00" (Double)	0 lb
1) DOGHOUSE - 8"x8"	0 lb
1) DOGHOUSE - 8"x10"	0 lb
<b>Structure Total:</b>	<b>3921 lb</b>

**Structure Notes:**

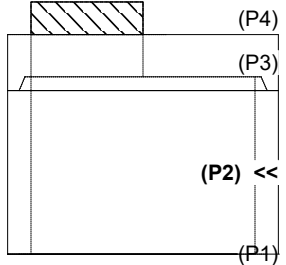
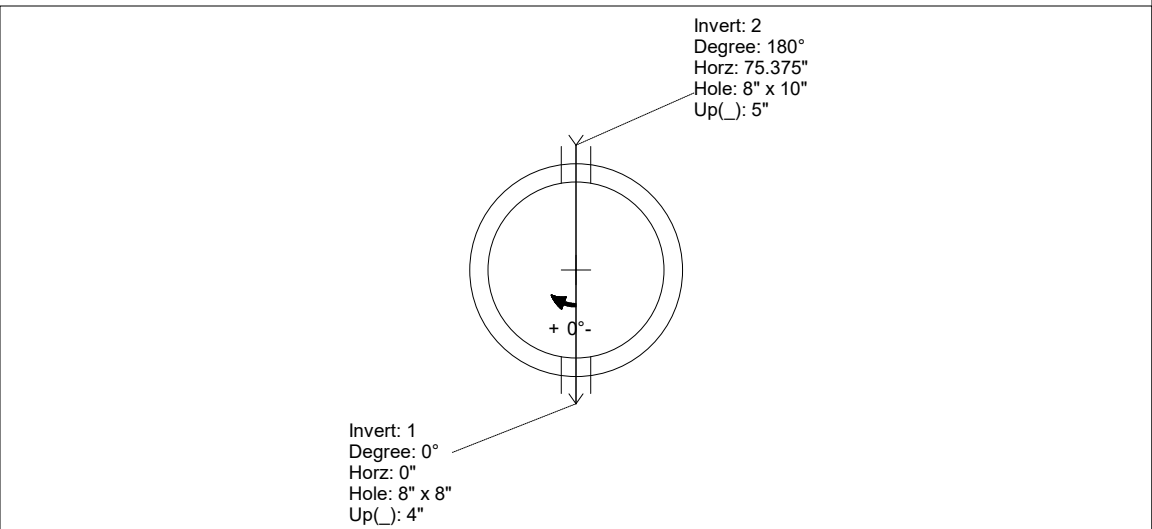
- PER ASTM C478 SPECIFICATIONS.
- CONCRETE = 4,000 PSI AT 28 DAYS.
- NO STEPS.
- CASTING SUPPLIED BY OTHERS.

REINFORCING PER ASTM A615 (GRADE 60).  
 - TOP SLAB = H2O LOADING.  
 - RISER/WALLS (As .12)

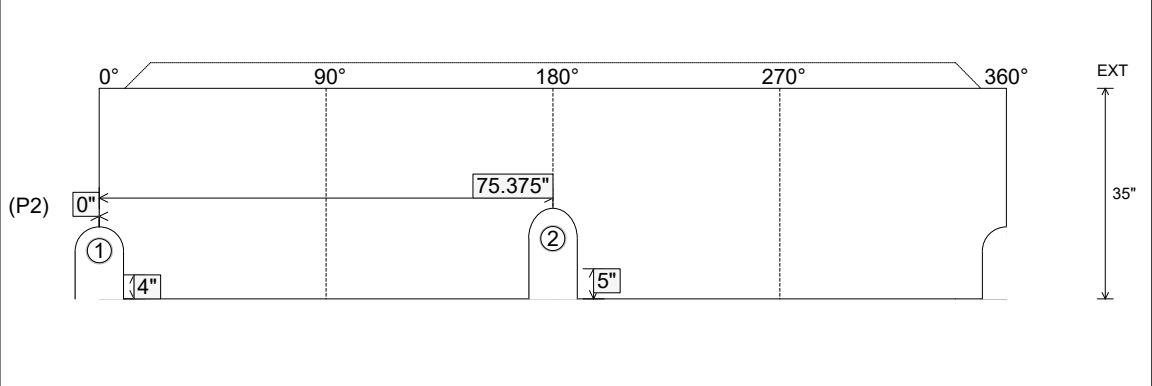
Rim: 537.34'	Rim to Invert: 4.08'	Slack: 0.96"	Sump: 6"	Step Position:
--------------	----------------------	--------------	----------	----------------

Position	Elev	Angle	Ext. (cw)	Pipe	Pipe OD	Connector	Hole	Horz Size	Up ( )	Offset
Invert 1	533.26'	0°	0"	4" PVC SDR21	4.375"	DOGHOUSE 8"x8"	8" x 8"	8.038"	4"	0"
Invert 2	533.43'	180°	91.125"	4" PVC SDR21	4.375"	DOGHOUSE 8"x10"	8" x 10"	8.038"	5"	0"
Invert 3										
Invert 4										
Invert 5										
Invert 6										
Invert 7										
Invert 8										

**RIGHT-SIDE UP VIEW (int. dimensions)**



**INSIDE WALL DIMENSIONS**



Coating (Int): Coating (Ext):	Seam Up: Tongue Seam Dn: Flat	Wall Thickness: 5" Floor Height: 0"	Height (Int): 35" Height (Ext): 35"	Weight (Net): 2360 lb Volume (Net): 0.6cu.yd
----------------------------------	----------------------------------	--	--	---