

Job Name: 25-4279 - KYTC Christian Co (251031)  
 Job Location: Hopkinsville, KY  
 Contractor: CITCO Water

Plant: 100  
 5/8/2026 11:23:29 AM

Tech: Jared- F  
 PC: C. Goff



**Structure ID: 105+86 ARV**

**P2 MH048DHVF**

**MH DH RISER Custom Ht T/F**

- P4) 24" - CASTING HEIGHT - 7"
- P3) 48" - MH FLAT TOP w/ 24" ECC Hole F/G - 12"
- P2) 48" - MH DH RISER Custom Ht T/F - 37"
- P1) 48" - P.I.P. BY OTHERS - BTM SLAB F/n - 0"
- 1) JOINT WRAP - 0.065"x6"x50' CONSEAL CS212
- 1) JOINT WRAP PRIMER - CONSEAL CS-75 (1 gal.)
- 2) 48" - Conseal CS-102 1.00" (Double)
- 2) DOGHOUSE - 8"x8"

0 lb  
 1561 lb  
 2506 lb  
 0 lb  
 0 lb  
 0 lb  
 0 lb  
 0 lb  
 0 lb

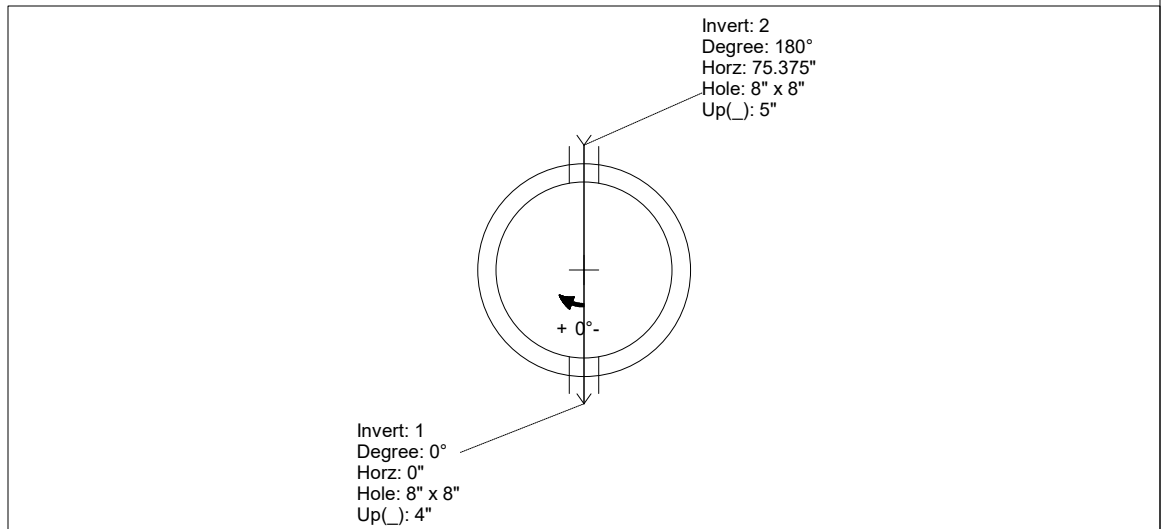
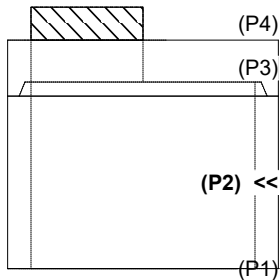
Structure Total: 4067 lb

Structure Notes:  
 1. PER ASTM C478 SPECIFICATIONS.  
 2. CONCRETE = 4,000 PSI AT 28 DAYS.  
 3. NO STEPS.  
 4. CASTING SUPPLIED BY OTHERS.  
  
 REINFORCING PER ASTM A615 (GRADE 60).  
 - TOP SLAB = H20 LOADING.  
 - RISER/WALLS (As .12)

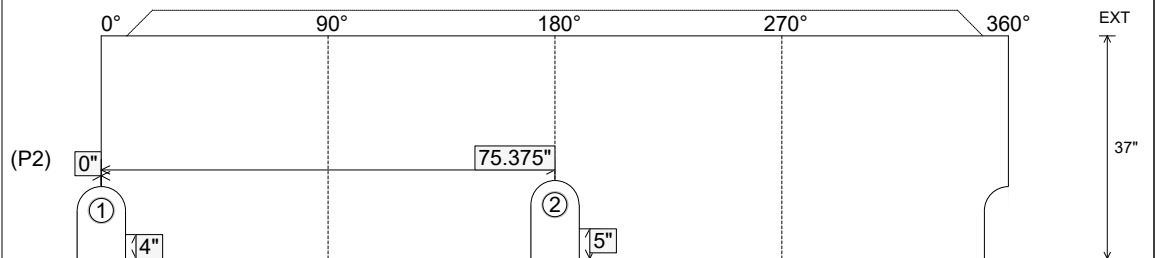
Rim: 555.75' Rim to Invert: 4.17' Slack: 0.04" Sump: 6" Step Position:

Position	Elev	Angle	Ext. (cw)	Pipe	Pipe OD	Connector	Hole	Horz Size	Up ( )	Offset
Invert 1	551.58'	0°	0"	4" PVC SDR21	4.375"	DOGHOUSE 8"x8"	8" x 8"	8.038"	4"	0"
Invert 2	551.66'	180°	91.125"	4" PVC SDR21	4.375"	DOGHOUSE 8"x8"	8" x 8"	8.038"	5"	0"
Invert 3										
Invert 4										
Invert 5										
Invert 6										
Invert 7										
Invert 8										

**RIGHT-SIDE UP VIEW (int. dimensions)**



**INSIDE WALL DIMENSIONS**



Coating (Int):  
 Coating (Ext):

Seam Up: Tongue  
 Seam Dn: Flat

Wall Thickness: 5"  
 Floor Height: 0"

Height (Int): 37"  
 Height (Ext): 37"

Weight (Net): 2506 lb  
 Volume (Net): 0.64cu.yd