

Structure ID: JB #1-6 JBB

P1 BX2430-08BA48 BOX BASE 8inW, 8inF T/n

| | | |
|---|---|---|
| P4) CASTING (cast in) - 0 P3) 24" x 30" - BX FLAT LID 8inW SPEC. (KY JB-B1) F/F - 8" P2) 24" x 30" - BOX RISER 8inW F/G - 24" P1) 24" x 30" - BOX BASE 8inW, 8inF T/n - 48" 1) CASTING - HOE KY-206 F/C (KY TY1) 1) This Structure Includes a Cast-in Item 2) 24" x 30" - Conseal CS-102 1.00" 1) 24" - Conseal CS-102 1.00" 2) Hole - 24 | 0 lb 931 lb 2256 lb 5139 lb 206 lb 0 lb 0 lb 0 lb 0 lb 0 lb 8532 lb | Structure Notes: 1. KYTC JUNCTION BOX B1 / PER ASTM C913 SPEC'S. 2. CONCRETE = 4,000 PSI AT 28 DAYS. 3. TOP SLAB w KYTC TYPE 1 F/C CAST FLUSH. 4. CASTING BY ICAST (HOE KY-206 F/C). CAST-IN. REINFORCING PER ASTM A615 (GRADE 60). - TOP SLAB (As .62) #5 BARS AT 6" C.C.E.W. - WALLS (As .31) #5 BARS AT 12" C.C.E.W. - FLOOR (As .31) #5 BARS AT 12" C.C.E.W. |
|---|---|---|

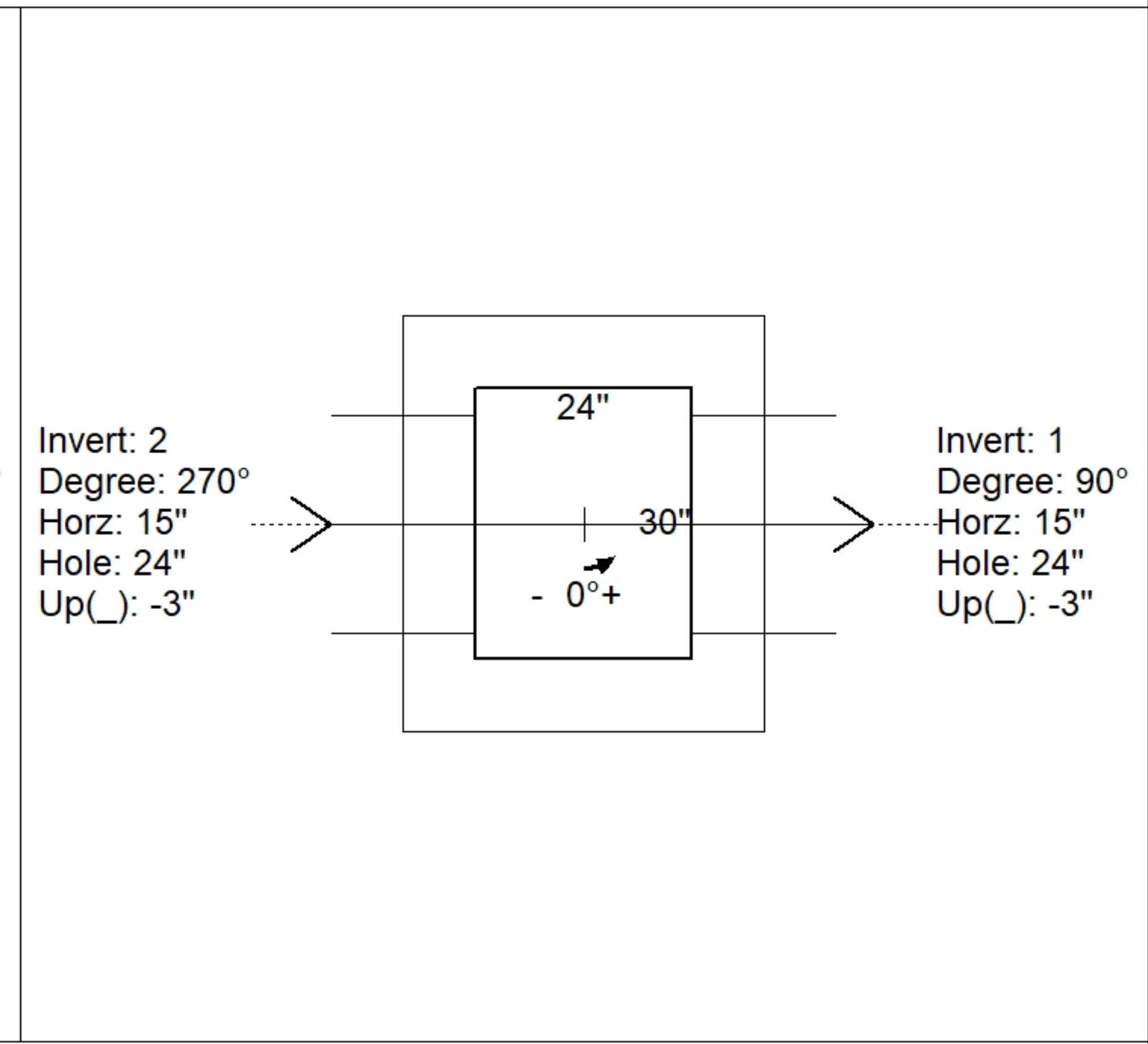
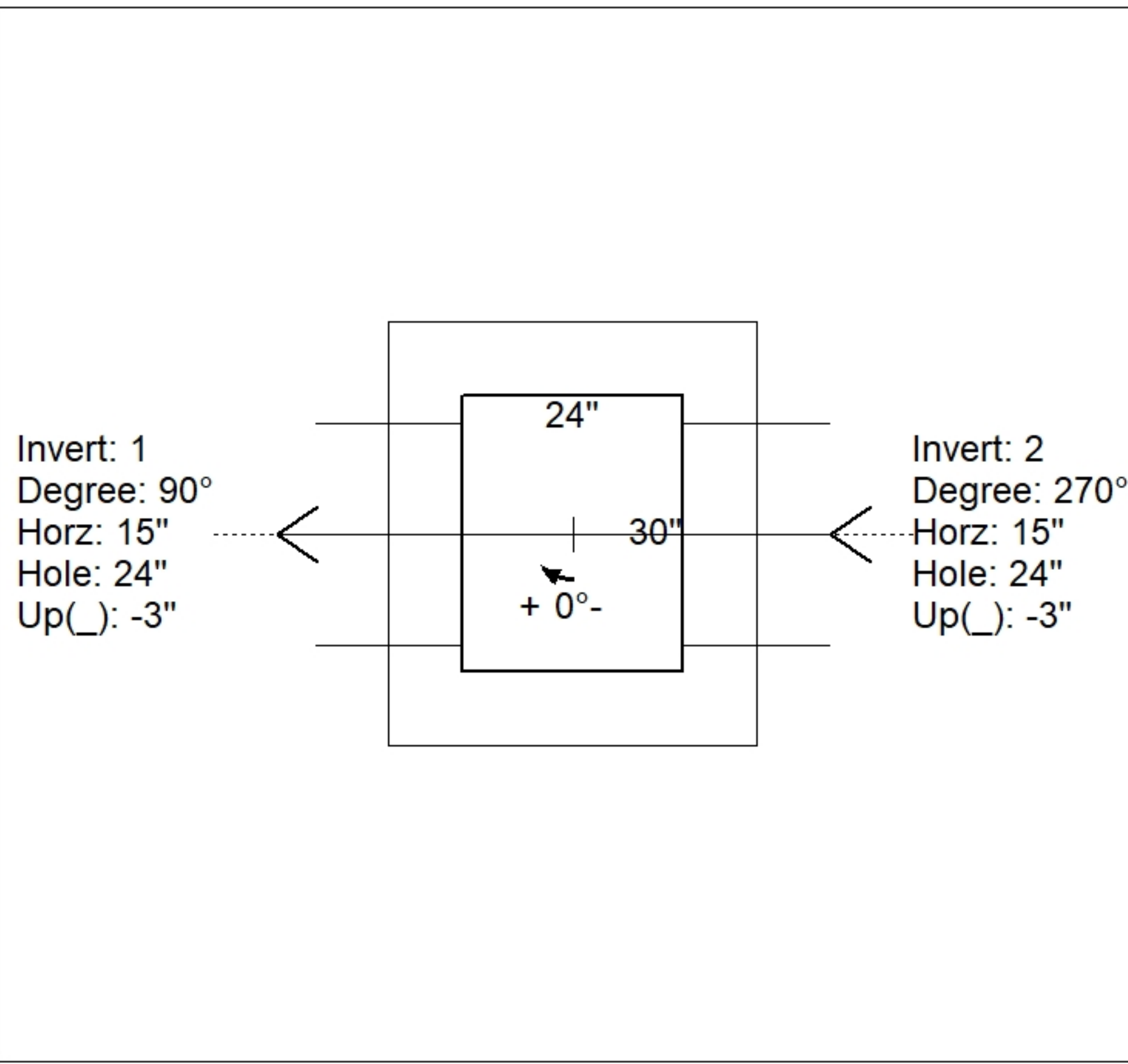
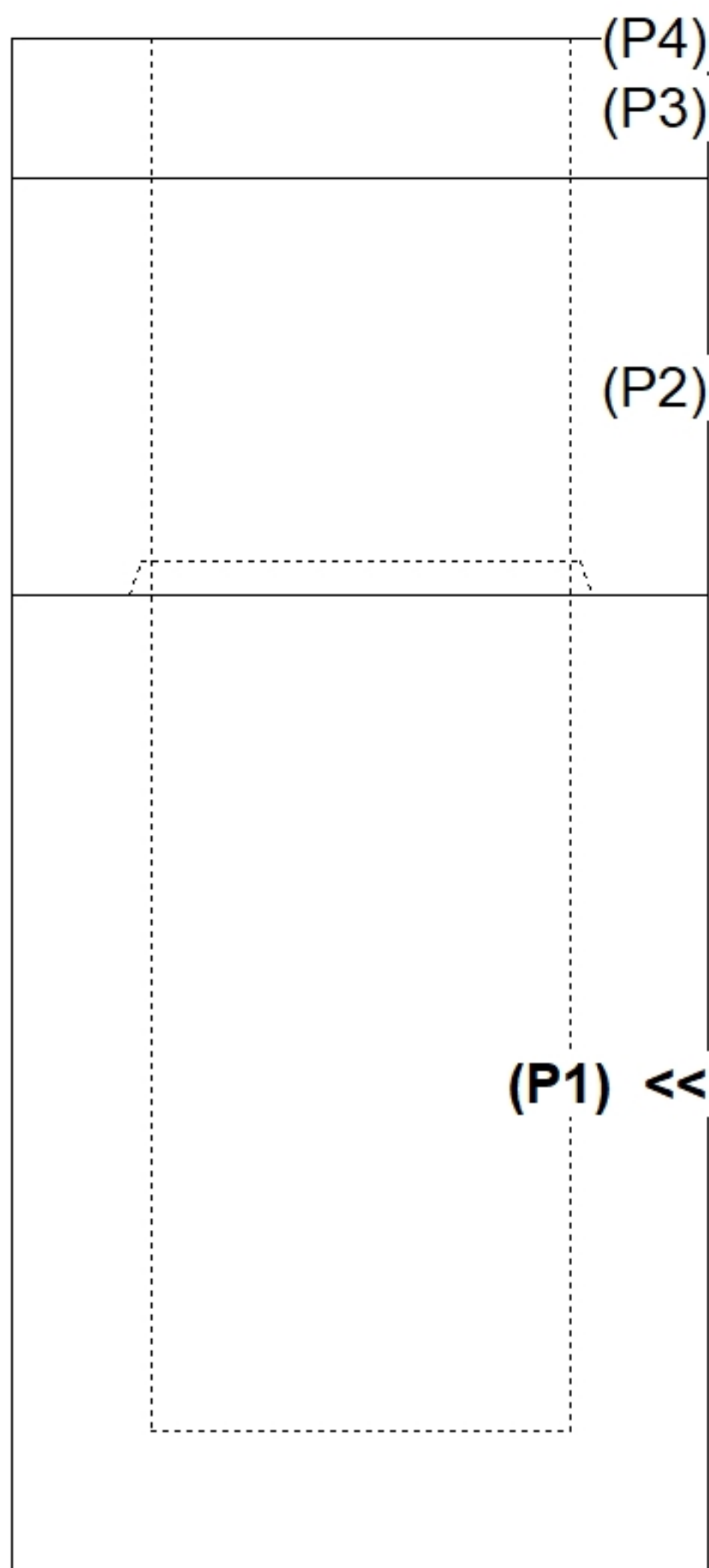
Structure Total: 8532 lb

Rim: 779' Rim to Invert: 7' Slack: 4" Sump: 0" Step Position:

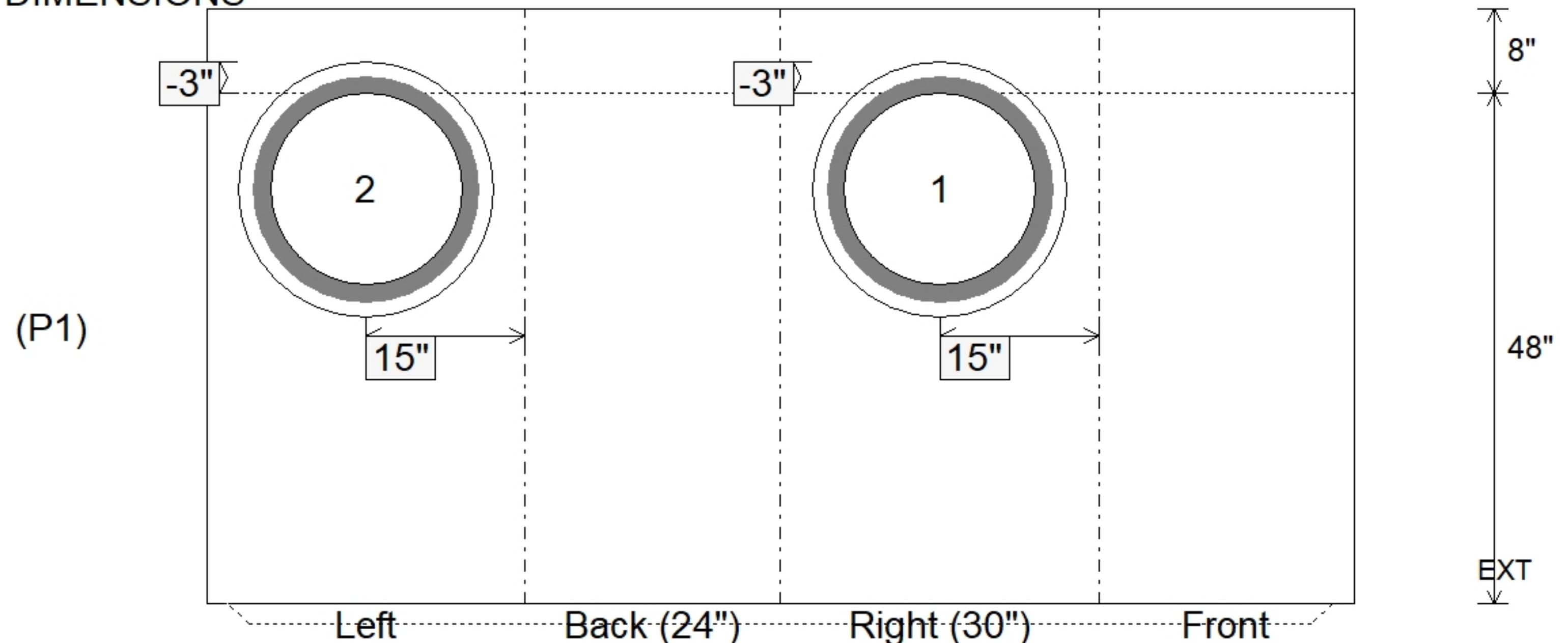
| Position | Elev | Angle | Ext. (cw) | Pipe | Pipe OD | Connector | Hole | Horz Size | Up () | Offset |
|----------|------|-------|-----------|----------|---------|-----------|------|-----------|--------|--------|
| Invert 1 | 772' | 90° | 23" | 18" HDPE | 21.2" | Hole 24 | 24" | 24" | -3" | 0" |
| Invert 2 | 772' | 270° | 23" | 18" HDPE | 21.2" | Hole 24 | 24" | 24" | -3" | 0" |
| Invert 3 | | | | | | | | | | |
| Invert 4 | | | | | | | | | | |
| Invert 5 | | | | | | | | | | |
| Invert 6 | | | | | | | | | | |
| Invert 7 | | | | | | | | | | |
| Invert 8 | | | | | | | | | | |

RIGHT-SIDE UP VIEW (int. dimensions)

UPSIDE-DOWN VIEW (int. dimensions)



INSIDE WALL DIMENSIONS



| | | | | |
|----------------------------------|---------------------------------|--|--|--|
| Coating (Int): Coating (Ext): | Seam Up: Tongue Seam Dn: n/a | Wall Thickness: 8" Floor Height: 8" | Height (Int): 48" Height (Ext): 56" | Weight (Net): 5139 lb Volume (Net): 1.31cu.yd |
|----------------------------------|---------------------------------|--|--|--|