

Job Name: 26-1368 Freeman Lake Park Parking Lot Project
 Job Location: Elizabethtown, KY
 Contractor: Kauffeld Brothers Construction

Plant: Beaver Dam
 5/28/2026 9:51:47 AM

Tech: S. Felletter
 PC: T. Ryan



Structure ID: CI #3-4 CBIF

P2 BX036036-08LD08-24X24

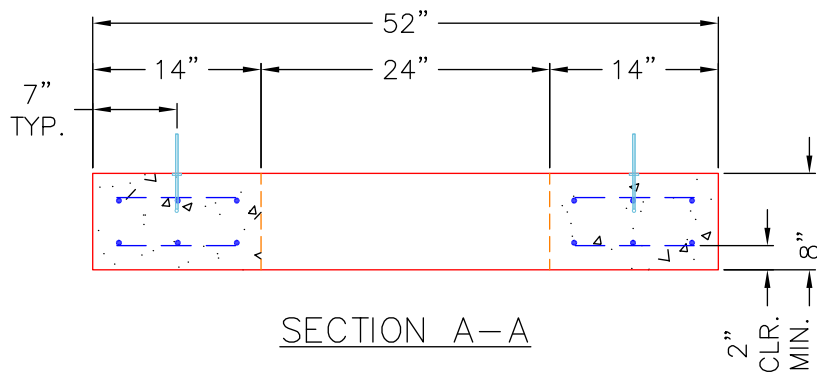
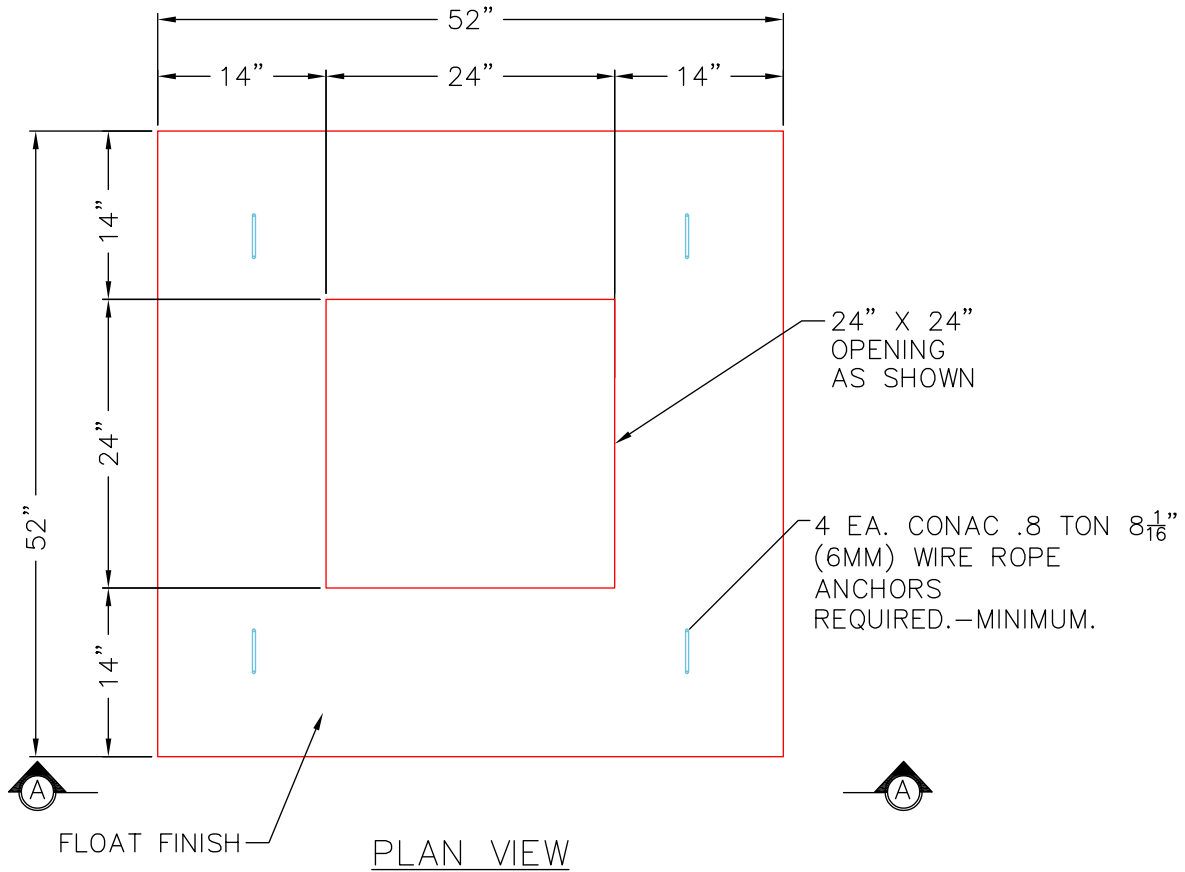
BX FLAT LID 8inW w/24"x24" HOLE F/F

- P3) 24" x 24" - CASTING HEIGHT - 5"
- P2) 36" x 36" - BX FLAT LID 8inW w/24"x24" HOLE F/F - 8"
- P1) 36" x 36" - BOX BASE 8inW, 8inF, Variable Ht F/n - 59"
- 1) CASTING - HOE KY-465 SET (CBI TY F)
- 1) 36" x 36" - Conseal CS-102 1.00"
- 1) 24" x 24" - Conseal CS-102 1.00"
- 2) Hole - 24
- 1) Hole - 20

	0 lb
	1429 lb
	7782 lb
	465 lb
	0 lb
	0 lb
	0 lb
	0 lb
Structure Total:	9675 lb

Structure Notes:
 1. KYTC CBI TYPE F / ASTM C913 SPECIFICATIONS.
 2. CONCRETE = 4,000 PSI AT 28 DAYS.
 3. CASTING BY ICAST (HOE KY-465 SET).

REINFORCING PER ASTM A615 (GRADE 60).
 - TOP SLAB (As .62) #5 BARS AT 6" C.C.E.W (DBL MAT)
 - WALLS (As .31) #5 BARS AT 12" C.C.E.W.
 - FLOOR (As .31) #5 BARS AT 12" C.C.E.W.



Coating (Int): Coating (Ext):	Seam Up: Flat Seam Dn: Flat	Wall Thickness: 8"	Height (Ext): 8"	Weight (Net): 1429 lb Volume (Net): 0.36cu.yd
----------------------------------	--------------------------------	--------------------	------------------	--