

**Structure ID: CI #3-4 CBIF**

**P1 BX3636-08BAVF**

**BOX BASE 8inW, 8inF, Variable Ht F/n**

P3) 24" x 24" - CASTING HEIGHT - 5" P2) 36" x 36" - BX FLAT LID 8inW w/24"x24" HOLE F/F - 8" P1) 36" x 36" - BOX BASE 8inW, 8inF, Variable Ht F/n - 59" 1) CASTING - HOE KY-465 SET (CBI TY F) 1) 36" x 36" - Conseal CS-102 1.00" 1) 24" x 24" - Conseal CS-102 1.00" 2) Hole - 24 1) Hole - 20	0 lb 1429 lb 7782 lb 465 lb 0 lb 0 lb 0 lb 0 lb 0 lb	Structure Total: 9675 lb
---	--	--------------------------

**Structure Notes:**  
 1. KYTC CBI TYPE F / ASTM C913 SPECIFICATIONS.  
 2. CONCRETE = 4,000 PSI AT 28 DAYS.  
 3. CASTING BY ICAST (HOE KY-465 SET).

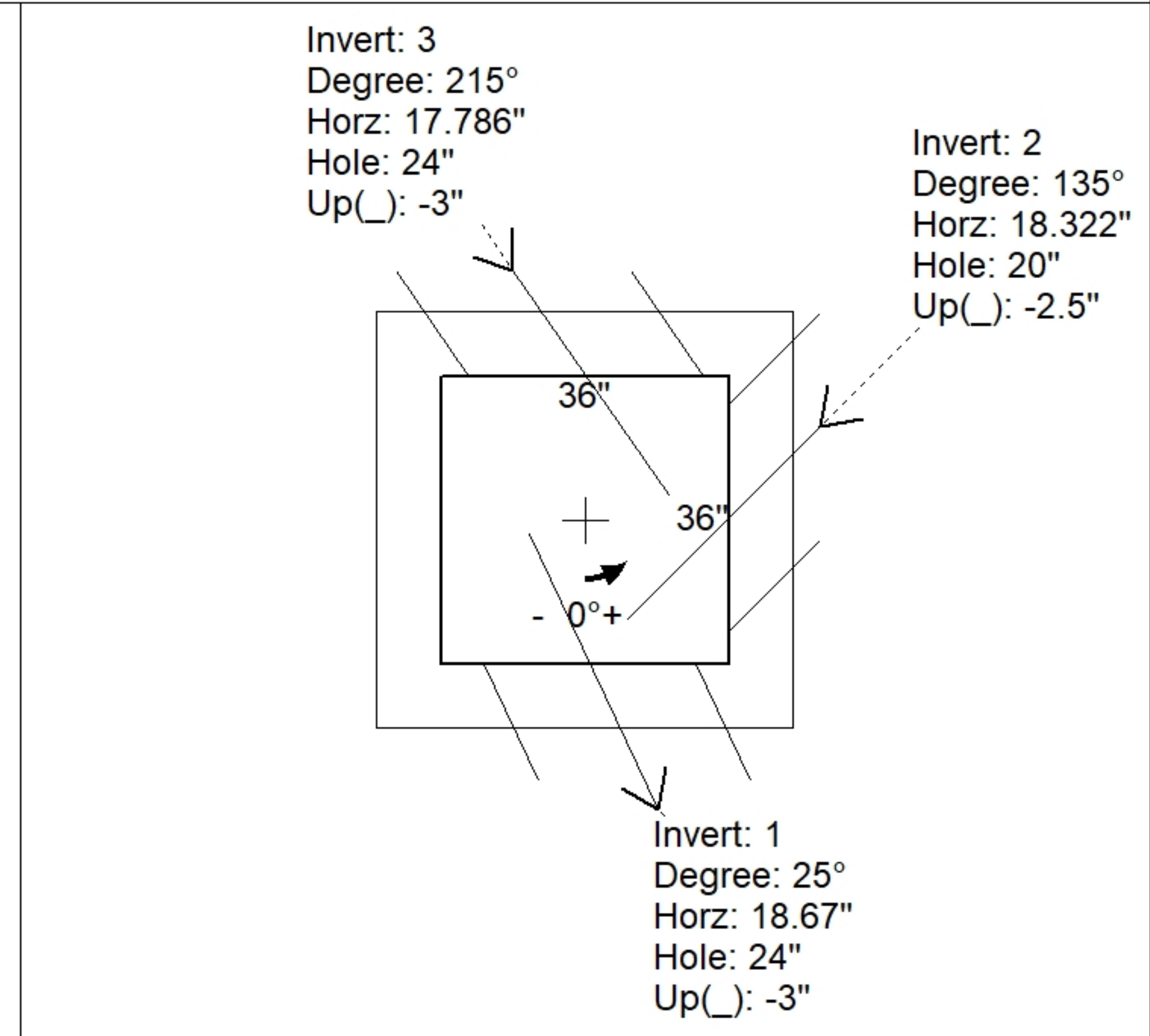
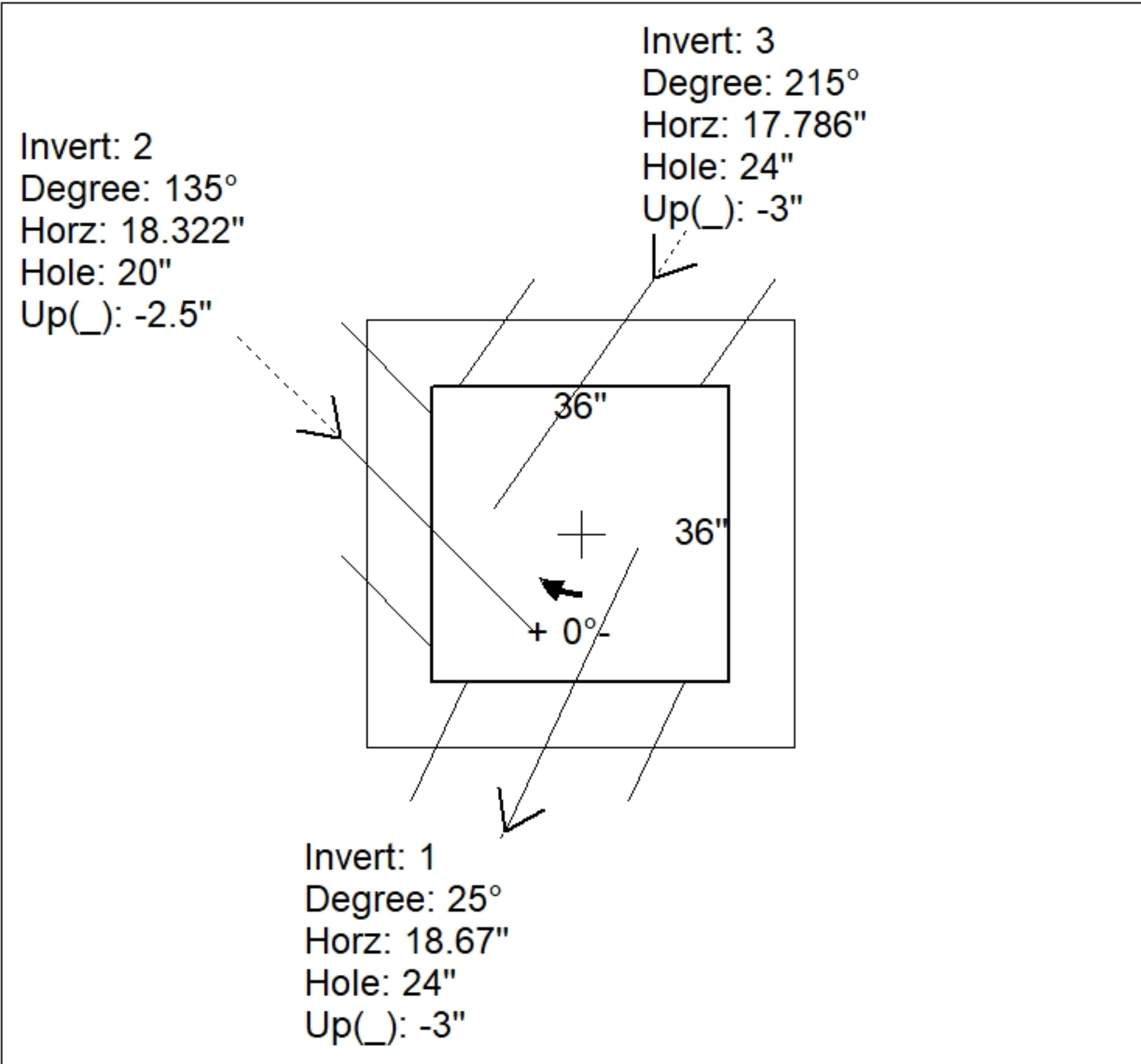
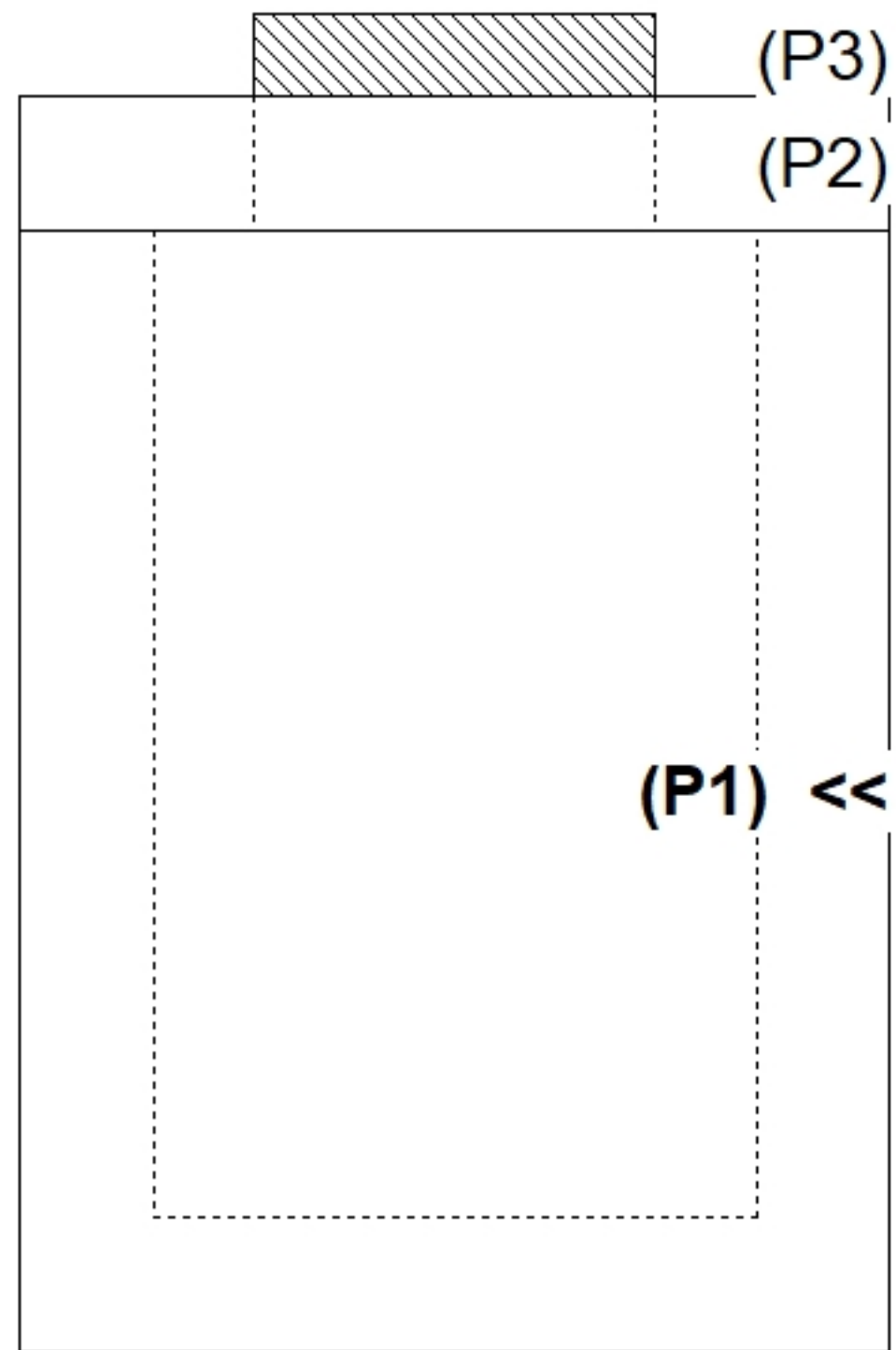
REINFORCING PER ASTM A615 (GRADE 60).  
 - TOP SLAB (As .62) #5 BARS AT 6" C.C.E.W (DBL MAT)  
 - WALLS (As .31) #5 BARS AT 12" C.C.E.W.  
 - FLOOR (As .31) #5 BARS AT 12" C.C.E.W.

Rim: 770.75'      Rim to Invert: 6'      Slack: 0"      Sump: 0"      Step Position:

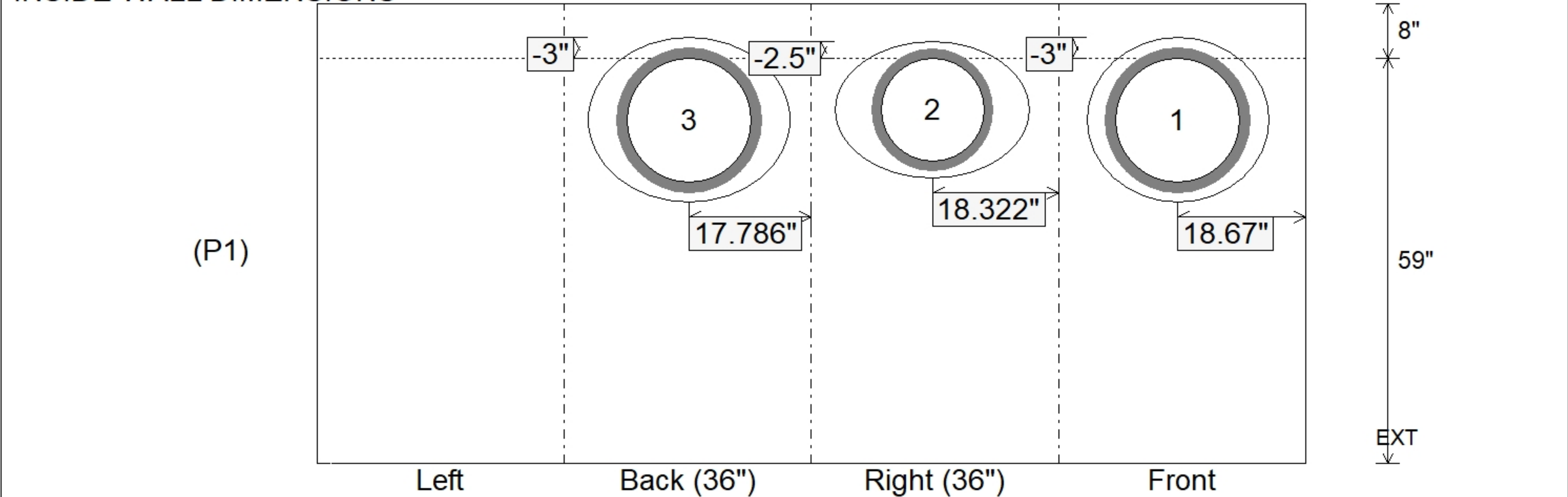
Position	Elev	Angle	Ext. (cw)	Pipe	Pipe OD	Connector	Hole	Horz Size	Up ( )	Offset
Invert 1	764.75'	25°	30.4"	18" HDPE	21.2"	Hole 24	24"	26.481"	-3"	-7"
Invert 2	764.75'	135°	34.322"	15" HDPE	17.6"	Hole 20	20"	28.284"	-2.5"	-12.5"
Invert 3	764.75'	215°	31.387"	18" HDPE	21.2"	Hole 24	24"	29.299"	-3"	-10.5"
Invert 4										
Invert 5										
Invert 6										
Invert 7										
Invert 8										

**RIGHT-SIDE UP VIEW (int. dimensions)**

**UPSIDE-DOWN VIEW (int. dimensions)**



**INSIDE WALL DIMENSIONS**



Coating (Int): Coating (Ext):	Seam Up: Flat Seam Dn: n/a	Wall Thickness: 8" Floor Height: 8"	Height (Int): 59" Height (Ext): 67"	Weight (Net): 7782 lb Volume (Net): 1.99cu.yd
----------------------------------	-------------------------------	--	--	--