

Structure ID: MH 6 (0+31)

P2 MH060RS48

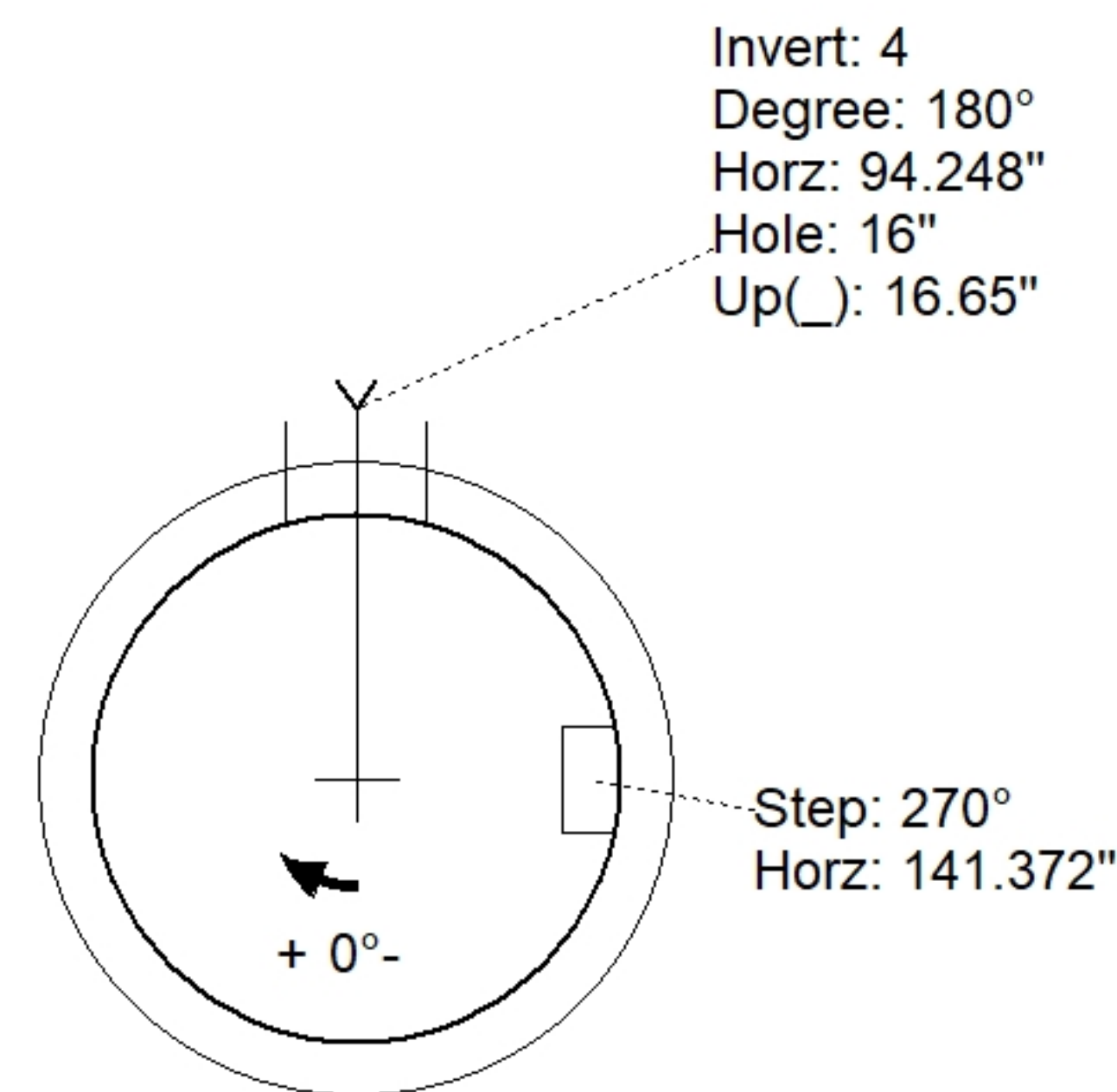
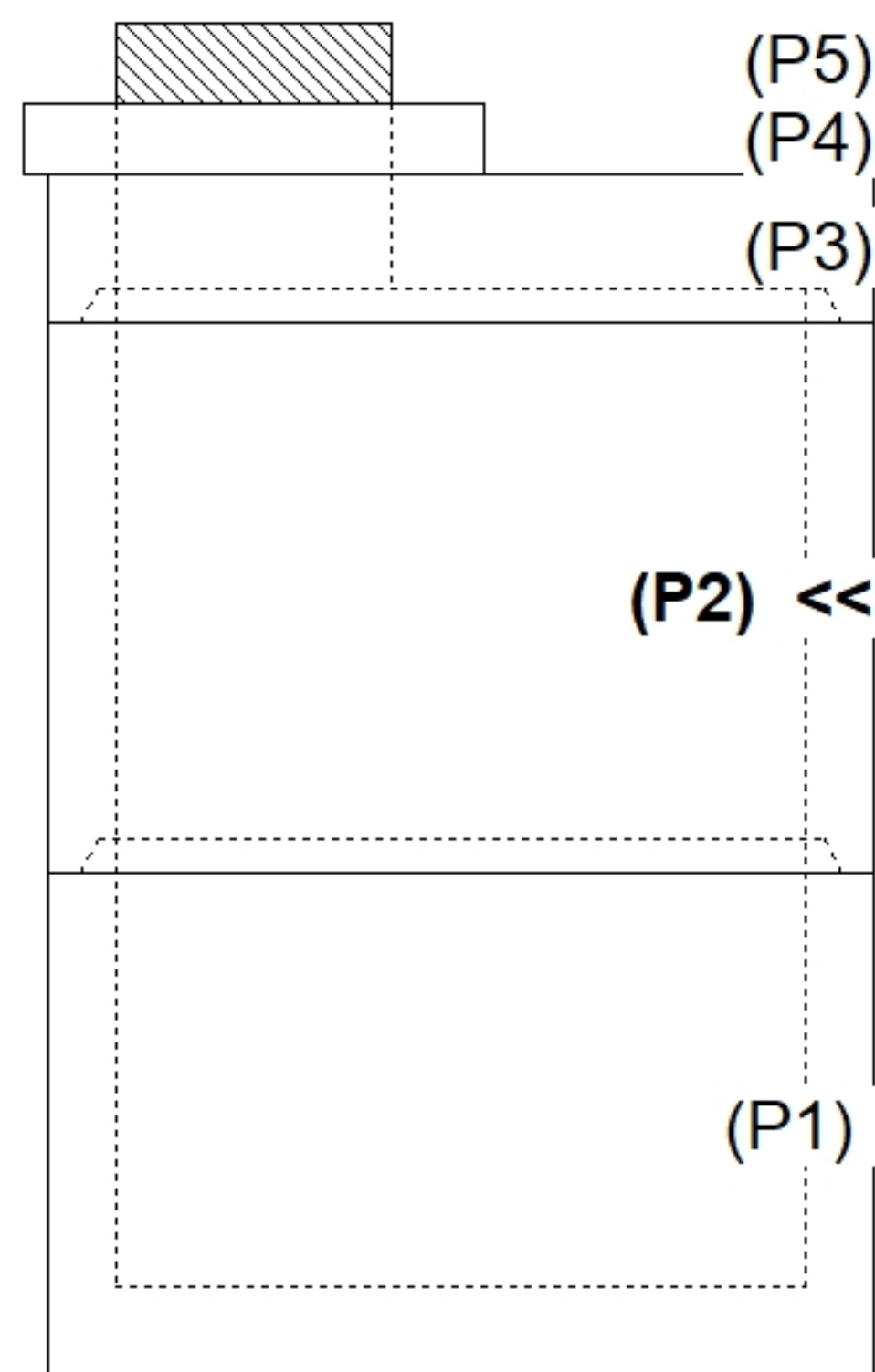
MH RISER T/G

P5) 24" - CASTING HEIGHT - 7" P4) 24" - GRADE RING F/F - 6" P3) 60" - MH FLAT TOP w/ 24" ECC Hole F/G - 13" P2) 60" - MH RISER T/G - 48" P1) 60" - MH BASE T/n - 36" 1) JOINT WRAP - 0.065"x6"x50' CONSEAL CS212 1) JOINT WRAP PRIMER - CONSEAL CS-75 (1 gal.) 1) 60" - STORM INVERT CHANNEL - 1/4 HEIGHT 1) Chimney Seal - Trelleborg FlexRib Chimney Seal 1) CASTING - HOE WT-420-MSD F/C Storm 2) 60" - Conseal CS-102 1.00" (Double) 2) PSX - 16L NYLO 3) PSX - 12-06 NYLO	0 lb 405 lb 2869 lb 4909 lb 6217 lb 0 lb 0 lb 1700 lb 10 lb 340 lb 0 lb 16 lb 24 lb <hr style="width: 50%; margin-left: auto; margin-right: 0;"/> Structure Total: 16490 lb	Structure Notes: 1. PER ASTM C478 & MSD SPECIFICATIONS. 2. CONCRETE = 5,000 PSI AT 28 DAYS. 3. CASTING BY ICST (HOE MC-420). REINFORCING PER ASTM A615 (GRADE 60). - TOP SLAB (As .62) #5 BAR AT 6" C.C.E.W. - RISER/WALLS (As .12). - FLOOR (As .31) #5 BARS AT 12" C.C.E.W.
--	--	--

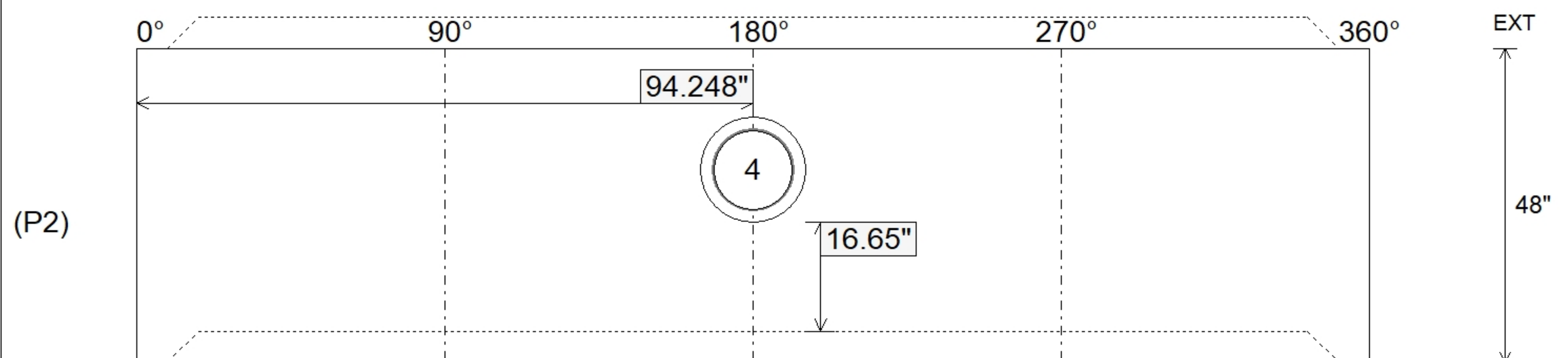
Rim: 414.13' Rim to Invert: 8.92' Slack: 0.04" Sump: 3" Step Position: 270

Position	Elev	Angle	Ext. (cw)	Pipe	Pipe OD	Connector	Hole	Horz Size	Up ()	Offset
Invert 1										
Invert 2										
Invert 3										
Invert 4	409.91'	180°	113.097"	12" PVC SDR35	12.5"	PSX 16L NYLO	16"	16.196"	16.65"	0"
Invert 5										
Invert 6										
Invert 7										
Invert 8										

RIGHT-SIDE UP VIEW (int. dimensions)



INSIDE WALL DIMENSIONS



Coating (Int):	Seam Up: Tongue Seam Dn: Groove	Wall Thickness: 6" Floor Height: 0"	Height (Int): 48" Height (Ext): 48"
Coating (Ext):			Weight (Net): 4909 lb Volume (Net): 1.25cu.yd