

Job Name: 26-2324 880717 Shepper & Converse Ave	Plant: Beaver Dam	Tech: S. Felletter	
Job Location: Plain City, OH Contractor: Contech Engineering Solutions	5/14/2026 10:47:56 AM	PC: C. Goff	

Structure ID: 15-CS-8

P1 MH096BAVF

MH MONOBASE 13F, Custom Ht T/n

P5) 24" - CASTING HEIGHT - 4"	0 lb
P4) 96" - MH FLAT TOP SPEC. (2 - 24"Ø HOLES) F/G - 17"	10015 lb
P3) 96" - MH RISER T/G - 78"	17622 lb
P2) 96" - MH RISER T/G - 36"	8968 lb
P1) 96" - MH MONOBASE 13F, Custom Ht T/n - 24"	17113 lb
1) CVSTENCILING	0 lb
1) ASSEMBLY REQUIRED	0 lb
3) 96" - Conseal CS-102 1.00"	0 lb
2) Hole - 36	0 lb
1) Hole - 20	0 lb
Structure Total:	53719 lb

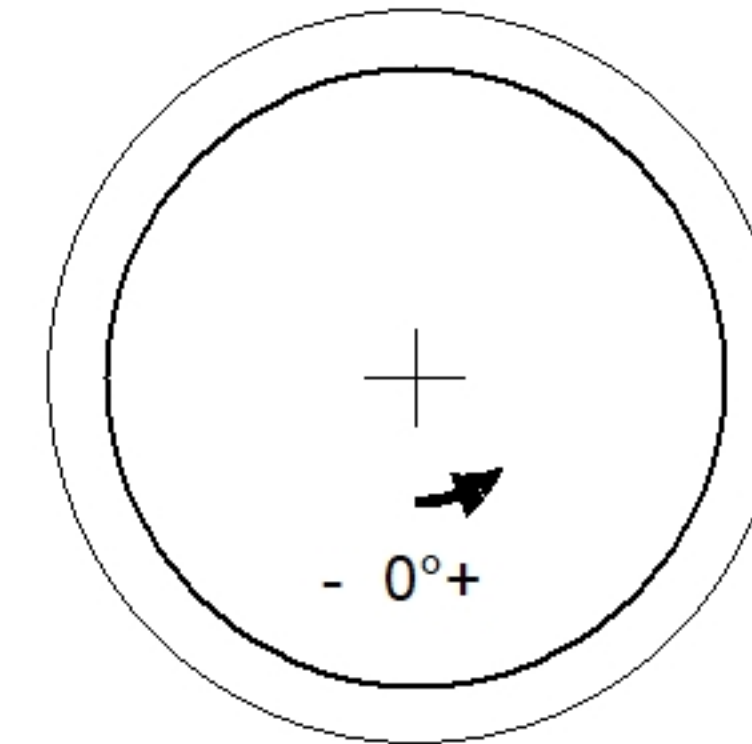
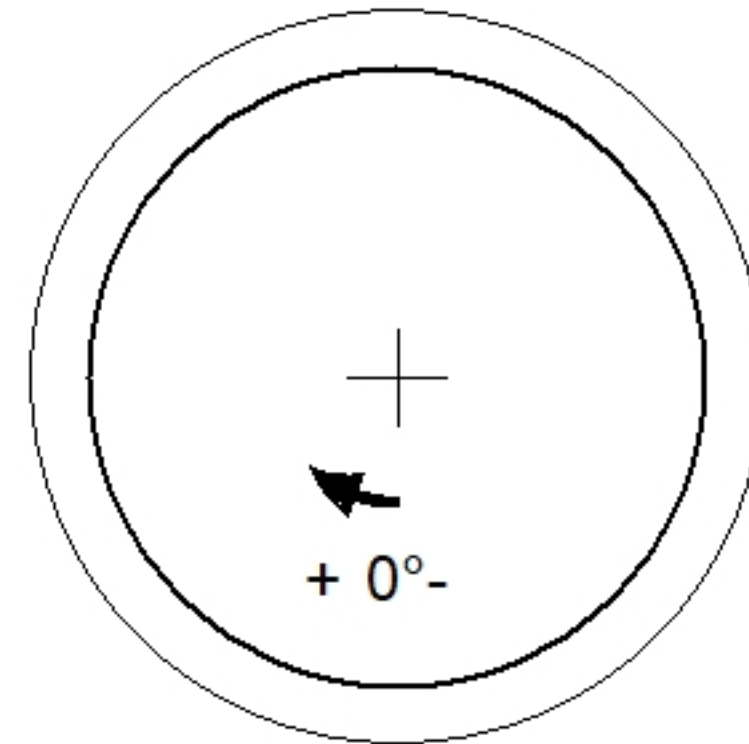
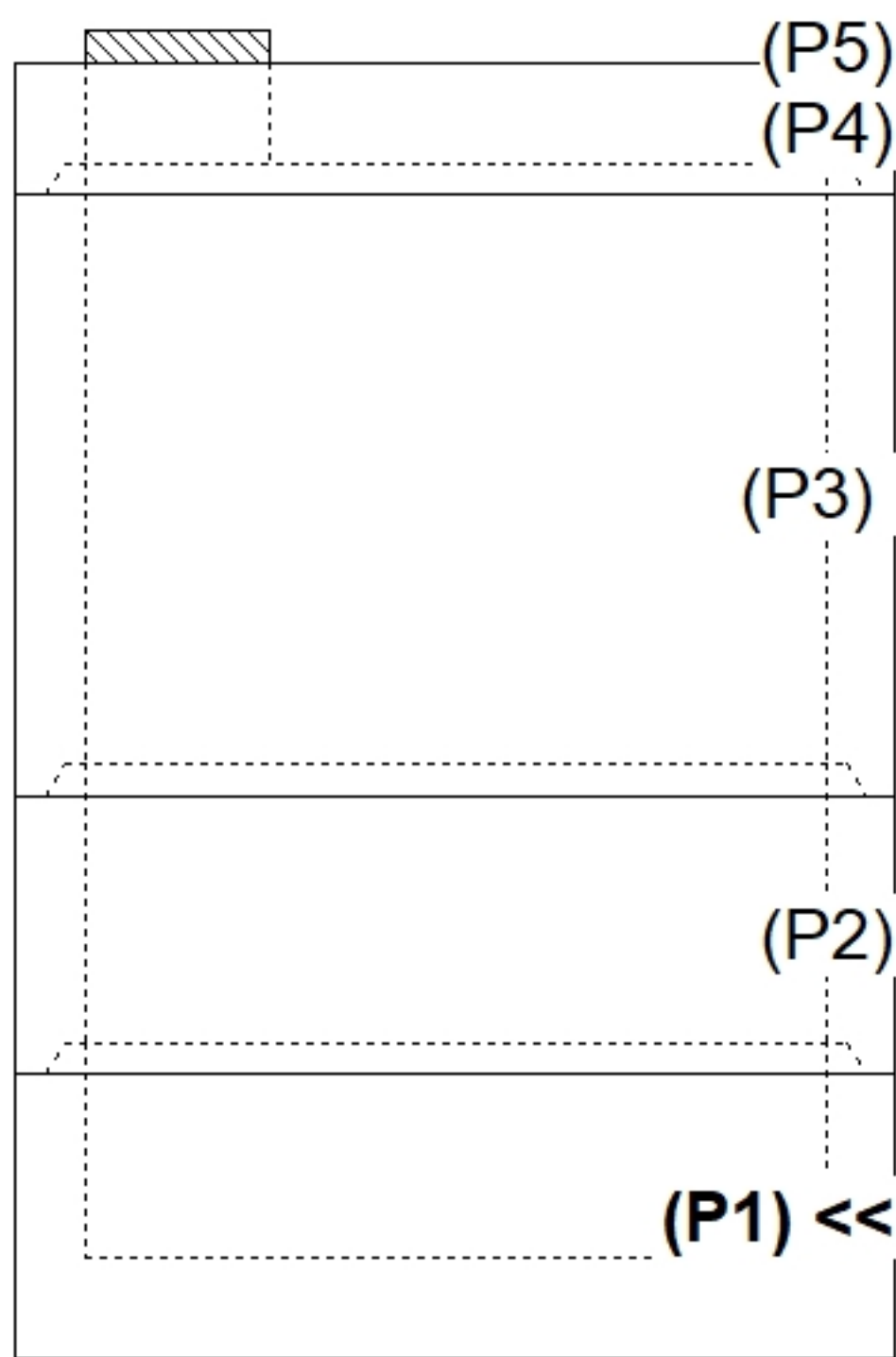
Structure Notes: 4" CASTING BY OTHERS LIFTING ANCHORS TO BE INSTALLED ON THE OUTSIDE OF THE STRUCTURE ICAST TO INSTALL INTERNALS CONTECH'S LOGO AS WELL AS THE INLET AND OUTLET MUST BE STENCILED ONTO THE STRUCTURE P2 & P3 RISERS TO BE MECHANICALLY ATTACHED PRIOR TO INSTALL

Rim: 929.71' Rim to Invert: 7.65' Slack: 14.844" Sump: 82.044" Step Position:

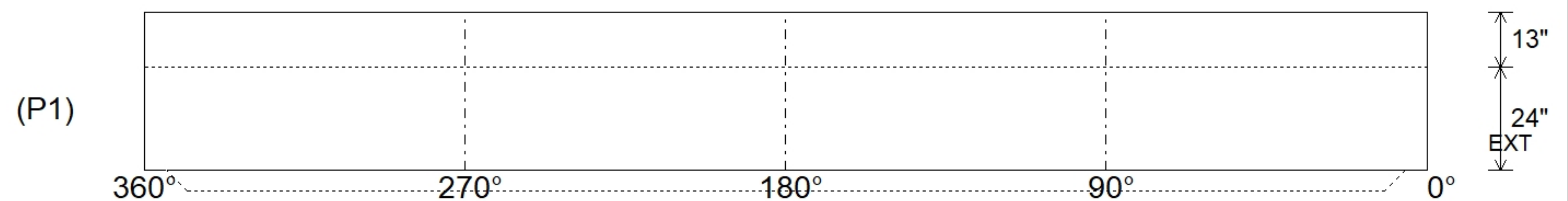
Position	Elev	Angle	Ext. (cw)	Pipe	Pipe OD	Connector	Hole	Horz Size	Up (L)	Offset
Invert 1										
Invert 2										
Invert 3										
Invert 4										
Invert 5										
Invert 6										
Invert 7										
Invert 8										

RIGHT-SIDE UP VIEW (int. dimensions)

UPSIDE-DOWN VIEW (int. dimensions)



INSIDE WALL DIMENSIONS



Coating (Int):	Seam Up: Tongue	Wall Thickness: 9"	Height (Int): 24"	Weight (Net): 17113 lb
Coating (Ext):	Seam Dn: n/a	Floor Height: 13"	Height (Ext): 37"	Volume (Net): 4.37cu.yd