

Job Name: 26-1219 - 1662 Pinkerton Road
 Job Location: Brentwood, TN
 Contractor: Hayes Pipe Supply

Plant: 100
 5/11/2026 5:31:54 PM

Tech: Jared - F
 PC: T. Ryan



Structure ID: 1-5 SS-MH

P1 MH048BA24CDARED

MH BASE w/ConBlock-CDA Red T/n

- P4) 24" - CASTING HEIGHT - 7" 0 lb
- P3) 48" - CON CONE w/24" HOLE, w/ConBlock-CDA Red F/G - 36" 2251 lb
- P2) 48" - MH RISER w/ConBlock-CDA Red T/G - 24" 1677 lb
- P1) 48" - MH BASE w/ConBlock-CDA Red T/n - 24" 2911 lb
- 1) JOINT WRAP - 0.065"x6"x50' CONSEAL CS212 0 lb
- 1) JOINT WRAP PRIMER - CONSEAL CS-75 (1 gal.) 0 lb
- 1) 48" - MH INVERT CHANNEL w/ConBlock-CDA Red - FULL HEIGHT 1440 lb
- 2) 48" - Conseal CS-102 1.00" (Double) 0 lb
- 2) PSX - 12-08 NYLO 16 lb
- 7) MH Step ML-10-TDS-NCR - 10" 0 lb

Structure Total: 8295 lb

Structure Notes:

1. PER ASTM C478 SPECIFICATIONS.
2. CONCRETE = 4,000 PSI AT 28 DAYS.
3. ADMIXTURE = CONBLOCK CDA RED.
4. CASTING SUPPLIED BY OTHERS.

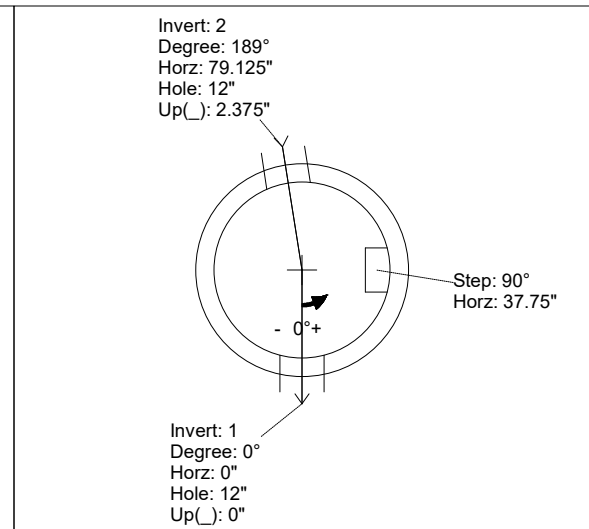
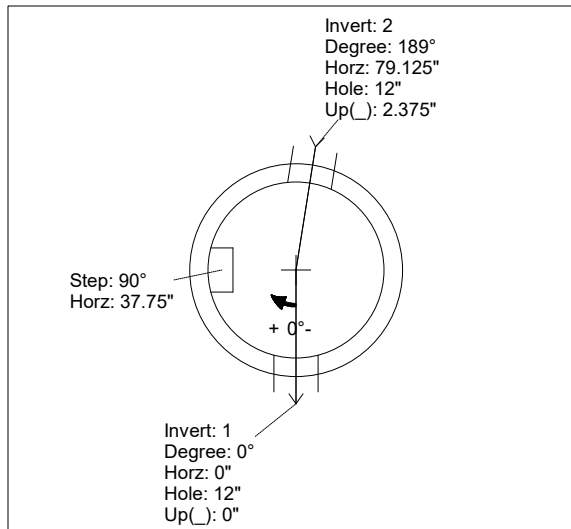
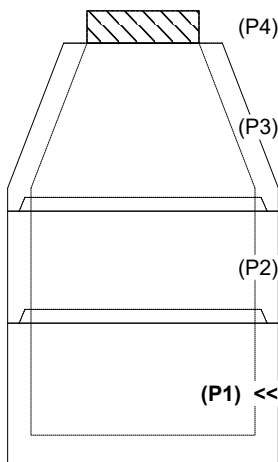
REINFORCING PER ASTM A615 (GRADE 60).
 - CONE (As .12)
 - RISER/WALLS (As .12)
 - FLOOR (As .31) #5 BARS AT 12" C.C.E.W.

Rim: 566.13' Rim to Invert: 7.45' Slack: 0.4" Sump: 2" Step Position: 90

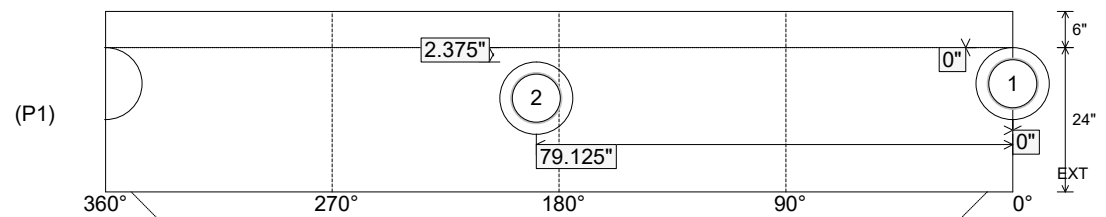
Position	Elev	Angle	Ext. (cw)	Pipe	Pipe OD	Connector	Hole	Horz Size	Up ()	Offset
Invert 1	558.68'	0°	0"	8" PVC SDR35	8.5"	PSX 12-08 NYLO	12"	12.129"	0"	0"
Invert 2	558.88'	189°	95.625"	8" PVC SDR35	8.5"	PSX 12-08 NYLO	12"	12.129"	2.375"	0"
Invert 3										
Invert 4										
Invert 5										
Invert 6										
Invert 7										
Invert 8										

RIGHT-SIDE UP VIEW (int. dimensions)

UPSIDE-DOWN VIEW (int. dimensions)



INSIDE WALL DIMENSIONS



Coating (Int):
 Coating (Ext):

Seam Up: Tongue
 Seam Dn: n/a

Wall Thickness: 5"
 Floor Height: 6"

Height (Int): 24"
 Height (Ext): 30"

Weight (Net): 2911 lb
 Volume (Net): 0.74cu.yd

