

Job Name: 25-4731 - Mantra Journey Dispensary  
 Job Location: Bardstown, KY 40004  
 Contractor: Hale Contracting

Plant: 100

5/15/2026 12:12:18 PM

Tech: Jared - A

PC: T. Ryan



**Structure ID: ST-2 (3)**

**P2 MH048LD06SP**

**MH FLAT TOP w/18"x36" Hole F/F**

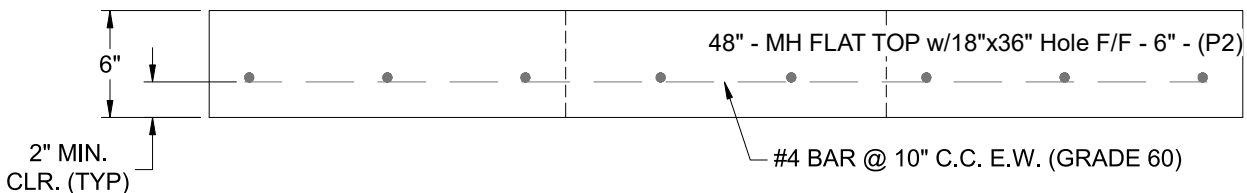
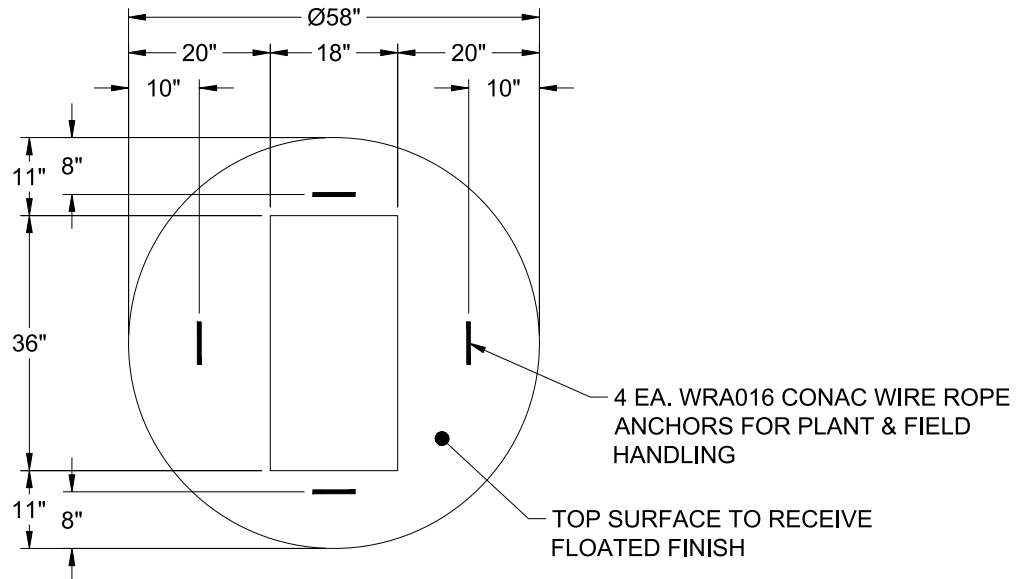
- P3) 18" x 36" - CASTING HEIGHT - 5.5"
- P2) 48" - MH FLAT TOP w/18"x36" Hole F/F - 6"
- P1) 48" - MH BASE Custom Ht F/n - 22"
- 1) CASTING - HOE 580-LV F/G
- 1) 48" - Conseal CS-102 1.00"
- 1) 18" x 36" - Conseal CS-102 1.00"
- 1) DOGHOUSE INVRTD - 24"x23"
- 1) Hole - 16

0 lb  
 1004 lb  
 2613 lb  
 514 lb  
 0 lb  
 0 lb  
 0 lb  
 0 lb  
 -----  
 4131 lb

Structure Total:

Structure Notes:

1. PER ASTM C-478 SPECIFICATIONS
2. CONCRETE: 4,000 PSI AT 28 DAYS
3. REINFORCEMENT: #4 BAR @ 10" C.C. E.W. (GRADE 60) - 2" MIN. REBAR CLEARANCE (TYP)
4. HOE 580-LV FRAME & L-VANE GRATES SUPPLIED BY ICAST
5. LIFTERS: 4 EA. WRA016 CONAC WIRE ROPE ANCHORS FOR PLANT & FIELD HANDLING
6. TOP SURFACE TO RECEIVE FLOATED FINISH



Coating (Int):  
 Coating (Ext):

Seam Up: Flat  
 Seam Dn: Flat

Wall Thickness: 5"

Height (Ext): 6"

Weight (Net): 1004 lb  
 Volume (Net): 0.26cu.yd