

Job Name: 25-4731 - Mantra Journey Dispensary
 Job Location: Bardstown, KY 40004
 Contractor: Hale Contracting

Plant: 100

5/15/2026 12:11:23 PM

Tech: Jared - A

PC: T. Ryan



Structure ID: ST-1 (2)

P1 MH048BAVF

MH BASE Custom Ht F/n

- P3) 24" - CASTING HEIGHT - 7"
- P2) 48" - MH FLAT TOP w/ 24" Center Hole F/F - 7"
- P1) 48" - MH BASE Custom Ht F/n - 28"
- 1) SECONDARY POUR - Weir Wall (48" X 8.4" X 4")
- 1) 48" - Conseal CS-102 1.00"
- 1) 24" - Conseal CS-102 1.00"
- 2) Hole - 24
- 2) Hole - 12

0 lb
 1700 lb
 2789 lb
 140 lb
 0 lb
 0 lb
 0 lb
 0 lb

 0 lb
 Structure Total: 4629 lb

- Structure Notes:
1. PER ASTM C-478 SPECIFICATIONS
 2. CONCRETE: 4,000 PSI AT 28 DAYS
 3. REINFORCEMENT: PER ASTM A615
 4. NO STORM INVERT
 5. NO STEPS
 6. HOE MC-420 FRAME & COVER "STORM" SUPPLIED BY ICAST
 7. THIS STRUCTURE CONTAINS A WEIR WALL - SEE SECOND POUR DRAWING FOR WEIR WALL DETAILS

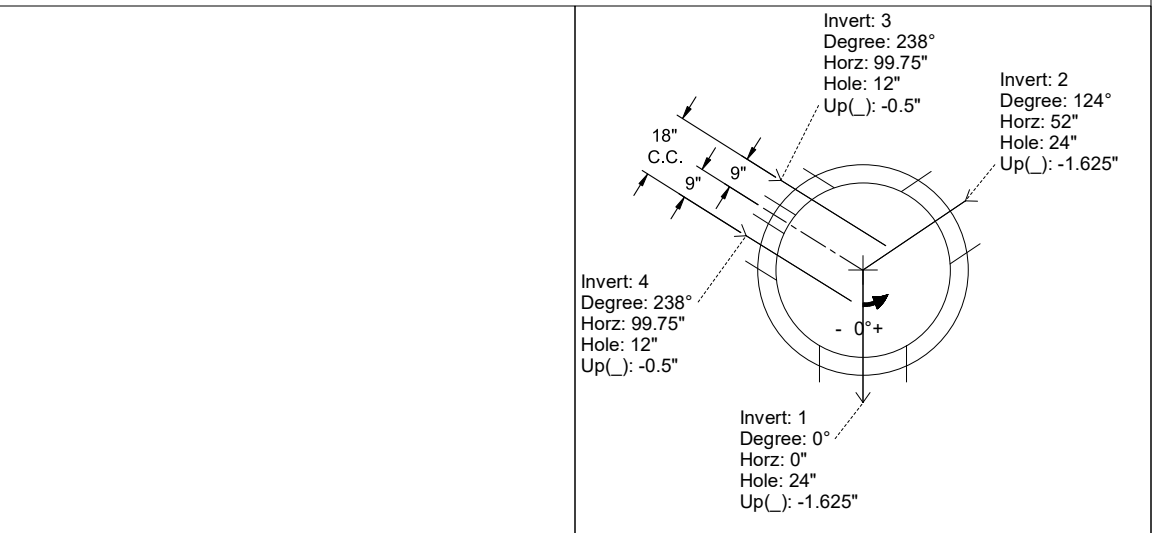
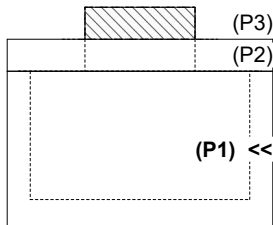
FIRST POUR (BASE): 2,789 LBS
SECOND POUR (WEIR WALL): 140 LBS

Rim: 696.43' Rim to Invert: 3.53' Slack: 0.36" Sump: 0" Step Position:

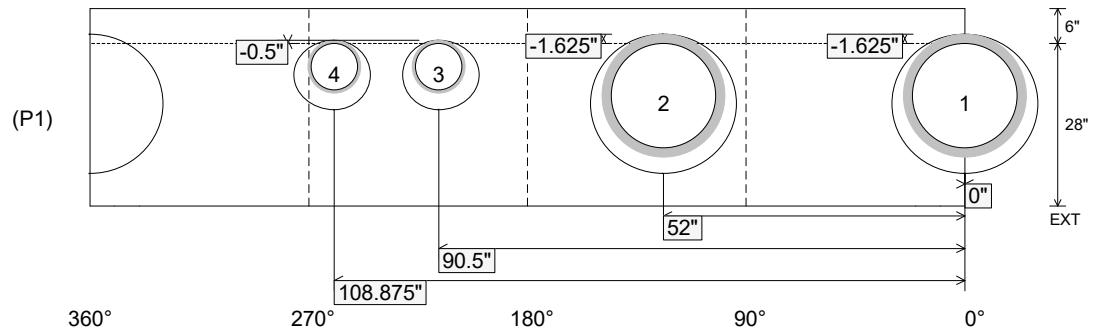
Position	Elev	Angle	Ext. (cw)	Pipe	Pipe OD	Connector	Hole	Horz Size	Up ()	Offset
Invert 1	692.9'	0°	0"	18" HDPE	21.2"	Hole 24	24"	25.133"	-1.625"	0"
Invert 2	692.9'	124°	62.75"	18" HDPE	21.2"	Hole 24	24"	25.133"	-1.625"	0"
Invert 3	692.9'	238°	111.25"	8" HDPE	9.1"	Hole 12	12"	13.195"	-0.5"	-9"
Invert 4	692.9'	238°	129.625"	8" HDPE	9.1"	Hole 12	12"	13.195"	-0.5"	9"
Invert 5										
Invert 6										
Invert 7										
Invert 8										

RIGHT-SIDE UP VIEW (int. dimensions)

UPSIDE-DOWN VIEW (int. dimensions)



INSIDE WALL DIMENSIONS



Coating (Int):
 Coating (Ext):

Seam Up: Flat
 Seam Dn: n/a

Wall Thickness: 5"
 Floor Height: 6"

Height (Int): 28"
 Height (Ext): 34"

Weight (Net): 2789 lb
 Volume (Net): 0.71cu.yd

Job Name: 25-4731 - Mantra Journey Dispensary
 Job Location: Bardstown, KY 40004
 Contractor: Hale Contracting

Plant: 100

5/15/2026 12:11:23 PM

Tech: Jared - A

PC: T. Ryan



Structure ID: ST-1 (2)

P1 MH048BAVF

MH BASE Custom Ht F/n

- P3) 24" - CASTING HEIGHT - 7"
- P2) 48" - MH FLAT TOP w/ 24" Center Hole F/F - 7"
- P1) 48" - MH BASE Custom Ht F/n - 28"
- 1) SECONDARY POUR - Weir Wall (48" X 8.4" X 4")
- 1) 48" - Conseal CS-102 1.00"
- 1) 24" - Conseal CS-102 1.00"
- 2) Hole - 24
- 2) Hole - 12

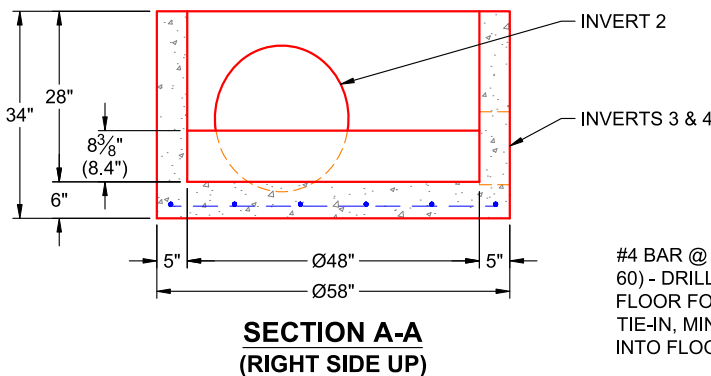
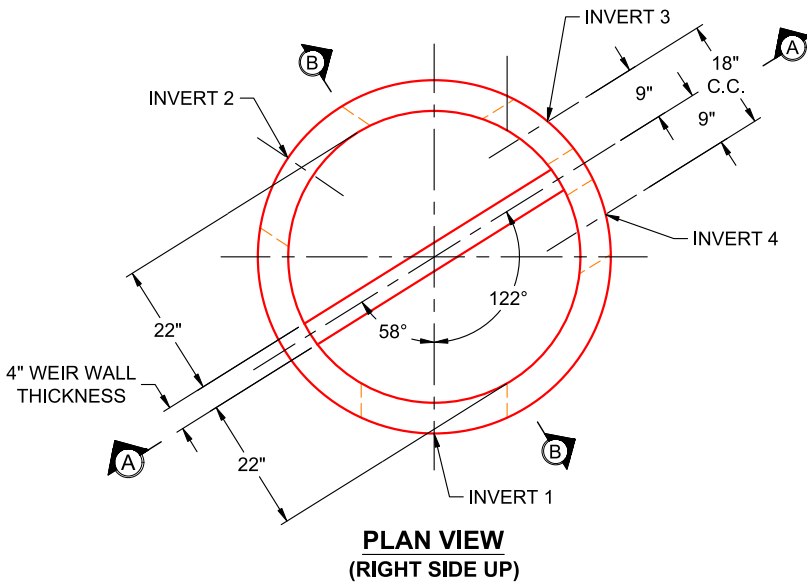
0 lb
 1700 lb
 2789 lb
 140 lb
 0 lb
 0 lb
 0 lb
 0 lb
 0 lb
 Structure Total: 4629 lb

- Structure Notes:**
1. PER ASTM C-478 SPECIFICATIONS
 2. CONCRETE: 4,000 PSI AT 28 DAYS
 3. REINFORCEMENT: #4 BAR @ 12" C.C. E.W. (GRADE 60) - 1.5" MIN. REBAR CLEARANCE (TYP) - DRILL & DOWEL #4 BAR @ 12" C.C. E.W. (GRADE 60) INTO BASE FLOOR FOR WEIR WALL POUR TIE-IN, MIN. 4" PENETRATION INTO FLOOR
 4. SEE FIRST POUR DRAWING FOR BASE DETAILS

FIRST POUR (BASE): 2,789 LBS
SECOND POUR (WEIR WALL): 140 LBS

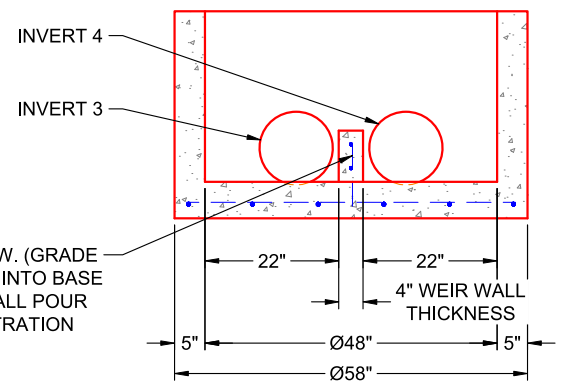
Rim: 696.43' Rim to Invert: 3.53' Slack: 0.36" Sump: 0" Step Position:

Position	Elev	Angle	Ext. (cw)	Pipe	Pipe OD	Connector	Hole	Horz Size	Up (L)	Offset
Invert 1	692.9'	0°	0"	18" HDPE	21.2"	Hole 24	24"	25.133"	-1.625"	0"
Invert 2	692.9'	124°	62.75"	18" HDPE	21.2"	Hole 24	24"	25.133"	-1.625"	0"
Invert 3	692.9'	238°	111.25"	8" HDPE	9.1"	Hole 12	12"	13.195"	-0.5"	-9"
Invert 4	692.9'	238°	129.625"	8" HDPE	9.1"	Hole 12	12"	13.195"	-0.5"	9"
Invert 5										



SECTION A-A (RIGHT SIDE UP)

#4 BAR @ 12" C.C. E.W. (GRADE 60) - DRILL & DOWEL INTO BASE FLOOR FOR WEIR WALL POUR TIE-IN, MIN. 4" PENETRATION INTO FLOOR



SECTION B-B (RIGHT SIDE UP)