

Job Name: 25-2952 - KYTC Jefferson Co Call 106 (251315)  
 Job Location: Indiana, KY  
 Contractor: Louisville Paving and Construction

Plant: 100

5/12/2026 12:59:23 PM

Tech: J. Horsley - A

PC: J. Jarvis



**Structure ID: 120**

**P1 MH048BAVF**

**MH BASE Custom Ht T/n**

- P3) 24" - CASTING HEIGHT - 8"
- P2) 48" - MH FLAT LID w/24in ECC Hole F/G - 12"
- P1) 48" - MH BASE Custom Ht T/n - 22"
- 1) 48" - Conseal CS-102 1.00"
- 2) Hole - 18
- 1) Hole - 16
- 2) MH Step ML-10-TDS-NCR - 10"

0 lb  
 1561 lb  
 2563 lb  
 0 lb  
 0 lb  
 0 lb  
 0 lb  
 -----  
 4124 lb

Structure Total: 4124 lb

Structure Notes:

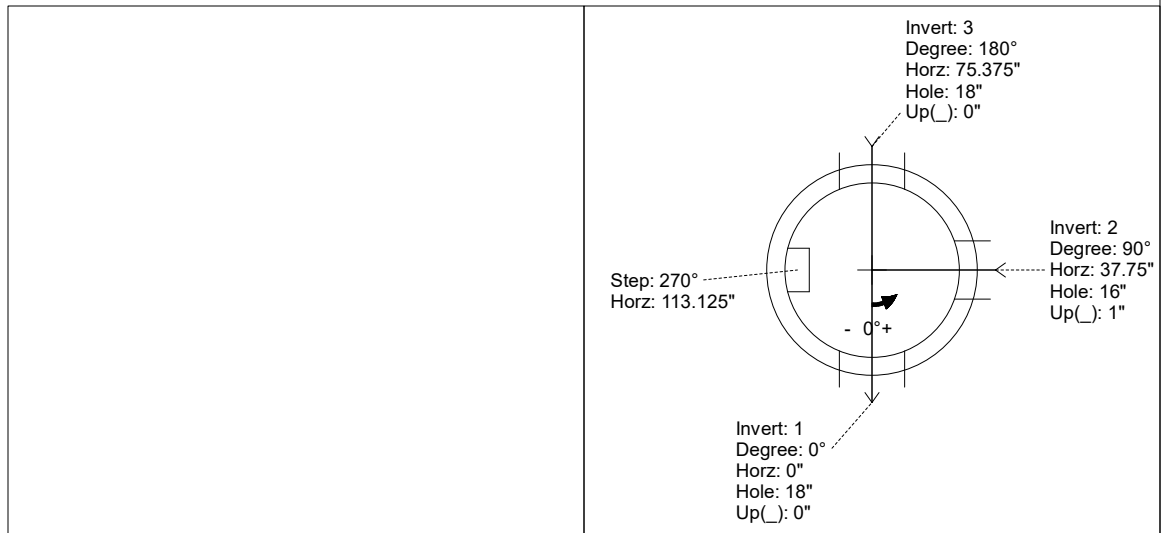
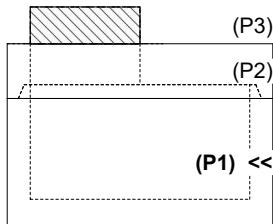
- \*\*KYTC STATE PROJECT\*\*
- 1. PER KYTC MANHOLE TYPE A / ASTM C-478 SPECS
- 2. CONCRETE: 4,000 PSI AT 28 DAYS
- 3. REINFORCEMENT: PER ASTM A615
- 4. NO STORM INVERT
- 5. STEPS AT 270 DEGREES
- 6. HOE KY-510 FRAME & COVER "STORM" SUPPLIED BY OTHERS

Rim: 567.33' Rim to Invert: 3.25' Slack: 0" Sump: 3" Step Position: 0°

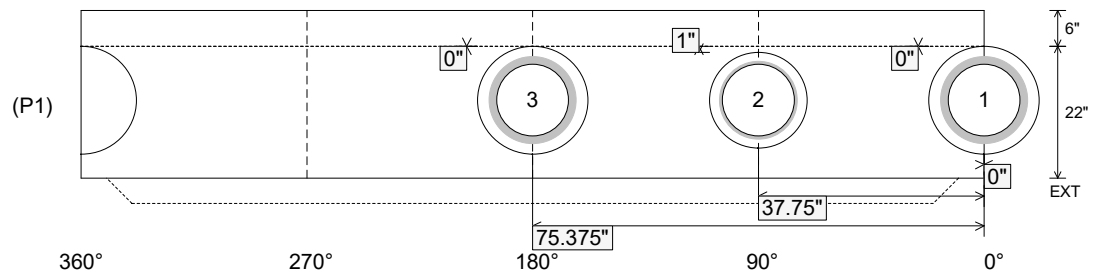
Position	Elev	Angle	Ext. (cw)	Pipe	Pipe OD	Connector	Hole	Horz Size	Up ( )	Offset
Invert 1	564.08'	0°	0"	12" HDPE	14.5"	Hole 18	18"	18.451"	0"	0"
Invert 2	564.08'	90°	45.5"	12" CMP	13"	Hole 16	16"	16.312"	1"	0"
Invert 3	564.08'	180°	91.125"	12" HDPE	14.5"	Hole 18	18"	18.451"	0"	0"
Invert 4										
Invert 5										
Invert 6										
Invert 7										
Invert 8										

RIGHT-SIDE UP VIEW (int. dimensions)

UPSIDE-DOWN VIEW (int. dimensions)



INSIDE WALL DIMENSIONS



Coating (Int):  
 Coating (Ext):

Seam Up: Tongue  
 Seam Dn: n/a

Wall Thickness: 5"  
 Floor Height: 6"

Height (Int): 22"  
 Height (Ext): 28"

Weight (Net): 2563 lb  
 Volume (Net): 0.66cu.yd