

Structure ID: KST3 JBB

P1 BX2424-08BAVF

BOX BASE 8inW, 8inF, Variable Ht F/n

P3) 23.5" - CASTING (cast in) - 0"
 P2) 24" x 24" - BX FLAT LID 8inW SPEC. (KY-206 CAST IN) F/F - 8"
 P1) 24" x 24" - BOX BASE 8inW, 8inF, Variable Ht F/n - 51"
 1) This Structure Includes a Cast-in Item - HOE KY-206 Frame (Supplied by iCast)
 1) CASTING - HOE KY-206 F/C (KY TY1)
 1) 24" x 24" - Conseal CS-102 1.00"
 1) Hole - 24
 1) Hole - 18
 1) Hole - 20

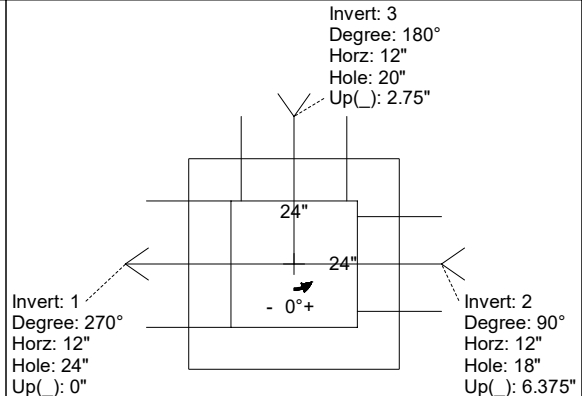
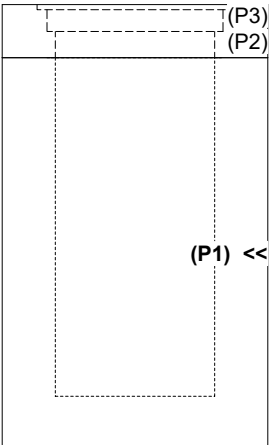
0 lb
 925 lb
 4847 lb
 0 lb
 206 lb
 0 lb
 0 lb
 0 lb
 0 lb
 0 lb
 Structure Total: 5978 lb

Structure Notes:
 1. PER KYTC JB TY B / ASTM C-913 SPECIFICATIONS
 2. CONCRETE: 4,000 PSI AT 28 DAYS
 3. REINFORCEMENT: #5 BAR @ 12" C.C. E.W. (GRADE 60) - 2" MIN. REBAR CLEARANCE (TYP)
 4. NO STORM INVERT
 5. NO STEPS
 6. HOE KY-206 FRAME & COVER "STORM" SUPPLIED BY ICAST - FRAME TO BE CAST INTO FLAT LID FLANGE SIDE UP

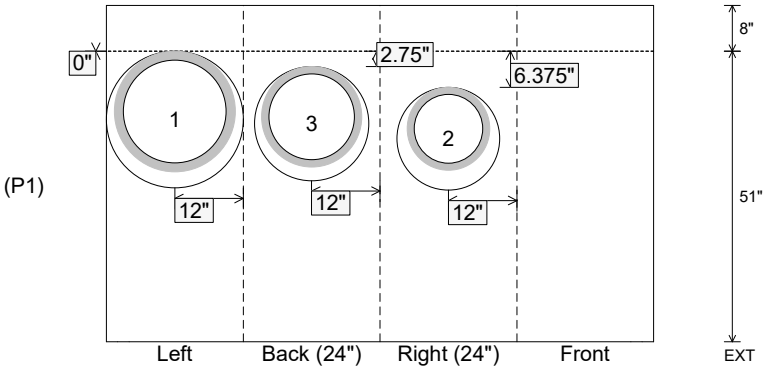
Rim: 543.5' Rim to Invert: 4.8' Slack: 0.2" Sump: 1.6" Step Position:

Position	Elev	Angle	Ext. (cw)	Pipe	Pipe OD	Connector	Hole	Horz Size	Up (↓)	Offset
Invert 1	538.7'	270°	20"	18" HDPE	21.2"	Hole 24	24"	24"	0"	0"
Invert 2	539.2'	90°	20"	12" HDPE	14.5"	Hole 18	18"	18"	6.375"	0"
Invert 3	538.9'	180°	20"	15" HDPE	17.6"	Hole 20	20"	20"	2.75"	0"
Invert 4										
Invert 5										
Invert 6										
Invert 7										
Invert 8										

RIGHT-SIDE UP VIEW (int. dimensions) UPSIDE-DOWN VIEW (int. dimensions)



INSIDE WALL DIMENSIONS



Coating (Int): Coating (Ext):	Seam Up: Flat Seam Dn: n/a	Wall Thickness: 8" Floor Height: 8"	Height (Int): 51" Height (Ext): 59"	Weight (Net): 4847 lb Volume (Net): 1.24cu.yd
----------------------------------	-------------------------------	--	--	--