

Job Name: 26-1230 - Wheelwright WWTP & LS Improvements
 Job Location: Wheelwright, KY
 Contractor: Endesol, Inc.

Plant: 100

5/7/2026 6:25:30 PM

Tech: Jared - F

PC: E. Bradley



Structure ID: 2

P1 BX120264-08W10F-VF

BOX BASE 8inW, 10inF, Variable Ht F/n

P1) 110" x 264" - BOX BASE 8inW, 10inF, Variable Ht - 72"

- 1) Conseal CS-102 1.00" (Double)
- 1) SECONDARY POUR - WALLS
- 1) Hole - 16
- 1) Hole - 12

67093 lb
 0 lb
 0 lb
 0 lb
 0 lb

 Structure Total: 67093 lb

Structure Notes:

- 1. PER ASTM C913 SPECIFICATIONS.
- 2. CONCRETE = 4,000 PSI AT 28 DAYS.

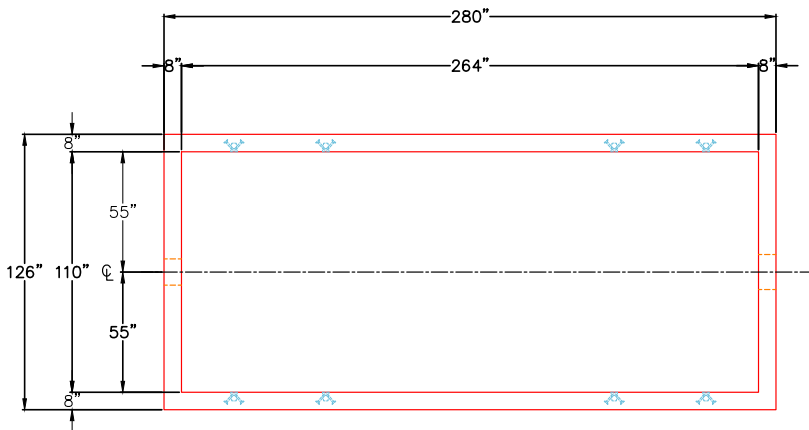
REINFORCING PER ASTM A615 (GRADE 60).
 - WALLS (As .12) #6 BARS AT 8" C.C.E.W.
 - FLOOR (As .12) #6 BARS AT 8" C.C.E.W.

NOTE:
 Fiberglass baffles are to be installed by others.

Rim: 977.82' Rim to Invert: 1.5' Slack: 0" Sump: 54" Step Position:

GENERAL NOTES:

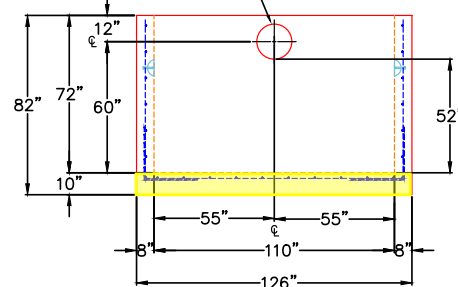
- 1. MANUFACTURED TO ASTM C-913 (LATEST REVISION).
- 2. CONCRETE: 4,000 PSI AT 28 DAYS.
- 3. REINFORCING: #6 BAR @ 8" E.W. O.C. (GRADE 60).
- 4. WEIGHT:
 FIRST POUR - 29,604 LBS.
 SECOND POUR - 37,489 LBS.
 TOTAL - 67,093 LBS.



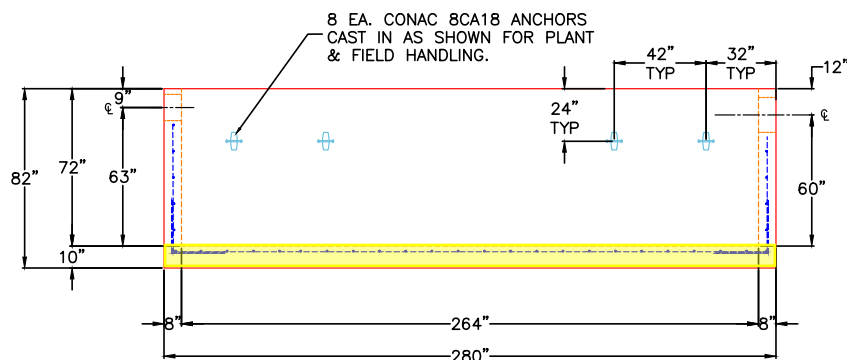
PLAN VIEW

FIRST POUR DRAWING

16" DIA. HOLE FOR 12" DIA. D.I. PIPE UP 52" FROM TOP OF THE FLOOR TO BTM OF HOLE

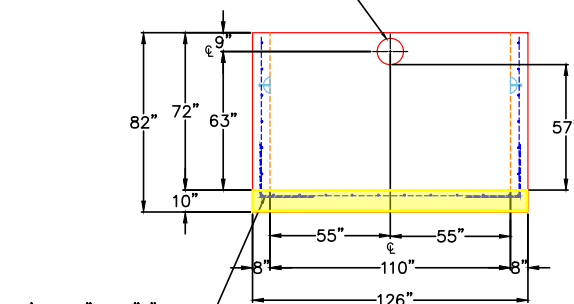


RIGHT VIEW



FRONT VIEW

12" DIA. HOLE FOR 8" DIA. D.I. PIPE UP 57" FROM TOP OF THE FLOOR TO BTM OF HOLE



24' X 24" #5 "L" BAR @12" ON CENTER TIED INTO THE MAT

LEFT VIEW

Coating (Int):
 Coating (Ext):

Seam Up: Flat
 Seam Dn: n/a

Wall Thickness: 8"
 Floor Height: 10"

Height (Int): 72"
 Height (Ext): 82"

Weight (Net): 67093 lb
 Volume (Net): 17.14cu.yd

Job Name: 26-1230 - Wheelwright WWTP & LS Improvements
 Job Location: Wheelwright, KY
 Contractor: Endesol, Inc.

Plant: 100

5/7/2026 6:25:30 PM

Tech: Jared - F

PC: E. Bradley



Structure ID: 2

P1 BX120264-08W10F-VF

BOX BASE 8inW, 10inF, Variable Ht F/n

P1) 110" x 264" - BOX BASE 8inW, 10inF, Variable Ht - 72"

- 1) Conseal CS-102 1.00" (Double)
- 1) SECONDARY POUR - WALLS
- 1) Hole - 16
- 1) Hole - 12

67093 lb

- 0 lb
- 0 lb
- 0 lb
- 0 lb

Structure Total: 67093 lb

Structure Notes:

- 1. PER ASTM C913 SPECIFICATIONS.
- 2. CONCRETE = 4,000 PSI AT 28 DAYS.

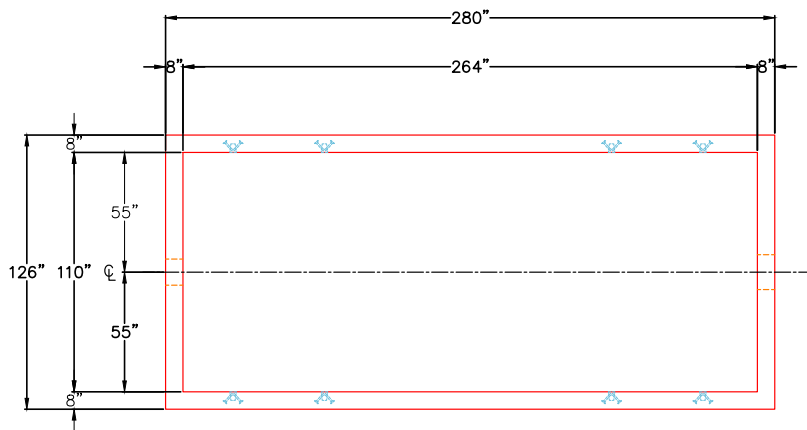
REINFORCING PER ASTM A615 (GRADE 60).
 - WALLS (As .12) #6 BARS AT 8" C.C.E.W.
 - FLOOR (As .12) #6 BARS AT 8" C.C.E.W.

NOTE:
 Fiberglass baffles are to be installed by others.

Rim: 977.82' Rim to Invert: 1.5' Slack: 0" Sump: 54" Step Position:

GENERAL NOTES:

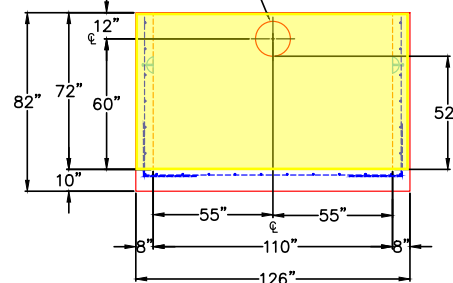
- 1. MANUFACTURED TO ASTM C-913 (LATEST REVISION).
- 2. CONCRETE: 4,000 PSI AT 28 DAYS.
- 3. REINFORCING: #6 BAR @ 8" E.W. O.C. (GRADE 60).
- 4. WEIGHT:
 FIRST POUR - 29,604 LBS.
 SECOND POUR - 37,489 LBS.
 TOTAL - 67,093 LBS.



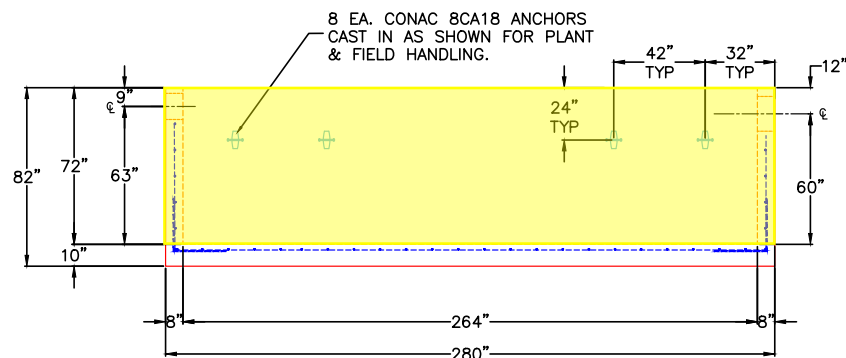
PLAN VIEW

SECOND POUR DRAWING

16" DIA. HOLE FOR 12" DIA. D.I. PIPE UP 52" FROM TOP OF THE FLOOR TO BTM OF HOLE

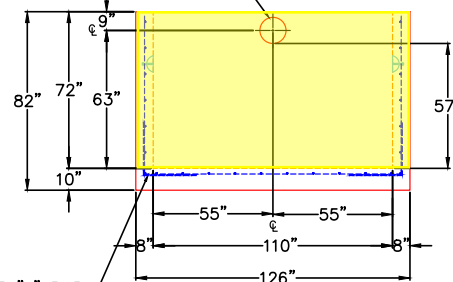


RIGHT VIEW



FRONT VIEW

12" DIA. HOLE FOR 8" DIA. D.I. PIPE UP 57" FROM TOP OF THE FLOOR TO BTM OF HOLE



LEFT VIEW

Coating (Int):
 Coating (Ext):

Seam Up: Flat
 Seam Dn: n/a

Wall Thickness: 8"
 Floor Height: 10"

Height (Int): 72"
 Height (Ext): 82"

Weight (Net): 67093 lb
 Volume (Net): 17.14cu.yd