

Job Name: 24-4171 - McKinney Water District Contract 1B Phase 2
 Job Location: Stanford, KY
 Contractor: Frederick and May Construction

Plant: 100
 5/5/2026 8:17:40 PM

Tech: Jared - F
 PC: E. Bradley



Structure ID: METER VAULT - 3

P1 BX4884-06BAVF-FLAT

BOX BASE 6inW, 6inF, Variable Ht F/n

- P3) 36" x 60" - HATCH (CAST FLUSH) - 3"
- P2) 48" x 84" - CB FLAT TOP 6"W w/36"x60" HATCH F/F - 8"
- P1) 48" x 84" - BOX BASE 6inW, 6inF, Variable Ht F/n - 54"
- 1) HATCH (Alum.) - HALLIDAY W1S 36"x60"
- 1) 48" x 84" - Conseal CS-102 1.00" (Double)
- 1) 36" x 60" - Conseal CS-102 1.00" (Double)
- 2) Hole - 6

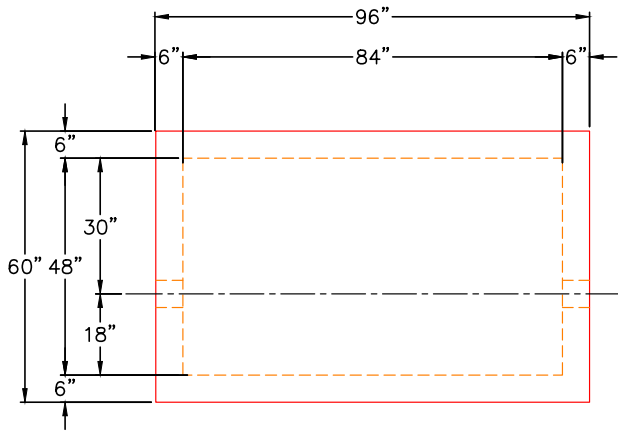
100 lb
 2417 lb
 10702 lb
 116 lb
 0 lb
 0 lb
 0 lb

 Structure Total: 13334 lb

Structure Notes:
 1. PER ASTM C913 SPECIFICATIONS.
 2. CONCRETE = 4,000 PSI AT 28 DAYS.
 3. NO STEPS AND NO INVERT CHANNEL.
 4. HATCH SUPPLIED BY ICAST (HALLIDAY W1S 36"x60").

REINFORCING PER ASTM A615 (GRADE 60).
 - TOP SLAB (As .62) #5 BARS AT 6" C.C.E.W.
 - WALLS (As .12) #5 BARS AT 12" C.C.E.W.
 - FLOOR (As .12) #5 BARS AT 12" C.C.E.W.

Rim: 5.167' Rim to Invert: 4' Slack: 0" Sump: 14" Step Position:

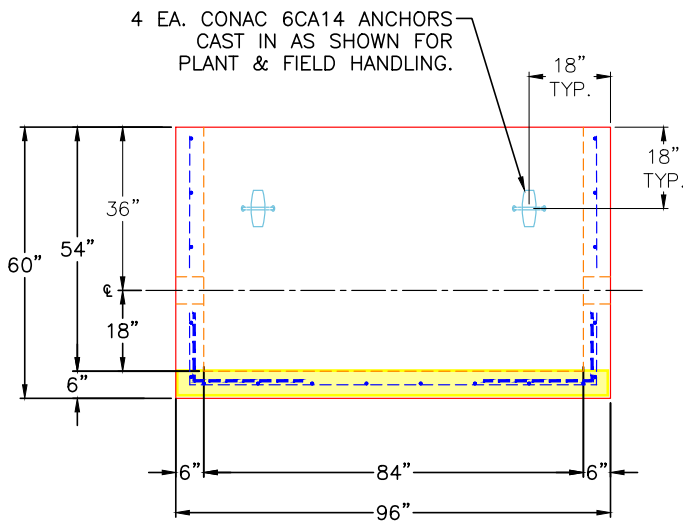


PLAN VIEW

GENERAL NOTES:

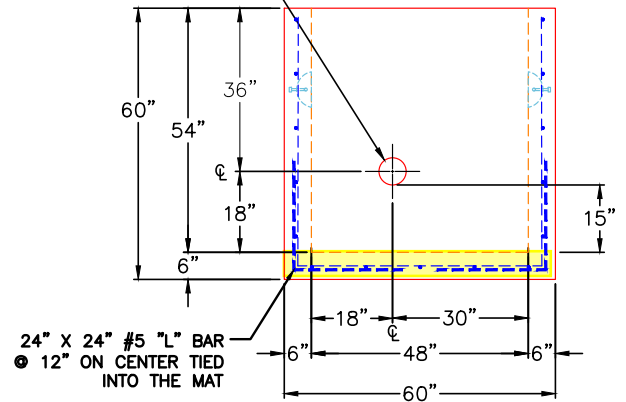
1. MANUFACTURED TO ASTM C-913 (LATEST REVISION).
2. CONCRETE: 4,000 PSI AT 28 DAYS.
3. REINFORCING: #5 BAR @ 12" E.W. O.C. (GRADE 60).
4. WEIGHT:
 FIRST POUR - 2,900 LBS.
 SECOND POUR - 7,830 LBS.
 TOTAL - 10,730 LBS.

FIRST POUR DRAWING



FRONT VIEW

6" HOLE FOR 2" DIA. PIPE UP 15" FROM TOP OF FLOOR TO BTM OF HOLE NEAR WALL AND FAR WALL



RIGHT VIEW

Coating (Int):
 Coating (Ext):

Seam Up: Flat
 Seam Dn: n/a

Wall Thickness: 6"
 Floor Height: 6"

Height (Int): 54"
 Height (Ext): 60"

Weight (Net): 10702 lb
 Volume (Net): 2.73cu.yd

Job Name: 24-4171 - McKinney Water District Contract 1B Phase 2
 Job Location: Stanford, KY
 Contractor: Frederick and May Construction

Plant: 100

5/5/2026 8:17:40 PM

Tech: Jared - F

PC: E. Bradley



Structure ID: METER VAULT - 3

P1 BX4884-06BAVF-FLAT

BOX BASE 6inW, 6inF, Variable Ht F/n

- P3) 36" x 60" - HATCH (CAST FLUSH) - 3"
- P2) 48" x 84" - CB FLAT TOP 6"W w/36"x60" HATCH F/F - 8"
- P1) 48" x 84" - BOX BASE 6inW, 6inF, Variable Ht F/n - 54"
- 1) HATCH (Alum.) - HALLIDAY W1S 36"x60"
- 1) 48" x 84" - Conseal CS-102 1.00" (Double)
- 1) 36" x 60" - Conseal CS-102 1.00" (Double)
- 2) Hole - 6

100 lb
 2417 lb
 10702 lb
 116 lb
 0 lb
 0 lb
 0 lb

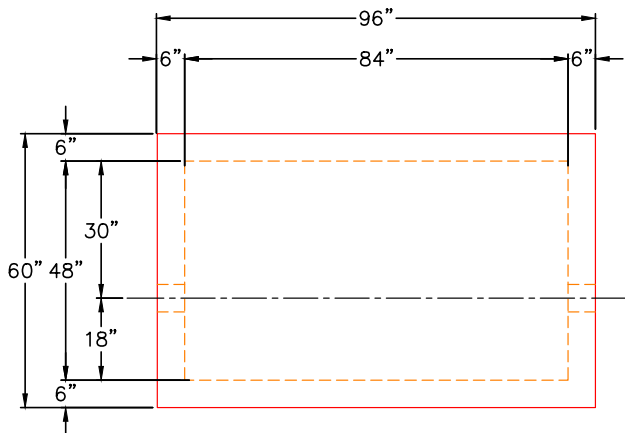
Structure Total: 13334 lb

Structure Notes:

1. PER ASTM C913 SPECIFICATIONS.
2. CONCRETE = 4,000 PSI AT 28 DAYS.
3. NO STEPS AND NO INVERT CHANNEL.
4. HATCH SUPPLIED BY ICAST (HALLIDAY W1S 36"x60").

REINFORCING PER ASTM A615 (GRADE 60).
 - TOP SLAB (As .62) #5 BARS AT 6" C.C.E.W.
 - WALLS (As .12) #5 BARS AT 12" C.C.E.W.
 - FLOOR (As .12) #5 BARS AT 12" C.C.E.W.

Rim: 5.167' Rim to Invert: 4' Slack: 0" Sump: 14" Step Position:

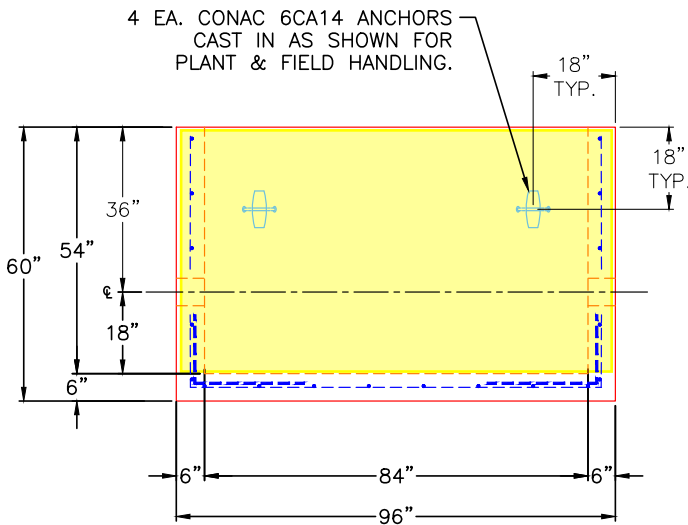


PLAN VIEW

GENERAL NOTES:

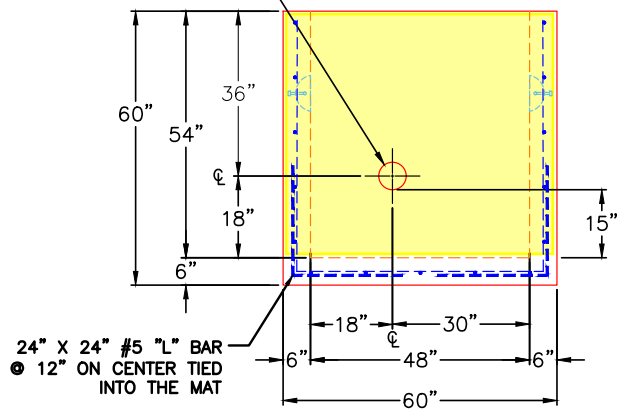
1. MANUFACTURED TO ASTM C-913 (LATEST REVISION).
2. CONCRETE: 4,000 PSI AT 28 DAYS.
3. REINFORCING: #5 BAR @ 12" E.W. O.C. (GRADE 60).
4. WEIGHT:
 FIRST POUR - 2,900 LBS.
 SECOND POUR - 7,830 LBS.
 TOTAL - 10,730 LBS.

SECOND POUR DRAWING



FRONT VIEW

6" HOLE FOR 2" DIA. PIPE
 UP 15" FROM TOP OF
 FLOOR TO BTM OF HOLE
 NEAR WALL AND FAR WALL



RIGHT VIEW

Coating (Int):
 Coating (Ext):

Seam Up: Flat
 Seam Dn: n/a

Wall Thickness: 6"
 Floor Height: 6"

Height (Int): 54"
 Height (Ext): 60"

Weight (Net): 10702 lb
 Volume (Net): 2.73cu.yd