

Job Name: 26-2076 - Middletown Community Center  
 Job Location: Middletown, KY  
 Contractor: Core & Main LP (Lou)

Plant: 100

5/14/2026 8:56:21 AM

Tech: Jared - A

PC: T. Lewis



**Structure ID: 0+39.29 ST-MH**

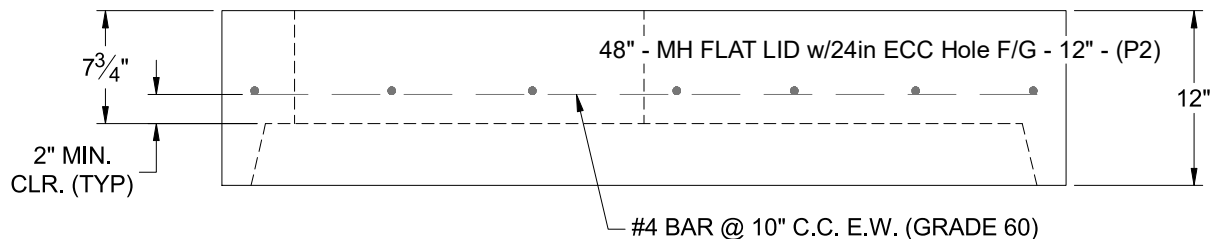
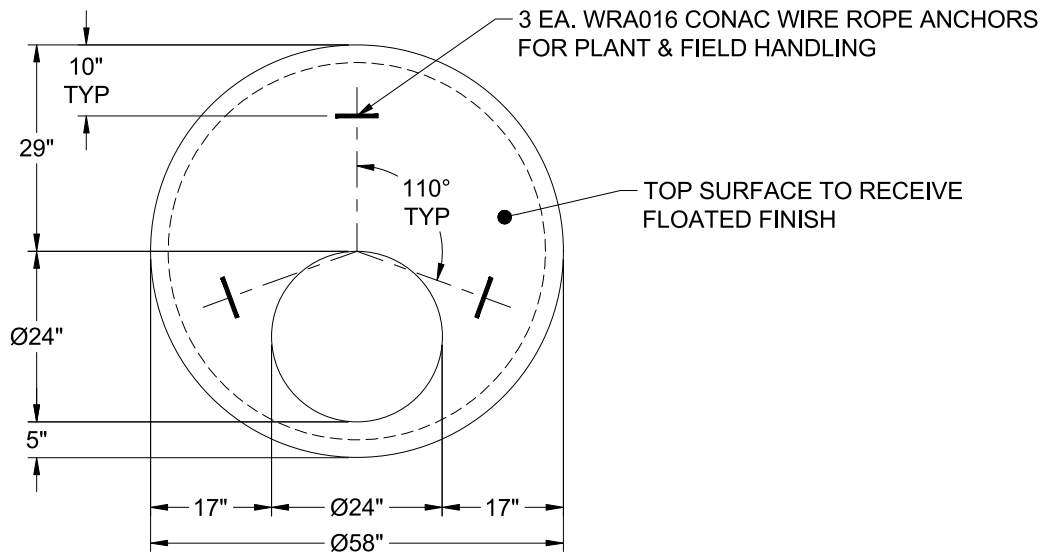
**P2 MH048LD12ECC**

**MH FLAT LID w/24in ECC Hole F/G**

- P3) 24" - CASTING HEIGHT - 7"
- P2) 48" - MH FLAT LID w/24in ECC Hole F/G - 12"
- P1) 48" - MH BASE T/n - 36"
- 1) CASTING - HOE MC-420 F/C Storm
- 1) 48" - Conseal CS-102 1.00"
- 1) 24" - Conseal CS-102 1.00"
- 2) Hole - 14
- 3) MH Step ML-10-TDS-NCR - 10"

	0 lb
	1561 lb
	3714 lb
	340 lb
	0 lb
	0 lb
	0 lb
	0 lb
Structure Total:	5615 lb

- Structure Notes:
1. PER ASTM C-478 SPECIFICATIONS
  2. CONCRETE: 4,000 PSI AT 28 DAYS
  3. REINFORCEMENT: #4 BAR @ 10" C.C. E.W. (GRADE 60) - 2" MIN. REBAR CLEARANCE (TYP)
  4. HOE MC-420 FRAME & COVER "STORM" SUPPLIED BY ICAST
  5. LIFTERS: 3 EA. WRA016 CONAC WIRE ROPE ANCHORS FOR PLANT & FIELD HANDLING
  6. TOP SURFACE TO RECEIVE FLOATED FINISH



Coating (Int):  
 Coating (Ext):

Seam Up: Flat  
 Seam Dn: Groove

Wall Thickness: 5"

Height (Ext): 12"

Weight (Net): 1561 lb  
 Volume (Net): 0.4cu.yd