

Job Name: 26-2076 - Middletown Community Center
 Job Location: Middletown, KY
 Contractor: Core & Main LP (Lou)

Plant: 100

Tech: Jared - A

5/14/2026 8:55:38 AM

PC: T. Lewis



Structure ID: 0+39.29 ST-MH

P1 MH048BA36

MH BASE T/n

- P3) 24" - CASTING HEIGHT - 7"
- P2) 48" - MH FLAT LID w/24in ECC Hole F/G - 12"
- P1) 48" - MH BASE T/n - 36"
- 1) CASTING - HOE MC-420 F/C Storm
- 1) 48" - Conseal CS-102 1.00"
- 1) 24" - Conseal CS-102 1.00"
- 2) Hole - 14
- 3) MH Step ML-10-TDS-NCR - 10"

0 lb
 1561 lb
 3714 lb
 340 lb
 0 lb
 0 lb
 0 lb
 0 lb

 5615 lb

Structure Total:

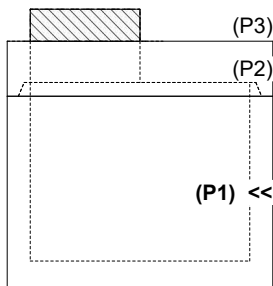
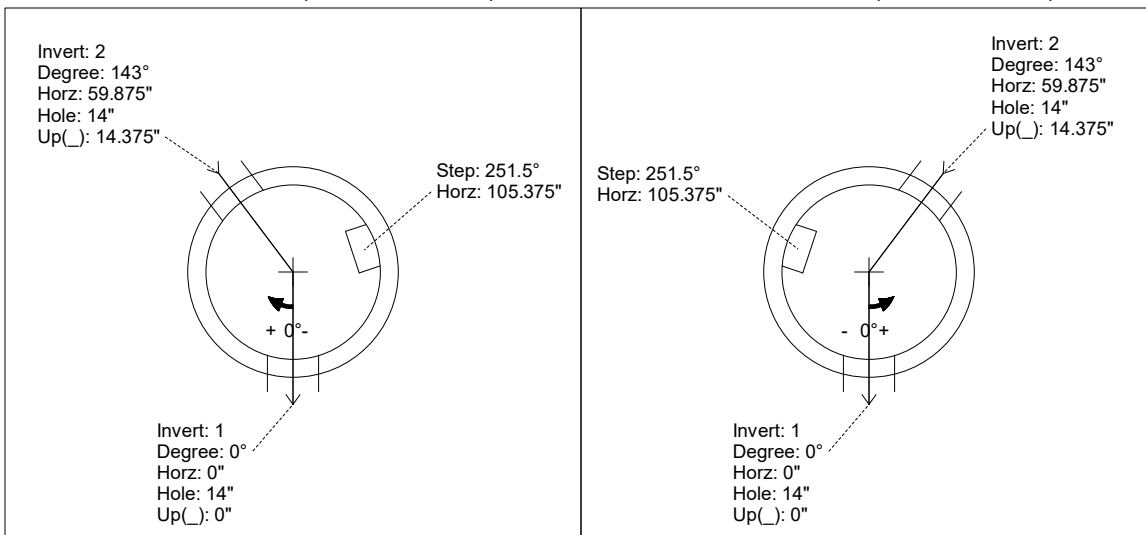
- Structure Notes:**
1. PER ASTM C-478 SPECIFICATIONS
 2. CONCRETE: 4,000 PSI AT 28 DAYS
 3. REINFORCEMENT: PER ASTM A615
 4. NO STORM INVERT
 5. STEPS AT 251.5 DEGREES
 6. HOE MC-420 FRAME & COVER "STORM" SUPPLIED BY ICAST

Rim: 717.72' Rim to Invert: 4.61' Slack: 1.02" Sump: 0.7" Step Position: 251.5°

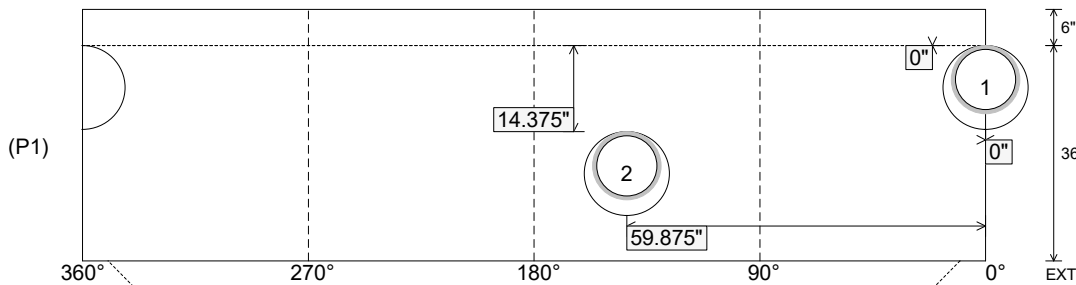
Position	Elev	Angle	Ext. (cw)	Pipe	Pipe OD	Connector	Hole	Horz Size	Up ()	Offset
Invert 1	713.11'	0°	0"	10" HDPE	11.4"	Hole 14	14"	14.207"	0"	0"
Invert 2	714.31'	143°	72.375"	10" HDPE	11.4"	Hole 14	14"	14.207"	14.375"	0"
Invert 3										
Invert 4										
Invert 5										
Invert 6										
Invert 7										
Invert 8										

RIGHT-SIDE UP VIEW (int. dimensions)

UPSIDE-DOWN VIEW (int. dimensions)



INSIDE WALL DIMENSIONS



Coating (Int):
 Coating (Ext):

Seam Up: Tongue
 Seam Dn: n/a

Wall Thickness: 5"
 Floor Height: 6"

Height (Int): 36"
 Height (Ext): 42"

Weight (Net): 3714 lb
 Volume (Net): 0.95cu.yd