

Job Name: 25-4279 - KYTC Christian Co (251031)  
 Job Location: Hopkinsville, KY  
 Contractor: CITCO Water

Plant: 100

5/8/2026 11:23:23 AM

Tech: Jared- F

PC: C. Goff



**Structure ID: MH-1**

**P2 MH048RSVF**

**MH RISER Custom Ht T/F**

- P5) 24" - CASTING HEIGHT - 7" 0 lb
  - P4) 48" - ECC CONE w/ 24" HOLE F/G - 42" 3200 lb
  - P3) 48" - MH RISER T/G - 60" 4192 lb
  - P2) 48" - MH RISER Custom Ht T/F - 34" 2166 lb
  - P1) 48" - P.I.P. BY OTHERS - BTM SLAB F/n - 0" 0 lb
  - 1) JOINT WRAP - 0.065"x6"x50' CONSEAL CS212 0 lb
  - 1) JOINT WRAP PRIMER - CONSEAL CS-75 (1 gal.) 0 lb
  - 1) ADMIXTURE CONBLOCK CDA RED 0 lb
  - 3) 48" - Conseal CS-102 1.00" (Double) 0 lb
  - 1) DOGHOUSE - 12"x12" 0 lb
  - 2) DOGHOUSE - 10"x12" 0 lb
  - 12) MH Step ML-10-TDS-NCR - 10" 0 lb
- Structure Total: 9558 lb

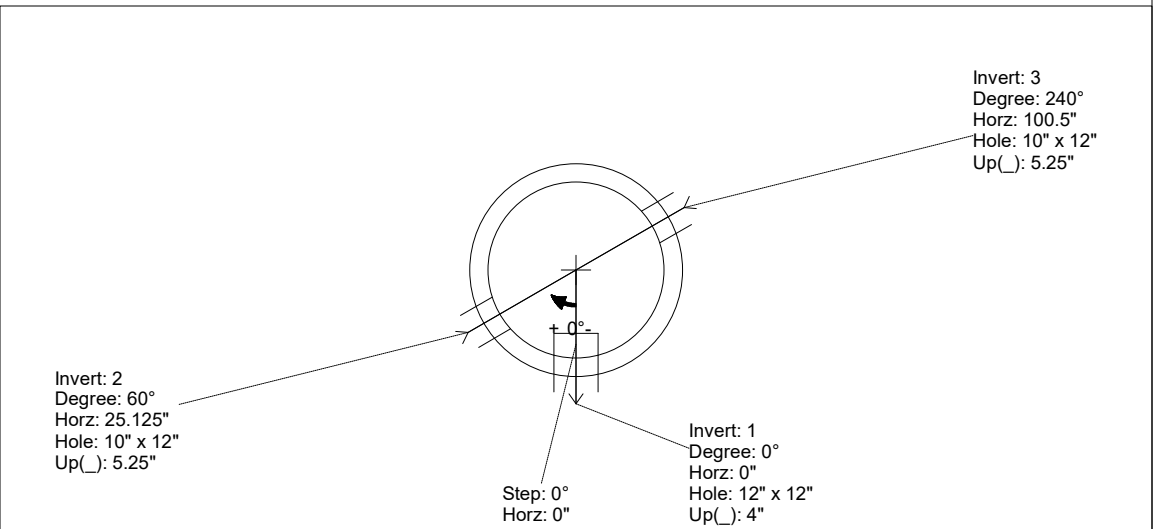
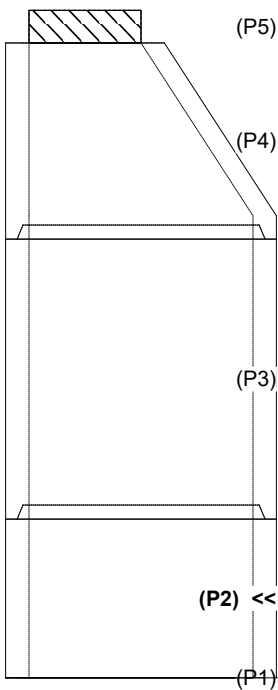
**Structure Notes:**  
 1. PER ASTM C478 SPECIFICATIONS.  
 2. CONCRETE = 4,000 PSI AT 28 DAYS.  
 3. ADMIXTURE = CONBLOCK CDA RED.  
 4. CASTING SUPPLIED BY OTHERS.

REINFORCING PER ASTM A615 (GRADE 60).  
 - CONE (As .12)  
 - RISER/WALLS (As .18)

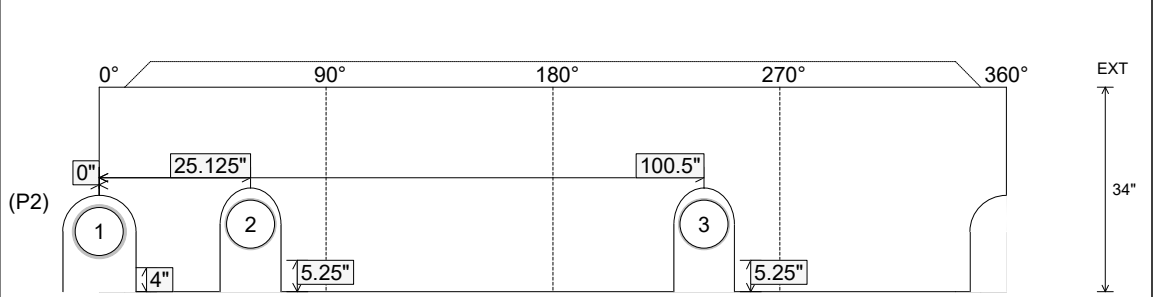
Rim: 564.5' Rim to Invert: 11.44' Slack: 0.28" Sump: 6" Step Position: 0°

Position	Elev	Angle	Ext. (cw)	Pipe	Pipe OD	Connector	Hole	Horz Size	Up ( )	Offset
Invert 1	553.06'	0°	0"	8" DI	9"	DOGHOUSE 12"x12"	12" x 12"	12.129"	4"	0"
Invert 2	553.16'	60°	30.375"	8" PVC SDR35	8.5"	DOGHOUSE 10"x12"	10" x 12"	10.074"	5.25"	0"
Invert 3	553.16'	240°	121.5"	8" PVC SDR35	8.5"	DOGHOUSE 10"x12"	10" x 12"	10.074"	5.25"	0"
Invert 4										
Invert 5										
Invert 6										
Invert 7										
Invert 8										

**RIGHT-SIDE UP VIEW (int. dimensions)**



**INSIDE WALL DIMENSIONS**



Coating (Int): Coating (Ext):	Seam Up: Tongue Seam Dn: Flat	Wall Thickness: 5" Floor Height: 0"	Height (Int): 34" Height (Ext): 34"	Weight (Net): 2166 lb Volume (Net): 0.55cu.yd
----------------------------------	----------------------------------	--	--	--