

Job Name: 25-4279 - KYTC Christian Co (251031)
 Job Location: Hopkinsville, KY
 Contractor: CITCO Water

Plant: 100
 5/8/2026 11:22:08 AM

Tech: Jared- F
 PC: C. Goff



Structure ID: FM

P1 MH060BAVFCDARED

MH BASE Custom Ht, w/ConBlock-CDA Red T/n

- P2) 60" - MH FLAT TOP w/36"x42" Hatch w/ConBlock-CDA Red F/G - 13"
- P1) 60" - MH BASE Custom Ht, w/ConBlock-CDA Red T/n - 59"
- 1) JOINT WRAP PRIMER - CONSEAL CS-75 (1 gal.)
- 1) JOINT WRAP - 0.065"x6"x50' CONSEAL CS212
- 1) ADMIXTURE CONBLOCK CDA RED
- 1) 60" - Conseal CS-102 1.00" (Double)
- 2) Hole - 8

1993 lb
 8842 lb
 0 lb
 0 lb
 0 lb
 0 lb
 0 lb
 0 lb

Structure Total: 10834 lb

Structure Notes:
 1. PER ASTM C478 SPECIFICATIONS.
 2. CONCRETE = 4,000 PSI AT 28 DAYS.
 3. NO STEPS AND NO INVERT CHANNEL.
 4. ADMIXTURE = CONBLOCK CDA RED.
 5. ALUMINUM HATCH SUPPLIED BY OTHERS & CAST IN TOP SLAB BY ICAST. CENTERED LOCATION TO BE VERIFIED.

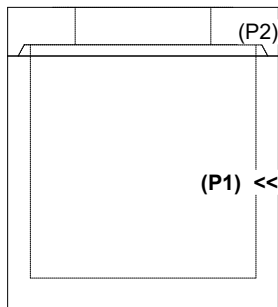
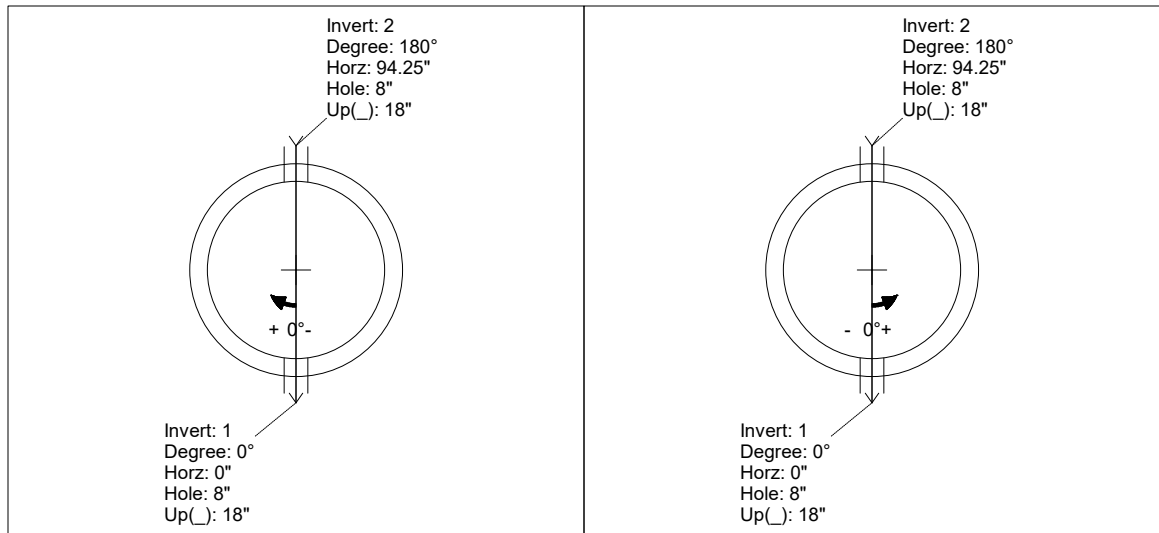
REINFORCING PER ASTM A615 (GRADE 60).
 - TOP SLAB (As .62) #5 BARS AT 6" C.C.E.W.
 - RISER/WALLS (As .18)
 - FLOOR (As .31) #5 BARS AT 12" C.C.E.W.

Rim: 6' Rim to Invert: 4.333' Slack: 0" Sump: 20" Step Position:

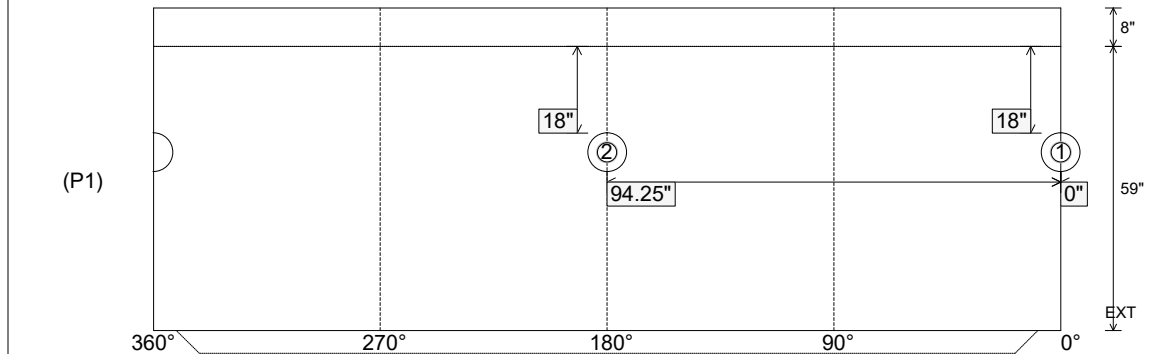
Position	Elev	Angle	Ext. (cw)	Pipe	Pipe OD	Connector	Hole	Horz Size	Up ()	Offset
Invert 1	1.667'	0°	0"	4" PVC SDR21	4.375"	Hole 8	8"	8.024"	18"	0"
Invert 2	1.667'	180°	113.125"	4" PVC SDR21	4.375"	Hole 8	8"	8.024"	18"	0"
Invert 3										
Invert 4										
Invert 5										
Invert 6										
Invert 7										
Invert 8										

RIGHT-SIDE UP VIEW (int. dimensions)

UPSIDE-DOWN VIEW (int. dimensions)



INSIDE WALL DIMENSIONS



Coating (Int): Coating (Ext):	Seam Up: Tongue Seam Dn: n/a	Wall Thickness: 6" Floor Height: 8"	Height (Int): 59" Height (Ext): 67"	Weight (Net): 8842 lb Volume (Net): 2.26cu.yd
----------------------------------	---------------------------------	--	--	--