

Job Name: 25-3452 - Churchill Downs Skye Terrace Improvements
 Job Location: Louisville, KY 40208
 Contractor: Louisville Paving and Construction

Plant: 100
 4/30/2026 1:21:56 PM

Tech: Jared - F
 PC: J. Jarvis



Structure ID: S304

P1 MH060BAVF

MH BASE Custom Ht T/n

- P4) 24" - CASTING HEIGHT - 7"
- P3) 60" - MH FLAT TOP w/ 24" ECC Hole F/G - 13"
- P2) 60" - MH RISER T/G - 42"
- P1) 60" - MH BASE Custom Ht T/n - 70"
- 1) CASTING - HOE MC-420 F/C Storm
- 2) 60" - Conseal CS-102 1.00"
- 2) Hole - 44
- 1) Hole - 14
- 10) MH Step ML-10-TDS-NCR - 10"

0 lb
 2869 lb
 4384 lb
 8280 lb
 340 lb
 0 lb
 0 lb
 0 lb
 0 lb
 0 lb

Structure Total: 15873 lb

- Structure Notes:**
1. PER ASTM C478 SPECIFICATIONS.
 2. CONCRETE = 4,000 PSI AT 28 DAYS.
 3. NO INVERT CHANNEL.
 4. CASTING BY ICAST (HOE MC-420 F/C STORM)

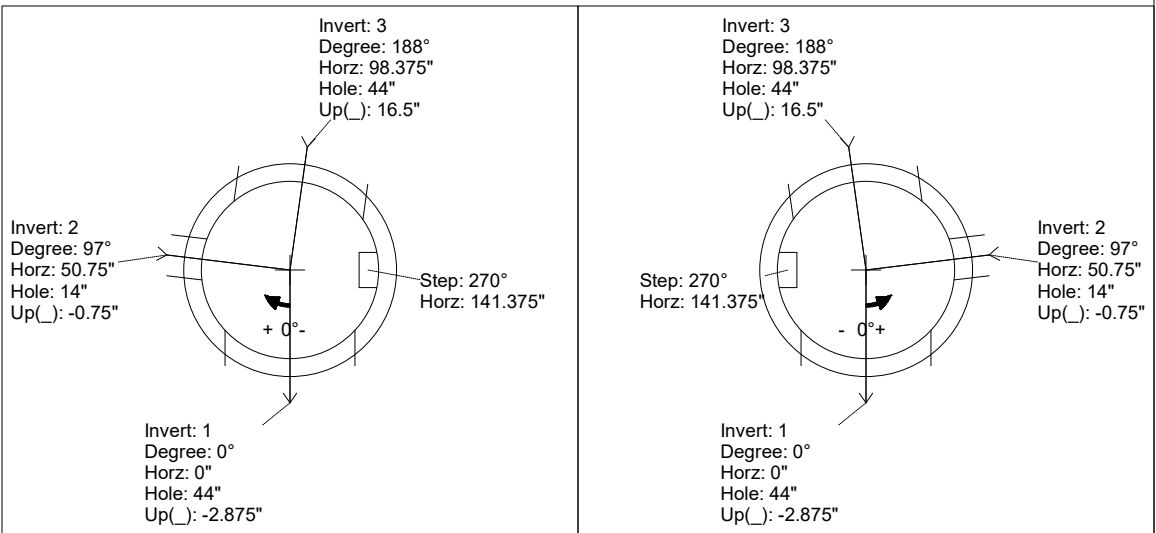
REINFORCING PER ASTM A615 (GRADE 60).
 - TOP SLAB (As .62) #5 BARS AT 6" C.C.E.W..
 - RISER/WALLS (As .18)
 - FLOOR (As .37) #5 BARS AT 10" C.C.E.W.

Rim: 455.95' Rim to Invert: 11.07' Slack: 0.84" Sump: 0" Step Position: 270°

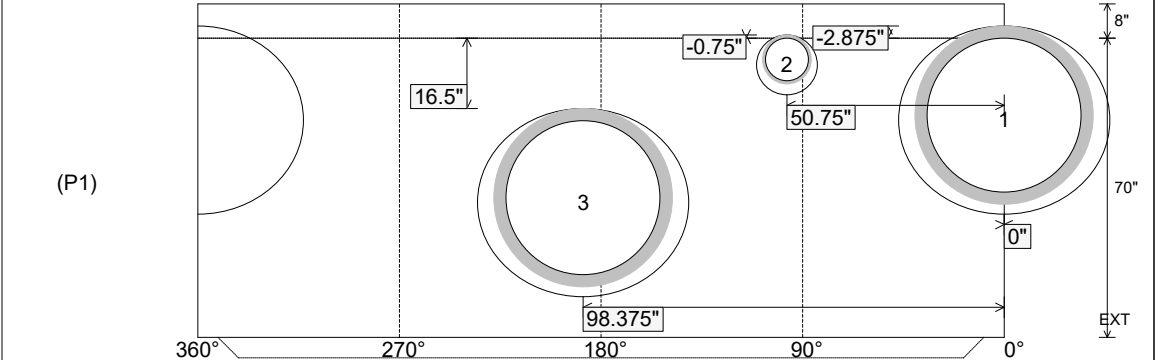
| Position | Elev | Angle | Ext. (cw) | Pipe | Pipe OD | Connector | Hole | Horz Size | Up () | Offset |
|----------|---------|-------|-----------|----------|---------|-----------|------|-----------|---------|--------|
| Invert 1 | 444.88' | 0° | 0" | 36" HDPE | 41.7" | Hole 44 | 44" | 49.393" | -2.875" | 0" |
| Invert 2 | 444.88' | 97° | 61" | 10" HDPE | 11.4" | Hole 14 | 14" | 14.13" | -0.75" | 0" |
| Invert 3 | 446.49' | 188° | 118.125" | 36" HDPE | 41.7" | Hole 44 | 44" | 49.393" | 16.5" | 0" |
| Invert 4 | | | | | | | | | | |
| Invert 5 | | | | | | | | | | |
| Invert 6 | | | | | | | | | | |
| Invert 7 | | | | | | | | | | |
| Invert 8 | | | | | | | | | | |

RIGHT-SIDE UP VIEW (int. dimensions)

UPSIDE-DOWN VIEW (int. dimensions)



INSIDE WALL DIMENSIONS



| | | | | |
|----------------------------------|---------------------------------|----------------------------------------|----------------------------------------|--------------------------------------------------|
| Coating (Int): Coating (Ext): | Seam Up: Tongue Seam Dn: n/a | Wall Thickness: 6" Floor Height: 8" | Height (Int): 70" Height (Ext): 78" | Weight (Net): 8280 lb Volume (Net): 2.12cu.yd |
|----------------------------------|---------------------------------|----------------------------------------|----------------------------------------|--------------------------------------------------|