

Job Name: 25-2952 - KYTC Jefferson Co Call 106 (251315)	Plant: 100	Tech: J. Horsley - A	
Job Location: Indiana, KY Contractor: Louisville Paving and Construction	5/12/2026 12:59:32 PM	PC: J. Jarvis	

Structure ID: 143

P1 BX2436-08BVF

BOX BASE 8inW, 8inF, Variable Ht F/n

P3) 15" x 27" - P.I.P. - BY OTHERS - 8"	0 lb
P2) 24" x 36" - CB FLAT TOP 8"W w/15"x27" HOLE F/F - 8"	1124 lb
P1) 24" x 36" - BOX BASE 8inW, 8inF, Variable Ht F/n - 33"	4316 lb
1) 24" x 36" - Conseal CS-102 1.00"	0 lb
1) 15" x 27" - Conseal CS-102 1.00"	0 lb
1) 20" x 16" - Arched Hole (CMP)	0 lb
1) Hole - 20	0 lb
2) Hole - 4	0 lb
Structure Total:	5440 lb

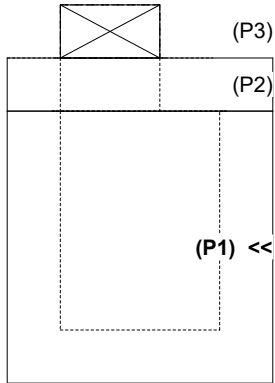
Structure Notes:
****KYTC STATE PROJECT****
 1. PER KYTC DBI TYPE 13G / ASTM C-913 SPECS
 2. CONCRETE: 4,000 PSI AT 28 DAYS
 3. REINFORCEMENT: #5 BAR @ 12" C.C. E.W. (GRADE 60) - 2" MIN. REBAR CLEARANCE (TYP)
 4. NO STORM INVERT
 5. NO STEPS
 6. HOE KY-230G FRAME & GRATE SUPPLIED BY OTHERS

Rim: 560.48' Rim to Invert: 4.12' Slack: 0.44" Sump: 0" Step Position:

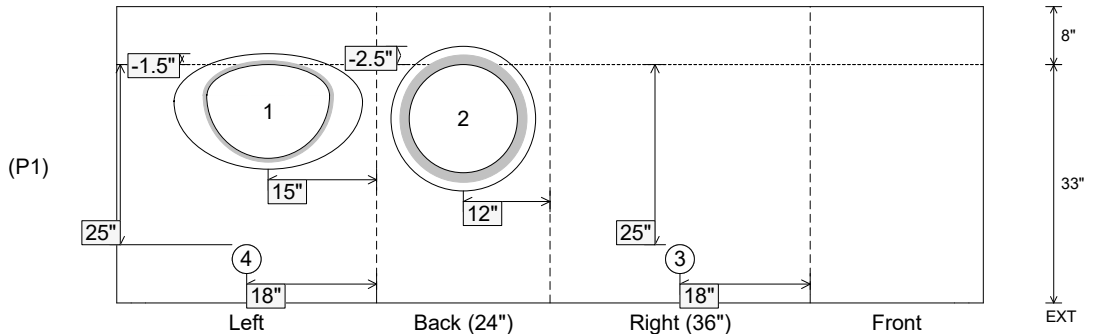
Position	Elev	Angle	Ext. (cw)	Pipe	Pipe OD	Connector	Hole	Horz Size	Up ()	Offset
Invert 1	556.36'	310°	29.75"	17" x 13" CMP ARCH	18" x 14"	20" x 16" Arched Hole (CMP)	20" x 16"	26.108"	-1.5"	-10"
Invert 2	556.36'	180°	20"	15" HDPE	17.6"	Hole 20	20"	20"	-2.5"	0"
Invert 3	558.44'	90°	26"	4" WEEP HOLE	4"	Hole 4	4"	4"	25"	0"
Invert 4	558.44'	270°	26"	4" WEEP HOLE	4"	Hole 4	4"	4"	25"	0"
Invert 5										
Invert 6										
Invert 7										
Invert 8										

RIGHT-SIDE UP VIEW (int. dimensions)

UPSIDE-DOWN VIEW (int. dimensions)



INSIDE WALL DIMENSIONS



Coating (Int): Coating (Ext):	Seam Up: Flat Seam Dn: n/a	Wall Thickness: 8" Floor Height: 8"	Height (Int): 33" Height (Ext): 41"	Weight (Net): 4316 lb Volume (Net): 1.1cu.yd
----------------------------------	-------------------------------	--	--	---