

Structure ID: 121

P1 MH048BAVF

MH BASE Custom Ht T/n

P3) 24" - CASTING HEIGHT - 8" P2) 48" - MH FLAT LID w/24in ECC Hole F/G - 12" P1) 48" - MH BASE Custom Ht T/n - 28" 1) 48" - Conseal CS-102 1.00" 1) Hole - 20 1) Hole - 18 1) Hole - 16 2) MH Step ML-10-TDS-NCR - 10"	0 lb 1561 lb 2956 lb 0 lb 0 lb 0 lb 0 lb 0 lb 0 lb ----- 4517 lb	Structure Notes: **KYTC STATE PROJECT** 1. PER KYTC MANHOLE TYPE A / ASTM C-478 SPECS 2. CONCRETE: 4,000 PSI AT 28 DAYS 3. REINFORCEMENT: PER ASTM A615 4. NO STORM INVERT 5. STEPS AT 270 DEGREES 6. HOE KY-510 FRAME & COVER "STORM" SUPPLIED BY OTHERS
--	--	--

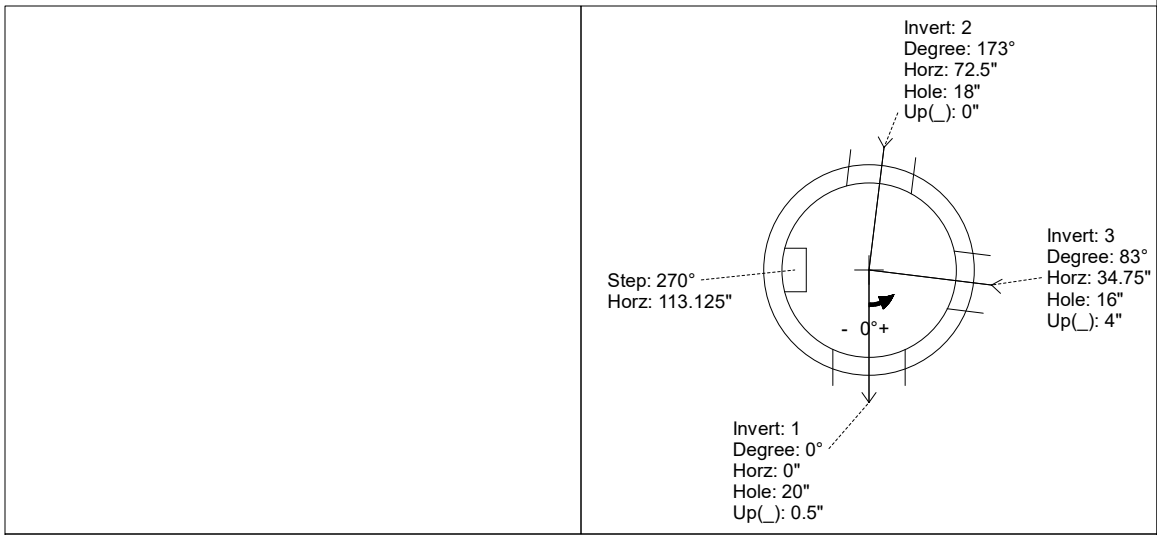
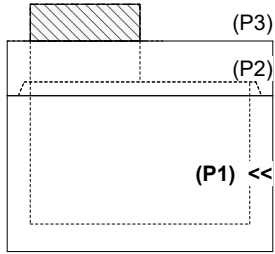
Structure Total: 4517 lb

Rim: 567.08' Rim to Invert: 3.75' Slack: 0" Sump: 3" Step Position: 270

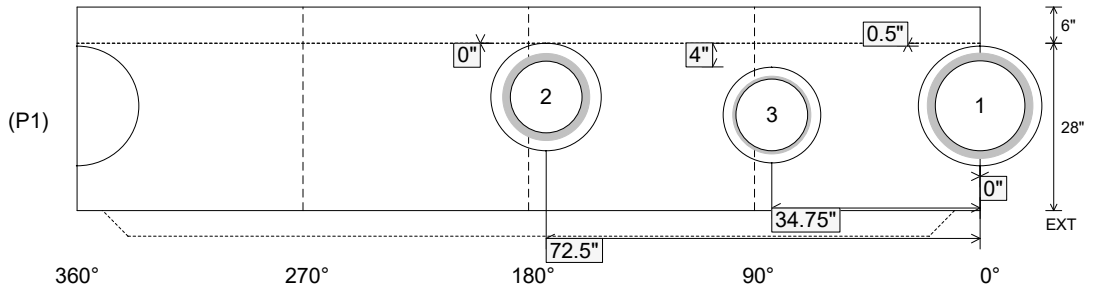
Position	Elev	Angle	Ext. (cw)	Pipe	Pipe OD	Connector	Hole	Horz Size	Up ()	Offset
Invert 1	563.33'	0°	0"	15" HDPE	17.6"	Hole 20	20"	20.629"	0.5"	0"
Invert 2	563.33'	173°	87.625"	12" HDPE	14.5"	Hole 18	18"	18.451"	0"	0"
Invert 3	563.58'	83°	42"	12" CMP	13"	Hole 16	16"	16.312"	4"	0"
Invert 4										
Invert 5										
Invert 6										
Invert 7										
Invert 8										

RIGHT-SIDE UP VIEW (int. dimensions)

UPSIDE-DOWN VIEW (int. dimensions)



INSIDE WALL DIMENSIONS



Coating (Int): Coating (Ext):	Seam Up: Tongue Seam Dn: n/a	Wall Thickness: 5" Floor Height: 6"	Height (Int): 28" Height (Ext): 34"	Weight (Net): 2956 lb Volume (Net): 0.76cu.yd
----------------------------------	---------------------------------	--	--	--