

Job Name: 24-4053B - East Heights Elementary (Storm)	Plant: Beaver Dam, KY	Tech: K. Cardwell	
Job Location: Henderson, KY 42420	5/7/2026 7:30:21 AM	PC: J. Jarvis	
Contractor: Tim Klenck Demolition LLC			

Structure ID: R6

P1 BX2424-08BAVF

BOX BASE 8inW, 8inF, Variable Ht F/n

P2) 24" x 24" - CASTING HEIGHT - 4"
P1) 24" x 24" - BOX BASE 8inW, 8inF, Variable Ht F/n - 22"
1) CASTING - HOE 280T F/G
1) 24" x 24" - Conseal CS-102 1.00"
2) Hole - 18

0 lb
2617 lb
182 lb
0 lb
0 lb

Structure Total: 2799 lb

Structure Notes:

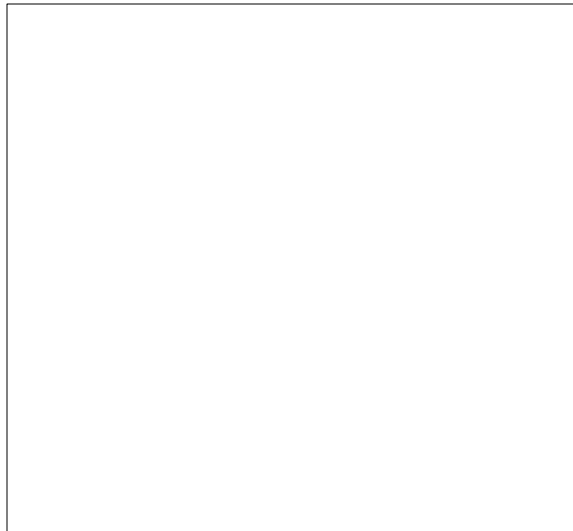
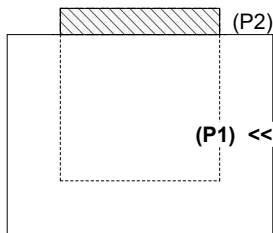
1. PER ASTM C-913 SPECS
2. CONCRETE: 4,000 PSI AT 28 DAYS
3. REINFORCEMENT: #5 BAR @ 12" C.C. E.W. (GRADE 60) - 2" MIN. REBAR CLEARANCE (TYP)
4. NO STORM INVERT
5. NO STEPS
6. HOE 280T FRAME & GRATE SUPPLIED BY ICAST

Rim: 405.14' Rim to Invert: 2.14' Slack: 0.93" Sump: 1.25" Step Position:

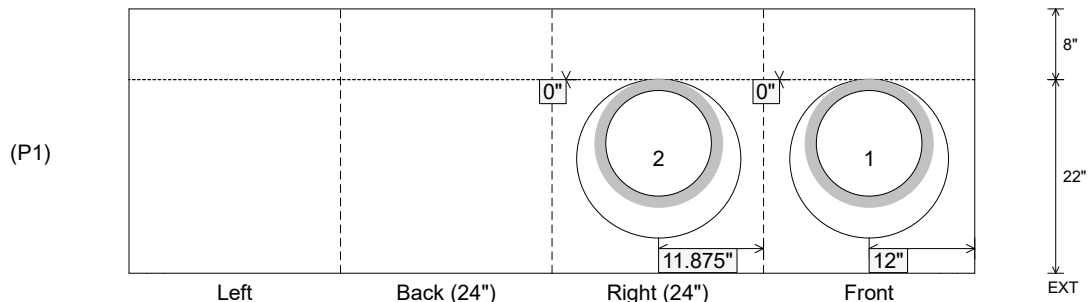
Position	Elev	Angle	Ext. (cw)	Pipe	Pipe OD	Connector	Hole	Horz Size	Up ()	Offset
Invert 1	403'	0°	20"	12" ADS N-12	14.5"	Hole 18	18"	18"	0"	0"
Invert 2	403'	75°	17.75"	12" ADS N-12	14.5"	Hole 18	18"	18.635"	0"	3"
Invert 3										
Invert 4										
Invert 5										
Invert 6										
Invert 7										
Invert 8										

RIGHT-SIDE UP VIEW (int. dimensions)

UPSIDE-DOWN VIEW (int. dimensions)



INSIDE WALL DIMENSIONS



Coating (Int):
Coating (Ext):

Seam Up: Flat
Seam Dn: n/a

Wall Thickness: 8"
Floor Height: 8"

Height (Int): 22"
Height (Ext): 30"

Weight (Net): 2617 lb
Volume (Net): 0.67cu.yd