

Job Name: 24-4053B - East Heights Elementary (Storm)
 Job Location: Henderson, KY 42420
 Contractor: Tim Klenck Demolition LLC

Plant: Beaver Dam, KY
 5/7/2026 7:30:21 AM

Tech: K. Cardwell
 PC: J. Jarvis



Structure ID: R5

P1 BX2424-08BAVF

BOX BASE 8inW, 8inF, Variable Ht F/n

- P2) 24" x 24" - CASTING HEIGHT - 4"
- P1) 24" x 24" - BOX BASE 8inW, 8inF, Variable Ht F/n - 45"
- 1) CASTING - HOE 280T F/G
- 1) 24" x 24" - Conseal CS-102 1.00"
- 2) Hole - 18
- 1) Hole - 12

0 lb
 4470 lb
 182 lb
 0 lb
 0 lb
 0 lb

 0 lb
 Structure Total: 4652 lb

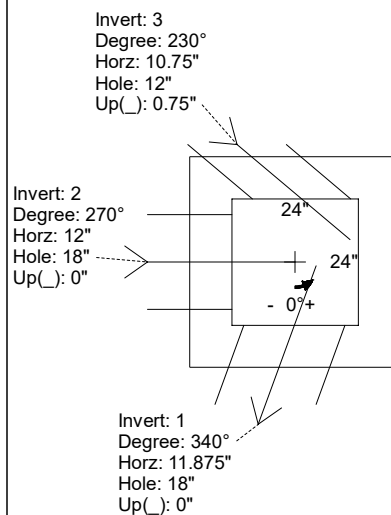
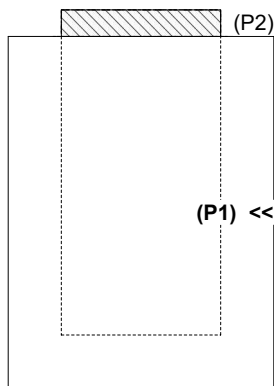
- Structure Notes:
1. PER ASTM C-913 SPECS
 2. CONCRETE: 4,000 PSI AT 28 DAYS
 3. REINFORCEMENT: #5 BAR @ 12" C.C. E.W. (GRADE 60) - 2" MIN. REBAR CLEARANCE (TYP)
 4. NO STORM INVERT
 5. NO STEPS
 6. HOE 280T FRAME & GRATE SUPPLIED BY ICAST

Rim: 406.45' Rim to Invert: 4.05' Slack: 0.85" Sump: 1.25" Step Position:

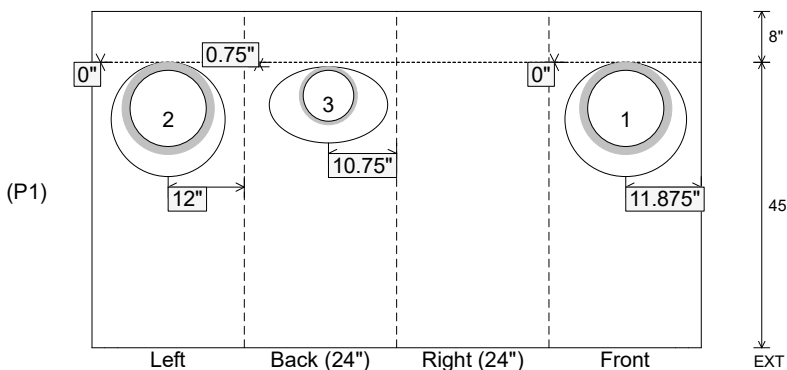
Position	Elev	Angle	Ext. (cw)	Pipe	Pipe OD	Connector	Hole	Horz Size	Up ()	Offset
Invert 1	402.4'	340°	17"	12" ADS N-12	14.5"	Hole 18	18"	19.155"	0"	4"
Invert 2	402.4'	270°	20"	12" ADS N-12	14.5"	Hole 18	18"	18"	0"	0"
Invert 3	402.4'	230°	28.25"	8" ADS N-12	9.1"	Hole 12	12"	18.669"	0.75"	-10"
Invert 4										
Invert 5										
Invert 6										
Invert 7										
Invert 8										

RIGHT-SIDE UP VIEW (int. dimensions)

UPSIDE-DOWN VIEW (int. dimensions)



INSIDE WALL DIMENSIONS



Coating (Int):
 Coating (Ext):

Seam Up: Flat
 Seam Dn: n/a

Wall Thickness: 8"
 Floor Height: 8"

Height (Int): 45"
 Height (Ext): 53"

Weight (Net): 4470 lb
 Volume (Net): 1.14cu.yd