

**Structure ID: MH-A0-2 SS-MH**

**P2 MH048RS24CDARED**

**MH RISER w/ConBlock-CDA Red T/G**

P4) 24" - CASTING HEIGHT - 7" P3) 48" - CON CONE w/24" HOLE, w/ConBlock-CDA Red F/G - 36" P2) 48" - MH RISER w/ConBlock-CDA Red T/G - 24" P1) 48" - MH BASE w/ConBlock-CDA Red T/n - 24" 1) 48" - MH INVERT CHANNEL w/ConBlock-CDA Red - FULL HEIGHT 1) JOINT WRAP - 0.065"x6"x50' CONSEAL CS212 1) JOINT WRAP PRIMER - CONSEAL CS-75 (1 gal.) 1) CASTING - JBS 1150 F/C SANITARY 2) 48" - Conseal CS-102 1.00" (Double) 1) PSX - 12-08 NYLO 7) MH Step ML-10-TDS-NCR - 10"	0 lb 2251 lb 1677 lb 2959 lb 1440 lb 0 lb 0 lb 0 lb 250 lb 0 lb 8 lb 0 lb ----- Structure Total: 8585 lb
---	---

Structure Notes:

1. PER ASTM C478 SPECIFICATIONS.
2. CONCRETE = 4,000 PSI AT 28 DAYS.
3. ADMIXTURE = CONBLOCK CDA RED.
4. CASTING BY ICAST (JBS 1150 F/C "SANITARY").

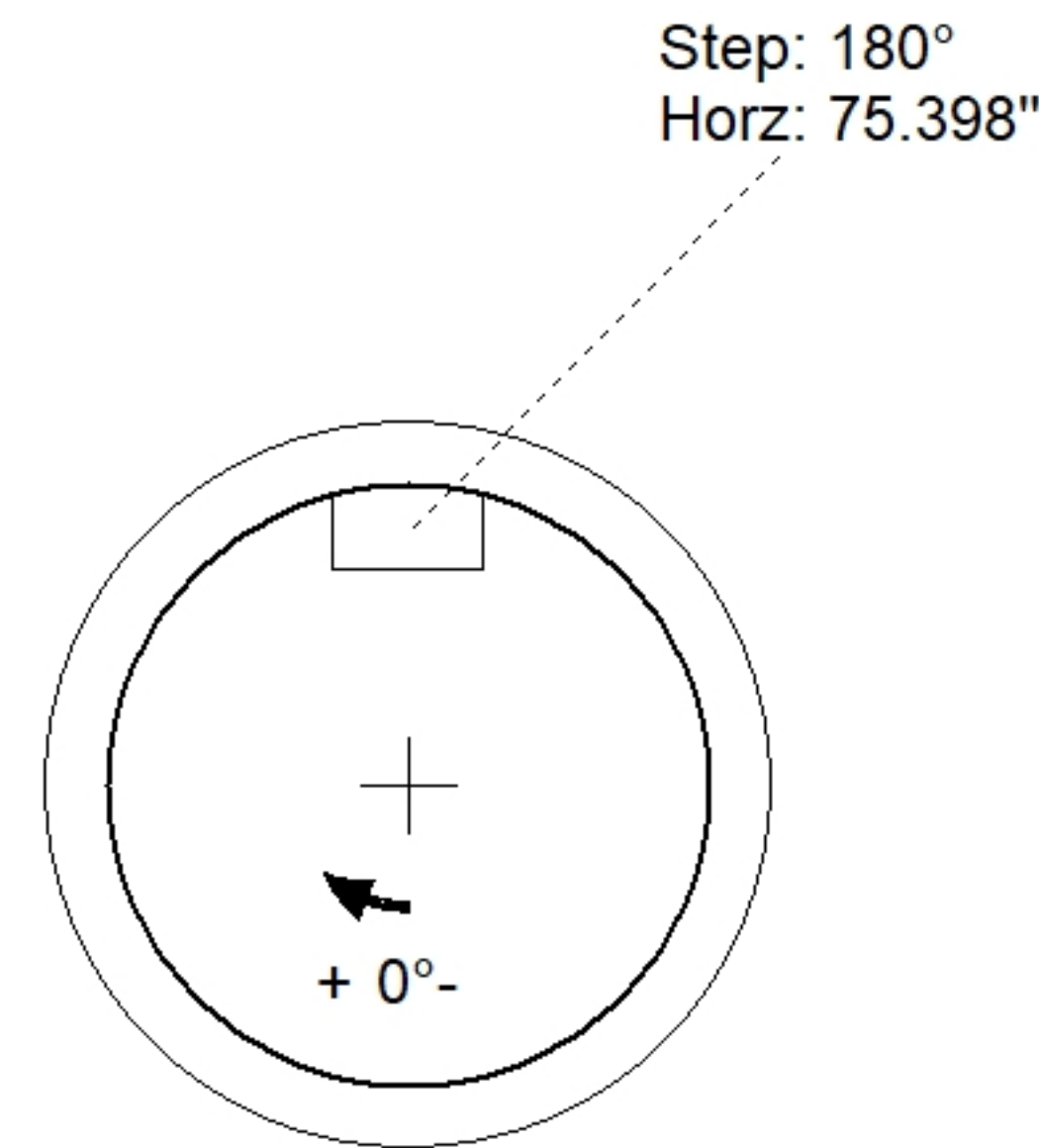
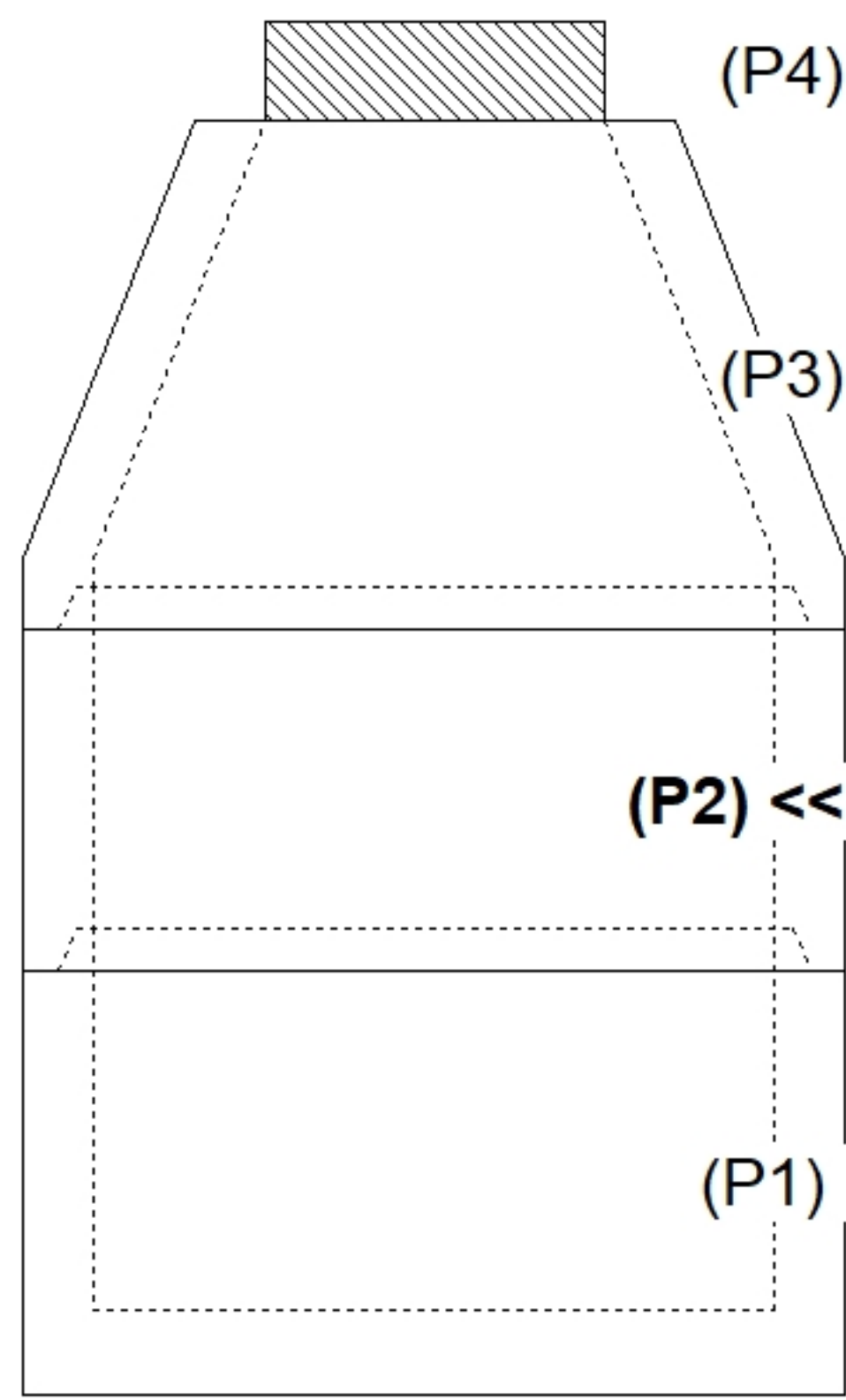
REINFORCING PER ASTM A615 (GRADE 60).

- CONE (As .12)
- RISER/WALLS (As .12)
- FLOOR (As .31) #5 BARS AT 12" C.C.E.W.

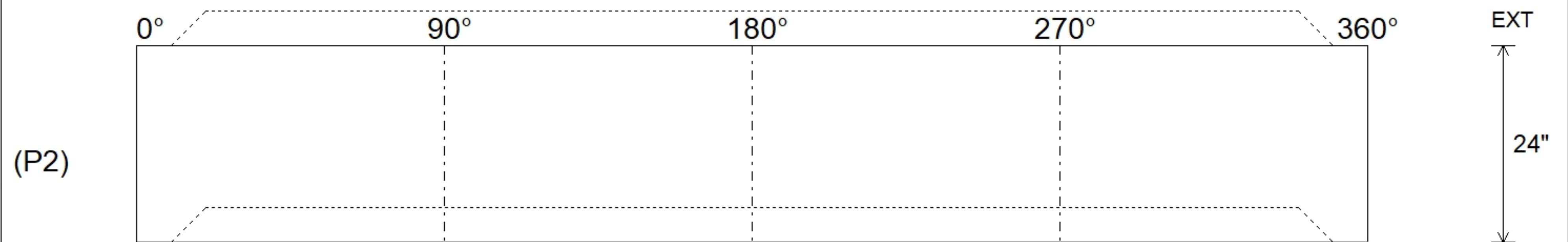
Rim: 422.03'    Rim to Invert: 7.63'    Slack: 2.56"    Sump: 2"    Step Position: 180

Position	Elev	Angle	Ext. (cw)	Pipe	Pipe OD	Connector	Hole	Horz Size	Up ( )	Offset
Invert 1										
Invert 2										
Invert 3										
Invert 4										
Invert 5										
Invert 6										
Invert 7										
Invert 8										

**RIGHT-SIDE UP VIEW (int. dimensions)**



**INSIDE WALL DIMENSIONS**



Coating (Int):	Seam Up: Tongue Seam Dn: Groove	Wall Thickness: 5" Floor Height: 0"	Height (Int): 24" Height (Ext): 24"
Coating (Ext):			Weight (Net): 1677 lb Volume (Net): 0.43cu.yd