

Job Name: 25-2422 - Woodland Springs Section 3 (Sanitary)
 Job Location: Clarksville, TN
 Contractor: Byard Construction, LLC

Plant: 100

5/14/2026 2:16:56 PM

Tech: Jared - A

PC: A. Chambers



Structure ID: A-7

P2 MH048RS60SCDR

MH RISER SPECIAL w/ConBlock-CDA Red T/G

- P4) 24" - CASTING HEIGHT - 6"
- P3) 48" - ECC CONE w/ 24" HOLE, w/ConBlock-CDA Red F/G - 42"
- P2) 48" - MH RISER SPECIAL w/ConBlock-CDA Red T/G - 60"
- P1) 48" - MH BASE w/ConBlock-CDA Red T/n - 36"
- 1) 48" - MH INVERT CHANNEL w/ConBlock-CDA Red - FULL HEIGHT
- 1) JOINT WRAP - 0.065"x6"x50' CONSEAL CS212
- 1) JOINT WRAP PRIMER - CONSEAL CS-75 (1 gal.)
- 1) ADMIXTURE CONBLOCK CDA RED
- 1) CASTING - JBS 1155 F/C SANITARY
- 2) 48" - Conseal CS-102 1.00" (Double)
- 1) 24" - Conseal CS-102 1.00" (Double)
- 2) PSX - 12-08 NYLO
- 1) PSX - 8QRS DD
- 12) MH Step ML-10-TDS-NCR - 10"

0 lb
 3116 lb
 4170 lb
 3749 lb
 1440 lb
 0 lb
 0 lb
 0 lb
 250 lb
 0 lb
 0 lb
 16 lb
 6 lb
 0 lb

Structure Notes:

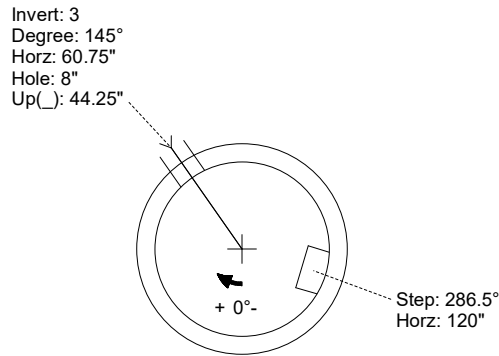
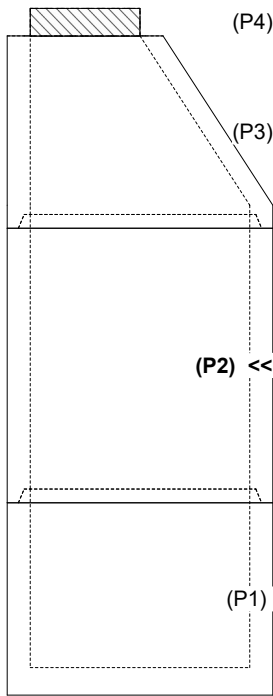
1. PER ASTM C-478 SPECIFICATIONS
2. CONCRETE: 4,000 PSI AT 28 DAYS
3. REINFORCEMENT: PER ASTM A615
4. CONBLOCK CDA RED ADMIXTURE REQUIRED
5. STEPS AT 286.5 DEGREES
6. JBS 1155 FRAME & COVER "SANITARY" SUPPLIED BY ICAST
7. INTERNAL DROP ASSEMBLY AT INVERT 3 BY OTHERS

Structure Total: 12749 lb

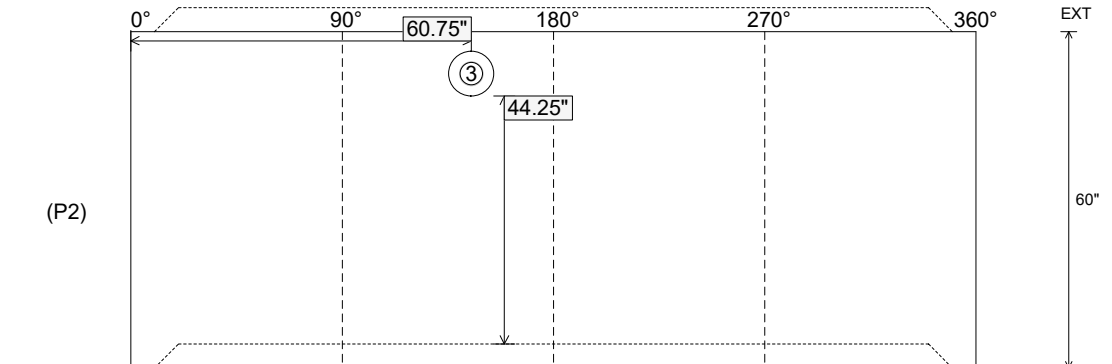
Rim: 438.1' Rim to Invert: 12.04' Slack: 2.48" Sump: 2" Step Position: 286.5°

Position	Elev	Angle	Ext. (cw)	Pipe	Pipe OD	Connector	Hole	Horz Size	Up ()	Offset
Invert 1										
Invert 2										
Invert 3	433.1'	145°	73.375"	4" PVC SDR35	4.25"	PSX 8QRS DD	8"	8.038"	44.25"	0"
Invert 4										
Invert 5										
Invert 6										
Invert 7										
Invert 8										

RIGHT-SIDE UP VIEW (int. dimensions)



INSIDE WALL DIMENSIONS



Coating (Int):
 Coating (Ext):

Seam Up: Tongue
 Seam Dn: Groove

Wall Thickness: 5"
 Floor Height: 0"

Height (Int): 60"
 Height (Ext): 60"

Weight (Net): 4170 lb
 Volume (Net): 1.06cu.yd