

Job Name: 26-2280 - Club One Fitness Sanitary
 Job Location: Owensboro, KY
 Contractor: Winwater Hartford KY Co.

Plant: 100
 5/21/2026 7:14:30 PM

Tech: Jared - F
 PC: A. Chambers



Structure ID: A3 SS-MH

P2 MH048CN24CDARED

ECC CONE w/ 24" HOLE, w/ConBlock-CDA Red F/G

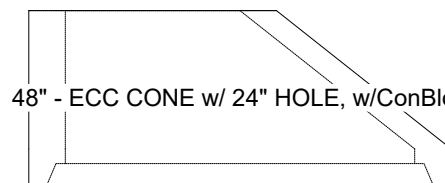
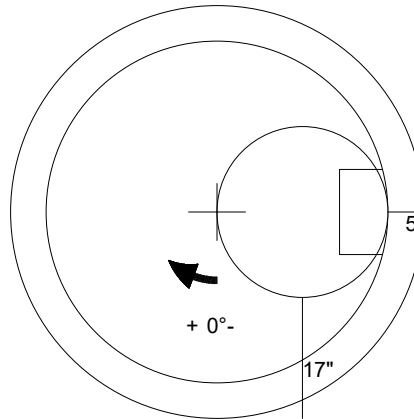
- P3) 24" - CASTING HEIGHT - 7"
- P2) 48" - ECC CONE w/ 24" HOLE, w/ConBlock-CDA Red F/G - 24"
- P1) 48" - MH BASE w/ConBlock-CDA Red T/n - 24"
- 1) JOINT WRAP - 0.065"x6"x50' CONSEAL CS212
- 1) JOINT WRAP PRIMER - CONSEAL CS-75 (1 gal.)
- 1) 48" - MH INVERT CHANNEL w/ConBlock-CDA Red - FULL HEIGHT
- 1) CASTING - HOE MC-315 F/C Sanitary
- 1) 48" - Conseal CS-102 1.00" (Double)
- 1) 24" - Conseal CS-102 1.00" (Double)
- 2) PSX - 12-08 NYLO
- 4) MH Step ML-10-TDS-NCR - 10"

0 lb
 1738 lb
 2911 lb
 0 lb
 0 lb
 1440 lb
 258 lb
 0 lb
 0 lb
 16 lb
 0 lb

 6363 lb

Structure Total:

Structure Notes:
 1. PER ASTM C478 SPECIFICATIONS.
 2. CONCRETE = 4,000 PSI AT 28 DAYS.
 3. ADMIXTURE = CONBLOCK CDA RED.
 4. CASTING SUPPLIED BY ICAST (HOE MC-315 F/C SANITARY).
 .
 REINFORCING PER ASTM A615 (GRADE 60).
 - CONE (As .12)
 - RISER/WALLS (As .12)
 - FLOOR (As .31) #5 BARS AT 12" C.C.E.W.



48" - ECC CONE w/ 24" HOLE, w/ConBlock-CDA Red F/G - 24" - (P2)

Coating (Int):
 Coating (Ext):

Seam Up: Flat
 Seam Dn: Groove

Wall Thickness: 5"

Height (Ext): 24"

Weight (Net): 1738 lb
 Volume (Net): 0.44cu.yd