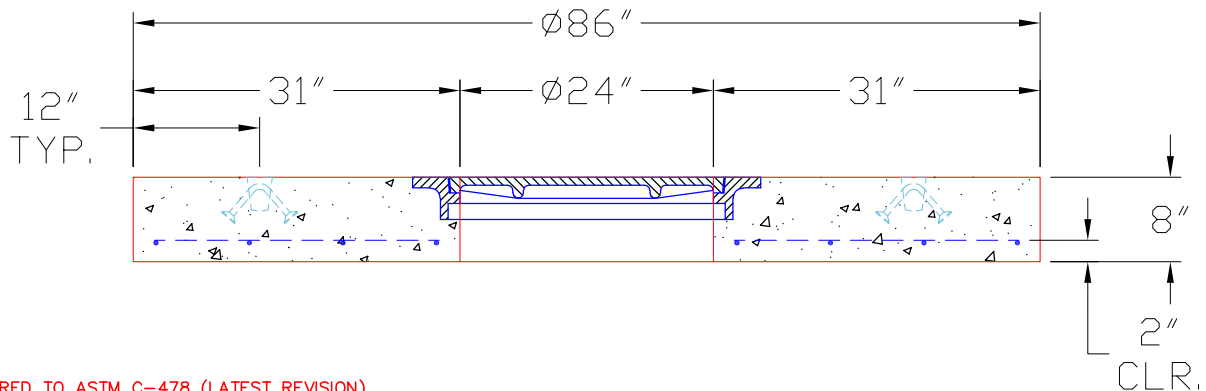
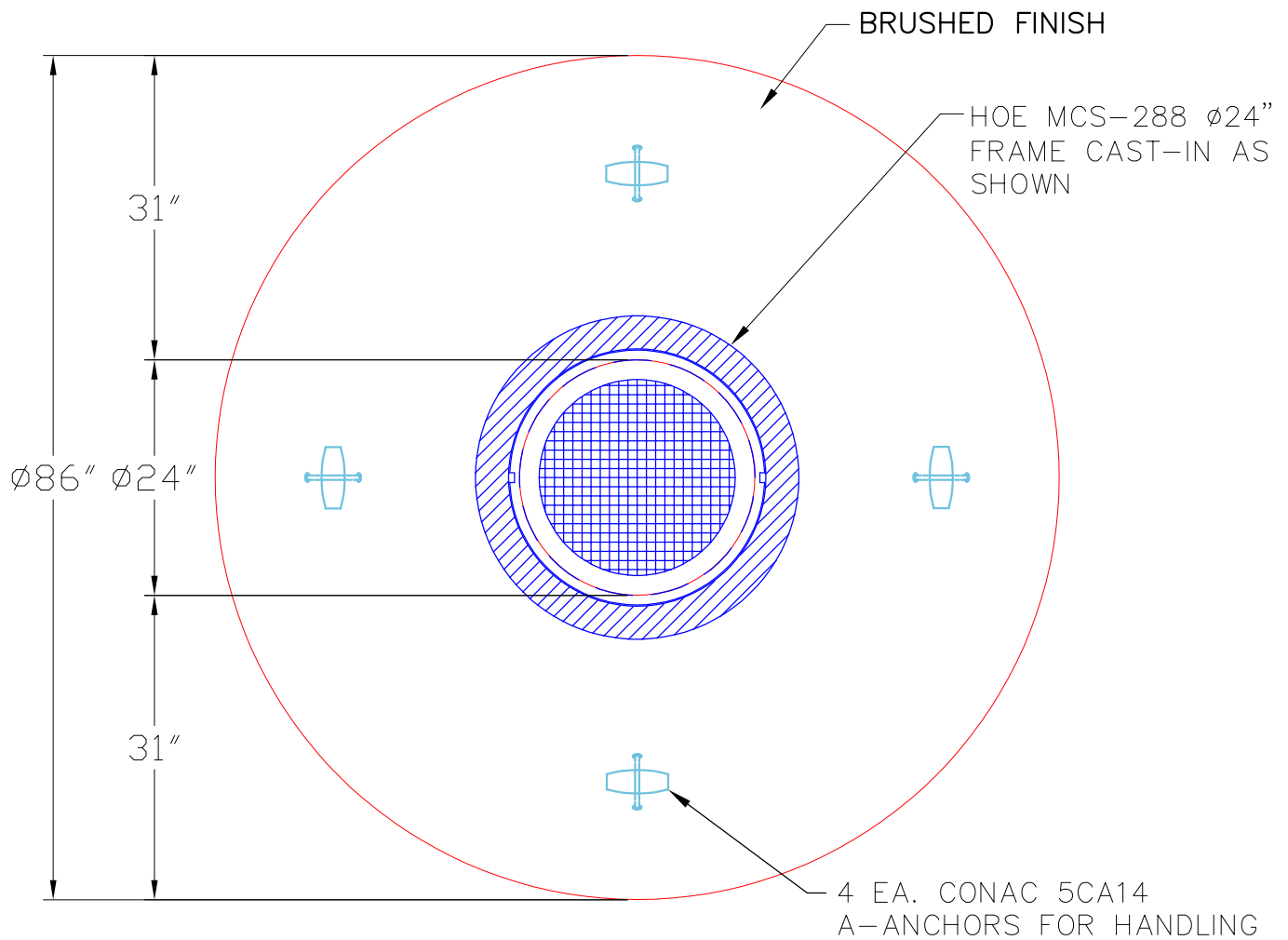



THIS DRAWING IS INTENDED TO BE PRINTED IN COLOR.



**NOTES:**

1. MANUFACTURED TO ASTM C-478 (LATEST REVISION).
2. CONCRETE: 5,000 PSI AT 28 DAYS.
3. REINFORCING: #5 BAR @ 6" O.C. E.W. (GRADE 60).

<p>PRODUCTION WORK ORDER</p>		<p>PRODUCT I.D.: MH072LD08S</p>	<p>DESCRIPTION: 86"Ø X 8" MH TOP SLAB W/ Ø24" CAST-IN CENTERED</p>	
	<p>QUALITY CONTROL CHECKLIST</p>	<p>PRODUCT VIEW: RIGHT SIDE UP</p>	<p>CUSTOMER: ADS ADVANCED DRAINAGE SYSTEMS, INC.</p>	
	<p><input type="checkbox"/> ALL DIMENSIONS CORRECT.</p>	<p>PLANT: BEAVER DAM, KY.</p>	<p>PROJECT: ADS SELCAT TRAINING</p>	
	<p><input type="checkbox"/> LIFTERS INSTALLED.</p>	<p>WEIGHT: 3,844 LBS.</p>	<p>STRUCTURE: QL1 TOP SLAB</p>	
	<p><input type="checkbox"/> HOLE LOCATION CORRECT.</p>	<p>TOP SECTION JOINT: N/A</p>	<p>QUOTE/SALES ORDER NO: 26-2132</p>	
	<p><input type="checkbox"/> REINFORCING CORRECT.</p>	<p>BASE SECTION JOINT: N/A</p>	<p>PC: T. RYAN</p>	<p>DRAWING: S. FELLETTA</p>
<p><input type="checkbox"/> FINISH ON SLAB SURFACE UNIFORM.</p>	<p>QC CHECK INITIALS:</p>	<p>DATE: 05/13/26</p>	<p>SCALE: NTS</p>	<p>PG. 1 of 1</p>
<p><input type="checkbox"/> OUTSIDE TOP EDGE TROWELLED.</p>				
<p><input type="checkbox"/> FLAT BOTTOM.</p>				