

Job Name: 24-1164 Paddy's Run Flood PS
 Job Location: Louisville, Ky.
 Contractor: Core & Main LP (Lou)

Plant: Beaver Dam, Ky.
 5/18/2026 8:15:29 AM

Tech: S. Felletter
 PC:



Structure ID: MH 6 (0+31)

P1 MH060BA36

MH BASE T/n

P5) 24" - CASTING HEIGHT - 7"	0 lb
P4) 24" - GRADE RING F/F - 6"	405 lb
P3) 60" - MH FLAT TOP w/ 24" ECC Hole F/G - 13"	2869 lb
P2) 60" - MH RISER T/G - 48"	4909 lb
P1) 60" - MH BASE T/n - 36"	6217 lb
1) JOINT WRAP - 0.065"x6"x50' CONSEAL CS212	0 lb
1) JOINT WRAP PRIMER - CONSEAL CS-75 (1 gal.)	0 lb
1) 60" - STORM INVERT CHANNEL - 1/4 HEIGHT	1700 lb
1) Chimney Seal - Trelleborg FlexRib Chimney Seal	10 lb
1) CASTING - HOE WT-420-MSD F/C Storm	340 lb
2) 60" - Conseal CS-102 1.00" (Double)	0 lb
2) PSX - 16L NYLO	16 lb
3) PSX - 12-06 NYLO	24 lb
Structure Total:	16490 lb

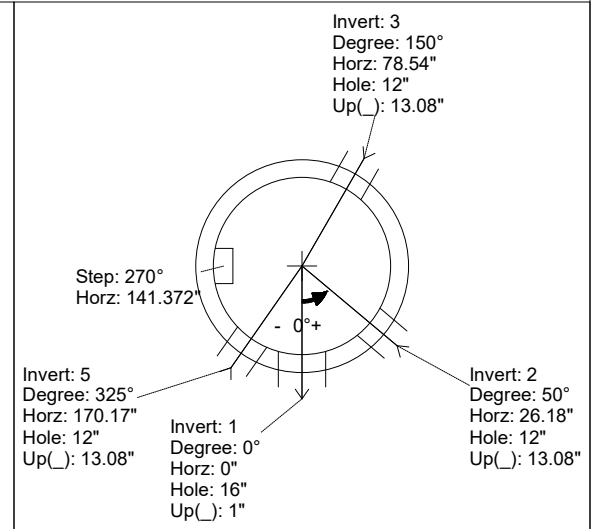
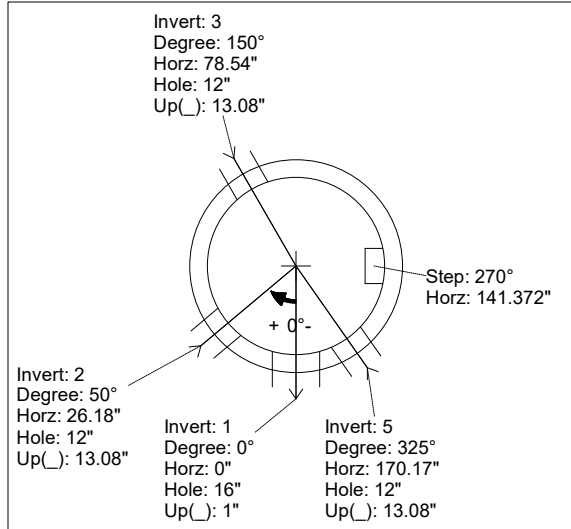
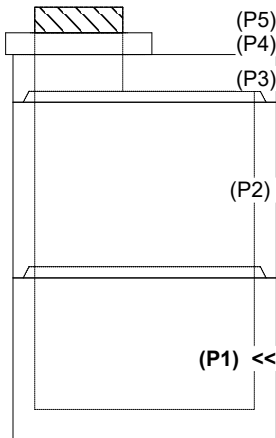
Structure Notes: 1. PER ASTM C478 & MSD SPECIFICATIONS.
 2. CONCRETE = 5,000 PSI AT 28 DAYS.
 3. CASTING BY ICST (HOE MC-420).
 REINFORCING PER ASTM A615 (GRADE 60).
 - TOP SLAB (As .62) #5 BAR AT 6" C.C.E.W.
 - RISER/WALLS (As .12).
 - FLOOR (As .31) #5 BARS AT 12" C.C.E.W.

Rim: 414.13' Rim to Invert: 8.92' Slack: 0.04" Sump: 3" Step Position: 270

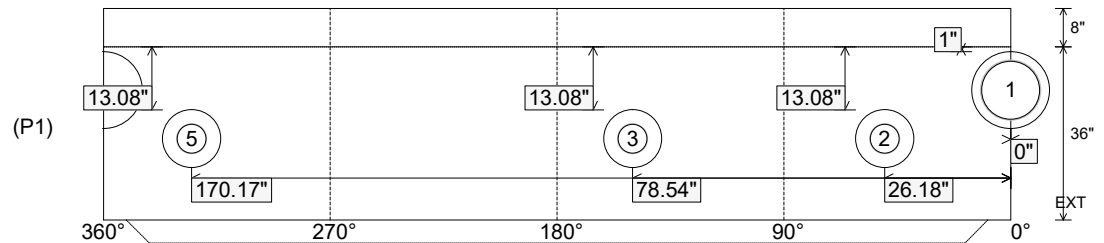
Position	Elev	Angle	Ext. (cw)	Pipe	Pipe OD	Connector	Hole	Horz Size	Up ()	Offset
Invert 1	405.21'	0°	0"	12" PVC SDR35	12.5"	PSX 16L NYLO	16"	16.196"	1"	0"
Invert 2	406.3'	50°	31.416"	6" PVC SDR35	6.25"	PSX 12-06 NYLO	12"	12.081"	13.08"	0"
Invert 3	406.3'	150°	94.248"	6" PVC SDR35	6.25"	PSX 12-06 NYLO	12"	12.081"	13.08"	0"
Invert 4										
Invert 5	406.3'	325°	204.204"	6" PVC SDR35	6.25"	PSX 12-06 NYLO	12"	12.081"	13.08"	0"
Invert 6										
Invert 7										
Invert 8										

RIGHT-SIDE UP VIEW (int. dimensions)

UPSIDE-DOWN VIEW (int. dimensions)



INSIDE WALL DIMENSIONS



Coating (Int):
 Coating (Ext):

Seam Up: Tongue
 Seam Dn: n/a

Wall Thickness: 6"
 Floor Height: 8"

Height (Int): 36"
 Height (Ext): 44"

Weight (Net): 6217 lb
 Volume (Net): 1.59cu.yd

Job Name: 24-1164 Paddy's Run Flood PS
 Job Location: Louisville, Ky.
 Contractor: Core & Main LP (Lou)

Plant: Beaver Dam, Ky.
 5/18/2026 8:15:29 AM

Tech: S. Felletter
 PC:



Structure ID: MH 6 (0+31)

P1 MH060BA36

MH BASE T/n

- P5) 24" - CASTING HEIGHT - 7"
- P4) 24" - GRADE RING F/F - 6"
- P3) 60" - MH FLAT TOP w/ 24" ECC Hole F/G - 13"
- P2) 60" - MH RISER T/G - 48"
- P1) 60" - MH BASE T/n - 36"
- 1) JOINT WRAP - 0.065"x6"x50' CONSEAL CS212
- 1) JOINT WRAP PRIMER - CONSEAL CS-75 (1 gal.)
- 1) **60" - STORM INVERT CHANNEL - 1/4 HEIGHT**
- 1) Chimney Seal - Trelleborg FlexRib Chimney Seal
- 1) CASTING - HOE WT-420-MSD F/C Storm
- 2) 60" - Conseal CS-102 1.00" (Double)
- 2) PSX - 16L NYLO
- 3) PSX - 12-06 NYLO

0 lb
 405 lb
 2869 lb
 4909 lb
 6217 lb
 0 lb
 0 lb
 1700 lb
 10 lb
 340 lb
 0 lb
 16 lb
 24 lb

 Structure Total: 16490 lb

Structure Notes: 1. PER ASTM C478 & MSD SPECIFICATIONS.
 2. CONCRETE = 5,000 PSI AT 28 DAYS.
 3. CASTING BY ICST (HOE MC-420).
 REINFORCING PER ASTM A615 (GRADE 60).
 - TOP SLAB (As .62) #5 BAR AT 6" C.C.E.W.
 - RISER/WALLS (As .12).
 - FLOOR (As .31) #5 BARS AT 12" C.C.E.W.

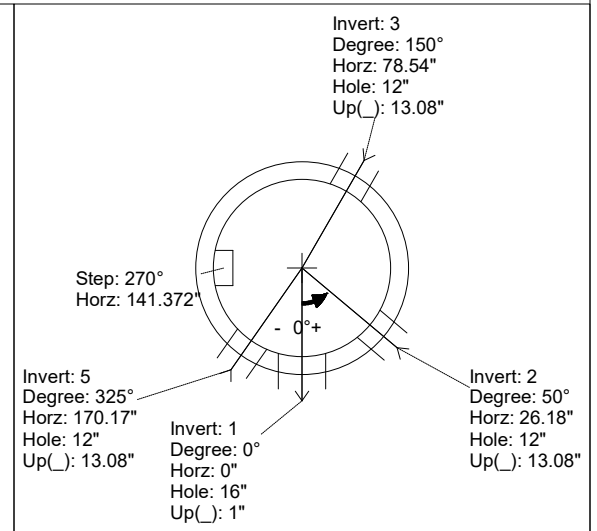
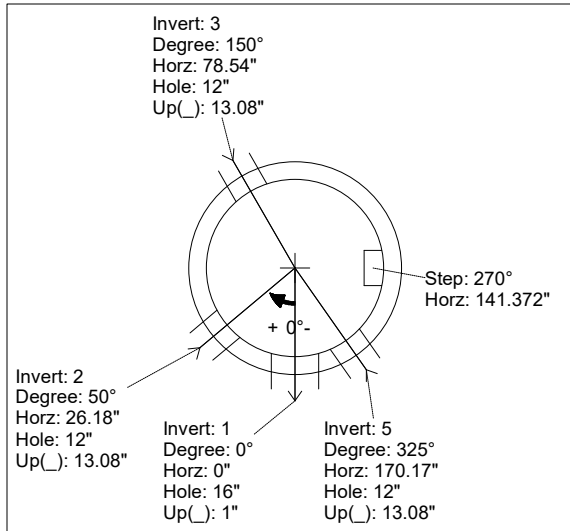
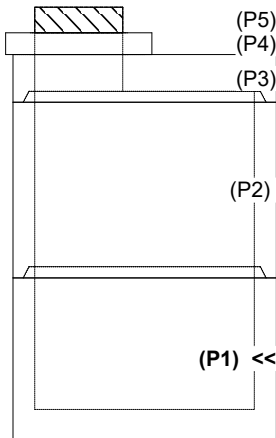
Invert channel drawing
 1/4 Height invert

Rim: 414.13' Rim to Invert: 8.92' Slack: 0.04" Sump: 3" Step Position: 270

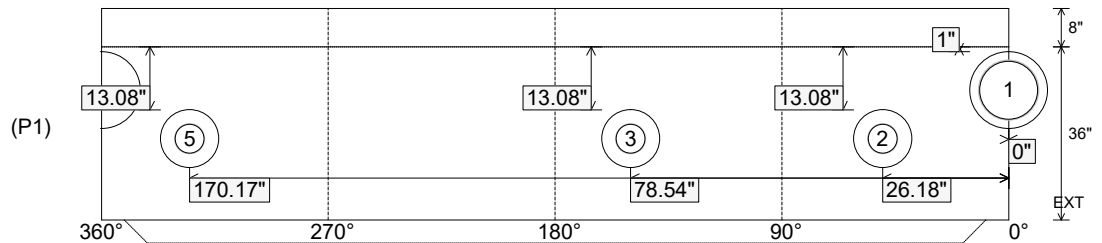
Position	Elev	Angle	Ext. (cw)	Pipe	Pipe OD	Connector	Hole	Horz Size	Up ()	Offset
Invert 1	405.21'	0°	0"	12" PVC SDR35	12.5"	PSX 16L NYLO	16"	16.196"	1"	0"
Invert 2	406.3'	50°	31.416"	6" PVC SDR35	6.25"	PSX 12-06 NYLO	12"	12.081"	13.08"	0"
Invert 3	406.3'	150°	94.248"	6" PVC SDR35	6.25"	PSX 12-06 NYLO	12"	12.081"	13.08"	0"
Invert 4										
Invert 5	406.3'	325°	204.204"	6" PVC SDR35	6.25"	PSX 12-06 NYLO	12"	12.081"	13.08"	0"
Invert 6										
Invert 7										
Invert 8										

RIGHT-SIDE UP VIEW (int. dimensions)

UPSIDE-DOWN VIEW (int. dimensions)



INSIDE WALL DIMENSIONS



Coating (Int):
 Coating (Ext):

Seam Up: Tongue
 Seam Dn: n/a

Wall Thickness: 6"
 Floor Height: 8"

Height (Int): 36"
 Height (Ext): 44"

Weight (Net): 6217 lb
 Volume (Net): 1.59cu.yd