

Job Name: 24-1164 Paddy's Run Flood PS
 Job Location: Louisville, Ky.
 Contractor: Core & Main LP (Lou)

Plant: Beaver Dam, Ky.
 5/18/2026 8:15:29 AM

Tech: S. Felletter
 PC:



Structure ID: MH 5 (1+32)

P1 MH048BA30

MH BASE T/n

- P3) 24" - CASTING HEIGHT - 7" 0 lb
 - P2) 48" - MH FLAT TOP w/ 24" ECC Hole F/G - 12" 1561 lb
 - P1) 48" - MH BASE T/n - 30" 3292 lb
 - 1) 48" - STORM INVERT CHANNEL - 1/4 HEIGHT 1075 lb
 - 1) JOINT WRAP - 0.065"x6"x50' CONSEAL CS212 0 lb
 - 1) JOINT WRAP PRIMER - CONSEAL CS-75 (1 gal.) 0 lb
 - 1) Chimney Seal - Trelleborg FlexRib Chimney Seal 10 lb
 - 1) CASTING - HOE WT-420-MSD F/C Storm 340 lb
 - 1) 48" - Conseal CS-102 1.00" (Double) 0 lb
 - 1) PSX - 16M NYLO 8 lb
 - 1) PSX - 12-06 NYLO 8 lb
 - 2) MH Step ML-10-TDS-NCR - 10" 0 lb
- Structure Total: 6294 lb

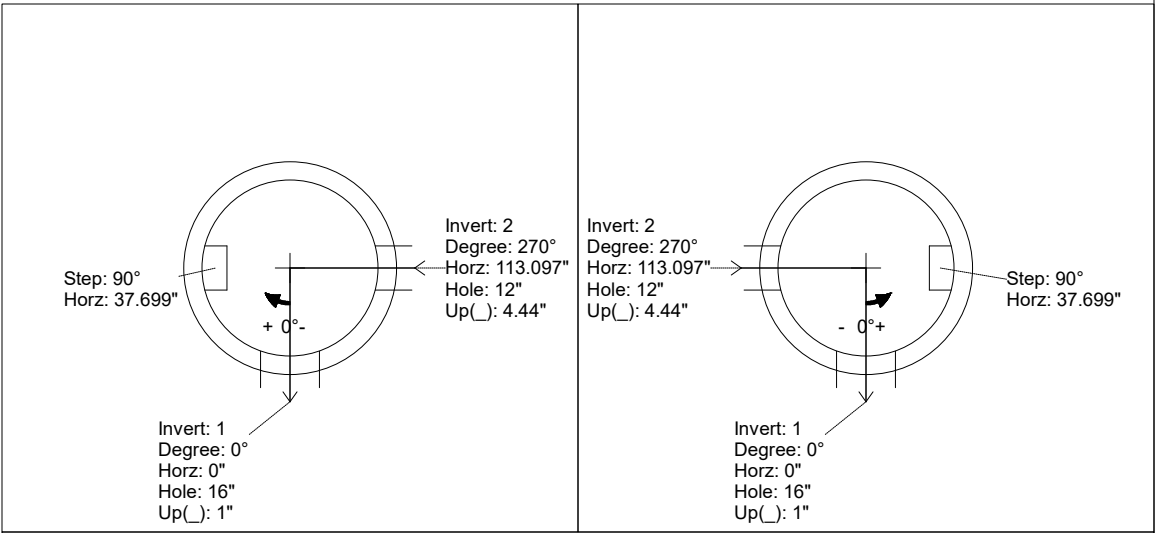
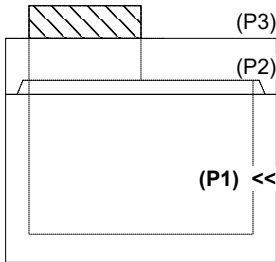
Structure Notes: 1. PER ASTM C478 & MSD SPECIFICATIONS.
 2. CONCRETE = 5,000 PSI AT 28 DAYS.
 3. CASTING BY ICST (HOE MC-420).
 REINFORCING PER ASTM A615 (GRADE 60).
 - TOP SLAB (As .62) #5 BAR AT 6" C.C.E.W.
 - RISER/WALLS (As .12).
 - FLOOR (As .31) #5 BARS AT 12" C.C.E.W.

Rim: 416.01' Rim to Invert: 4.08' Slack: 2.96" Sump: 3" Step Position: 90°

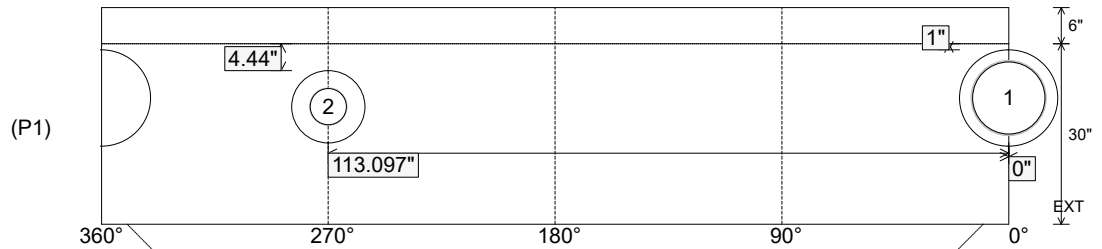
Position	Elev	Angle	Ext. (cw)	Pipe	Pipe OD	Connector	Hole	Horz Size	Up ()	Offset
Invert 1	411.93'	0°	0"	12" PVC SDR35	12.5"	PSX 16M NYLO	16"	16.312"	1"	0"
Invert 2	412.3'	270°	136.659"	6" PVC SDR35	6.25"	PSX 12-06 NYLO	12"	12.129"	4.44"	0"
Invert 3										
Invert 4										
Invert 5										
Invert 6										
Invert 7										
Invert 8										

RIGHT-SIDE UP VIEW (int. dimensions)

UPSIDE-DOWN VIEW (int. dimenions)



INSIDE WALL DIMENSIONS



Coating (Int): Coating (Ext):	Seam Up: Tongue Seam Dn: n/a	Wall Thickness: 5" Floor Height: 6"	Height (Int): 30" Height (Ext): 36"	Weight (Net): 3292 lb Volume (Net): 0.84cu.yd
----------------------------------	---------------------------------	--	--	--

Job Name: 24-1164 Paddy's Run Flood PS
 Job Location: Louisville, Ky.
 Contractor: Core & Main LP (Lou)

Plant: Beaver Dam, Ky.
 5/18/2026 8:15:29 AM

Tech: S. Felletter
 PC:



Structure ID: MH 5 (1+32)

P1 MH048BA30

MH BASE T/n

- P3) 24" - CASTING HEIGHT - 7"
- P2) 48" - MH FLAT TOP w/ 24" ECC Hole F/G - 12"
- P1) 48" - MH BASE T/n - 30"
- 1) 48" - STORM INVERT CHANNEL - 1/4 HEIGHT
- 1) JOINT WRAP - 0.065"x6"x50' CONSEAL CS212
- 1) JOINT WRAP PRIMER - CONSEAL CS-75 (1 gal.)
- 1) Chimney Seal - Trelleborg FlexRib Chimney Seal
- 1) CASTING - HOE WT-420-MSD F/C Storm
- 1) 48" - Conseal CS-102 1.00" (Double)
- 1) PSX - 16M NYLO
- 1) PSX - 12-06 NYLO
- 2) MH Step ML-10-TDS-NCR - 10"

0 lb
 1561 lb
 3292 lb
 1075 lb
 0 lb
 0 lb
 10 lb
 340 lb
 0 lb
 8 lb
 8 lb
 0 lb

 Structure Total: 6294 lb

Structure Notes: 1. PER ASTM C478 & MSD SPECIFICATIONS.
 2. CONCRETE = 5,000 PSI AT 28 DAYS.
 3. CASTING BY ICST (HOE MC-420).
 REINFORCING PER ASTM A615 (GRADE 60).
 - TOP SLAB (As .62) #5 BAR AT 6" C.C.E.W.
 - RISER/WALLS (As .12).
 - FLOOR (As .31) #5 BARS AT 12" C.C.E.W.

Invert channel drawing
 1/4 Height invert

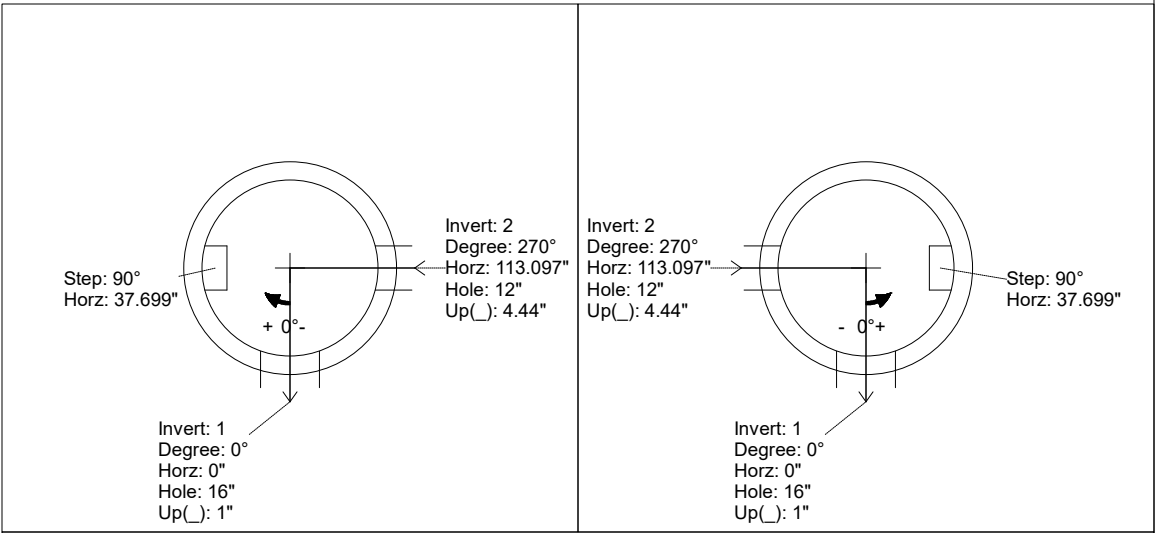
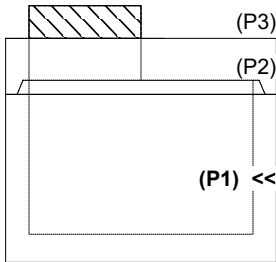
Structure Total: 6294 lb

Rim: 416.01' Rim to Invert: 4.08' Slack: 2.96" Sump: 3" Step Position: 90°

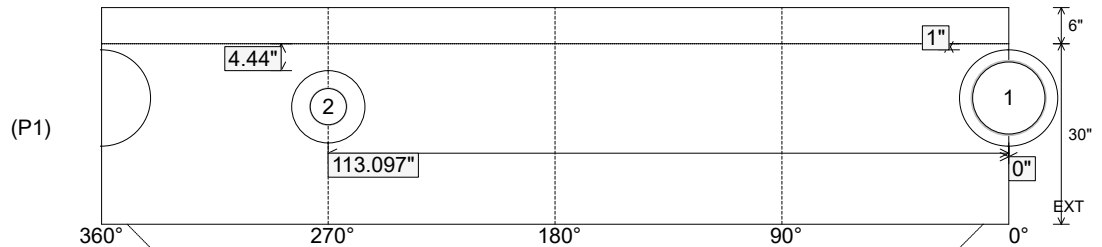
Position	Elev	Angle	Ext. (cw)	Pipe	Pipe OD	Connector	Hole	Horz Size	Up ()	Offset
Invert 1	411.93'	0°	0"	12" PVC SDR35	12.5"	PSX 16M NYLO	16"	16.312"	1"	0"
Invert 2	412.3'	270°	136.659"	6" PVC SDR35	6.25"	PSX 12-06 NYLO	12"	12.129"	4.44"	0"
Invert 3										
Invert 4										
Invert 5										
Invert 6										
Invert 7										
Invert 8										

RIGHT-SIDE UP VIEW (int. dimensions)

UPSIDE-DOWN VIEW (int. dimensions)



INSIDE WALL DIMENSIONS



Coating (Int):
 Coating (Ext):

Seam Up: Tongue
 Seam Dn: n/a

Wall Thickness: 5"
 Floor Height: 6"

Height (Int): 30"
 Height (Ext): 36"

Weight (Net): 3292 lb
 Volume (Net): 0.84cu.yd