

Job Name: 24-1164 Paddy's Run Flood PS  
 Job Location: Louisville, Ky.  
 Contractor: Core & Main LP (Lou)

Plant: Beaver Dam, Ky.  
 5/18/2026 8:15:28 AM

Tech: S. Felletter  
 PC:



**Structure ID: MH 4 (0+30)**

**P1 MH048BA24**

**MH BASE T/n**

P4) 24" - CASTING HEIGHT - 7"	0 lb
P3) 24" - GRADE RING F/F - 4"	270 lb
P2) 48" - ECC CONE w/ 24" HOLE F/G - 24"	1550 lb
P1) 48" - MH BASE T/n - 24"	2741 lb
1) 48" - STORM INVERT CHANNEL - 1/4 HEIGHT	1075 lb
1) JOINT WRAP - 0.065"x6"x50' CONSEAL CS212	0 lb
1) JOINT WRAP PRIMER - CONSEAL CS-75 (1 gal.)	0 lb
1) Chimney Seal - Trelleborg FlexRib Chimney Seal	10 lb
1) CASTING - HOE WT-420-MSD F/C Storm	340 lb
1) 48" - Conseal CS-102 1.00" (Double)	0 lb
2) PSX - 18M DD	16 lb
1) PSX - 12-06 NYLO	8 lb
4) MH Step ML-10-TDS-NCR - 10"	0 lb
<b>Structure Total:</b>	<b>6010 lb</b>

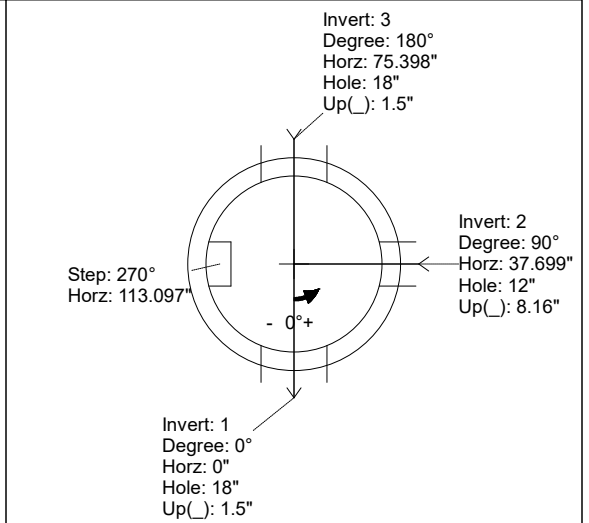
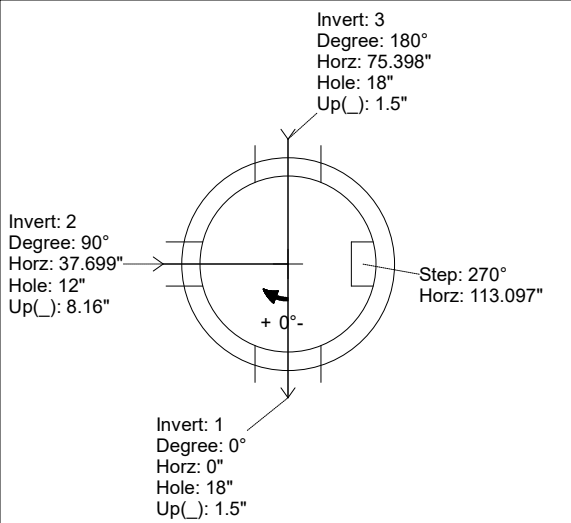
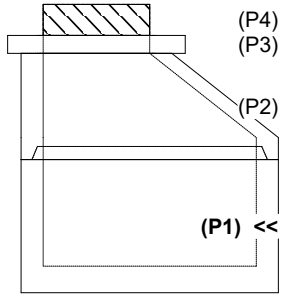
**Structure Notes:** 1. PER ASTM C478 & MSD SPECIFICATIONS.  
 2. CONCRETE = 5,000 PSI AT 28 DAYS.  
 3. CASTING BY ICST (HOE MC-420).  
 REINFORCING PER ASTM A615 (GRADE 60).  
 - CONE (As .12).  
 - RISER/WALLS (As .12).  
 - FLOOR (As .31) #5 BARS AT 12" C.C.E.W.

Rim: 410.86' Rim to Invert: 4.74' Slack: 0.88" Sump: 3" Step Position: 270°

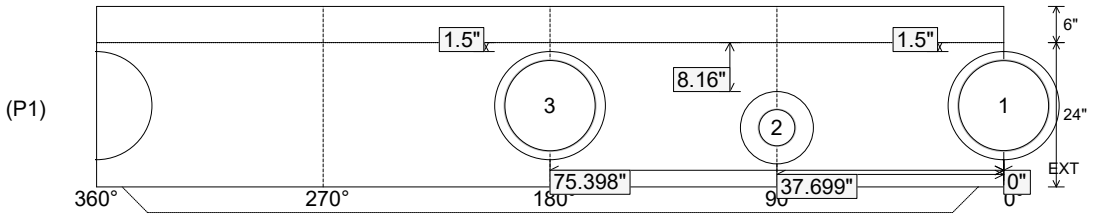
Position	Elev	Angle	Ext. (cw)	Pipe	Pipe OD	Connector	Hole	Horz Size	Up ( )	Offset
Invert 1	406.12'	0°	0"	15" PVC SDR35	15.3"	PSX 18M DD	18"	18.451"	1.5"	0"
Invert 2	406.8'	90°	45.553"	6" PVC SDR35	6.25"	PSX 12-06 NYLO	12"	12.129"	8.16"	0"
Invert 3	406.12'	180°	91.106"	15" PVC SDR35	15.3"	PSX 18M DD	18"	18.451"	1.5"	0"
Invert 4										
Invert 5										
Invert 6										
Invert 7										
Invert 8										

RIGHT-SIDE UP VIEW (int. dimensions)

UPSIDE-DOWN VIEW (int. dimensions)



INSIDE WALL DIMENSIONS



Coating (Int): Coating (Ext):	Seam Up: Tongue Seam Dn: n/a	Wall Thickness: 5" Floor Height: 6"	Height (Int): 24" Height (Ext): 30"	Weight (Net): 2741 lb Volume (Net): 0.7cu.yd
----------------------------------	---------------------------------	--	--	---

Job Name: 24-1164 Paddy's Run Flood PS  
 Job Location: Louisville, Ky.  
 Contractor: Core & Main LP (Lou)

Plant: Beaver Dam, Ky.  
 5/18/2026 8:15:28 AM

Tech: S. Felletter  
 PC:



**Structure ID: MH 4 (0+30)**

**P1 MH048BA24**

**MH BASE T/n**

- P4) 24" - CASTING HEIGHT - 7"
- P3) 24" - GRADE RING F/F - 4"
- P2) 48" - ECC CONE w/ 24" HOLE F/G - 24"
- P1) 48" - MH BASE T/n - 24"
- 1) **48" - STORM INVERT CHANNEL - 1/4 HEIGHT**
- 1) JOINT WRAP - 0.065"x6"x50' CONSEAL CS212
- 1) JOINT WRAP PRIMER - CONSEAL CS-75 (1 gal.)
- 1) Chimney Seal - Trelleborg FlexRib Chimney Seal
- 1) CASTING - HOE WT-420-MSD F/C Storm
- 1) 48" - Conseal CS-102 1.00" (Double)
- 2) PSX - 18M DD
- 1) PSX - 12-06 NYLO
- 4) MH Step ML-10-TDS-NCR - 10"

0 lb  
 270 lb  
 1550 lb  
 2741 lb  
 1075 lb  
 0 lb  
 0 lb  
 10 lb  
 340 lb  
 0 lb  
 16 lb  
 8 lb  
 0 lb  
 -----  
 Structure Total: 6010 lb

**Structure Notes:** 1. PER ASTM C478 & MSD SPECIFICATIONS.  
 2. CONCRETE = 5,000 PSI AT 28 DAYS.  
 3. CASTING BY ICST (HOE MC-420).  
 REINFORCING PER ASTM A615 (GRADE 60).  
 - CONE (As .12).  
 - RISER/WALLS (As .12).  
 - FLOOR (As .31) #5 BARS AT 12" C.C.E.W.

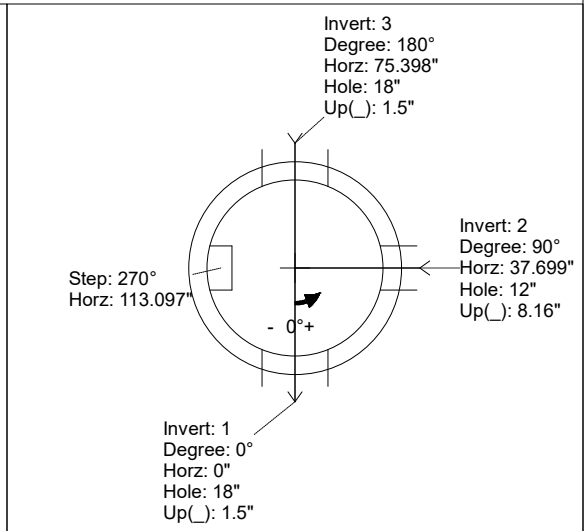
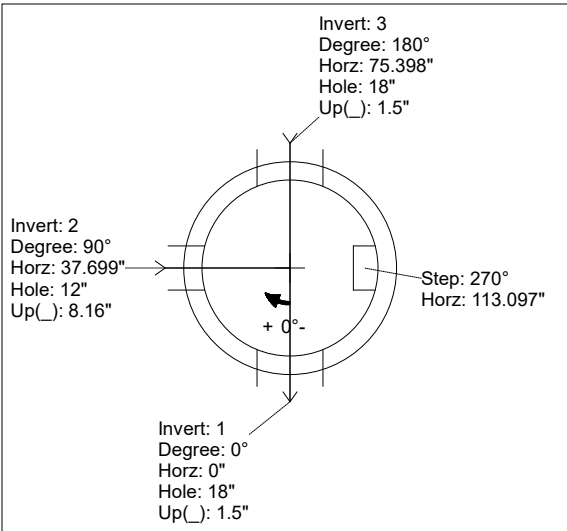
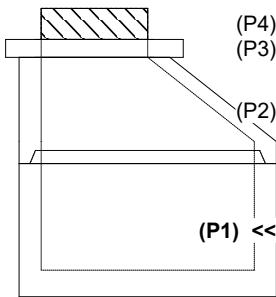
Invert channel drawing  
 1/4 Height invert

Rim: 410.86' Rim to Invert: 4.74' Slack: 0.88" Sump: 3" Step Position: 270°

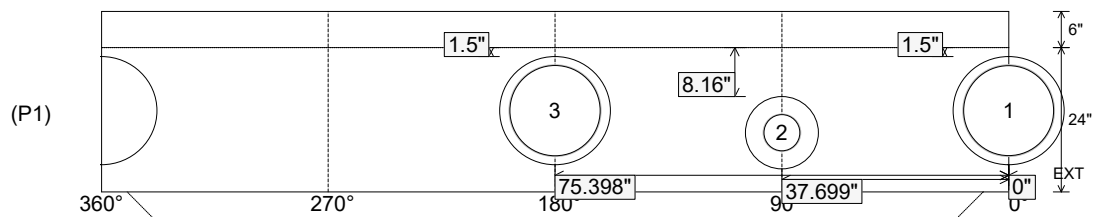
Position	Elev	Angle	Ext. (cw)	Pipe	Pipe OD	Connector	Hole	Horz Size	Up ( )	Offset
Invert 1	406.12'	0°	0"	15" PVC SDR35	15.3"	PSX 18M DD	18"	18.451"	1.5"	0"
Invert 2	406.8'	90°	45.553"	6" PVC SDR35	6.25"	PSX 12-06 NYLO	12"	12.129"	8.16"	0"
Invert 3	406.12'	180°	91.106"	15" PVC SDR35	15.3"	PSX 18M DD	18"	18.451"	1.5"	0"
Invert 4										
Invert 5										
Invert 6										
Invert 7										
Invert 8										

RIGHT-SIDE UP VIEW (int. dimensions)

UPSIDE-DOWN VIEW (int. dimensions)



INSIDE WALL DIMENSIONS



Coating (Int):  
 Coating (Ext):

Seam Up: Tongue  
 Seam Dn: n/a

Wall Thickness: 5"  
 Floor Height: 6"

Height (Int): 24"  
 Height (Ext): 30"

Weight (Net): 2741 lb  
 Volume (Net): 0.7cu.yd