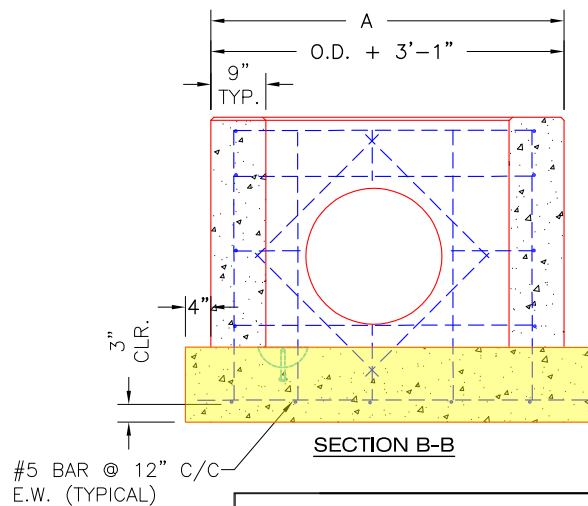
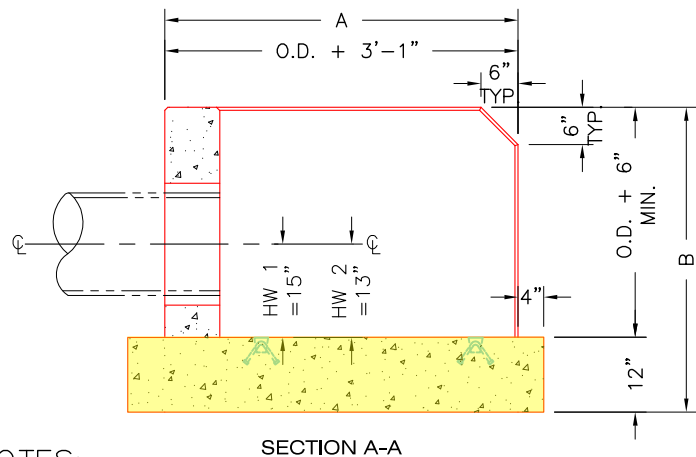
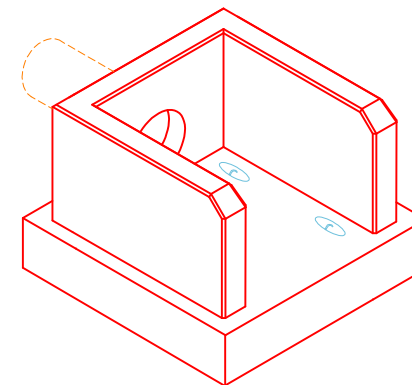
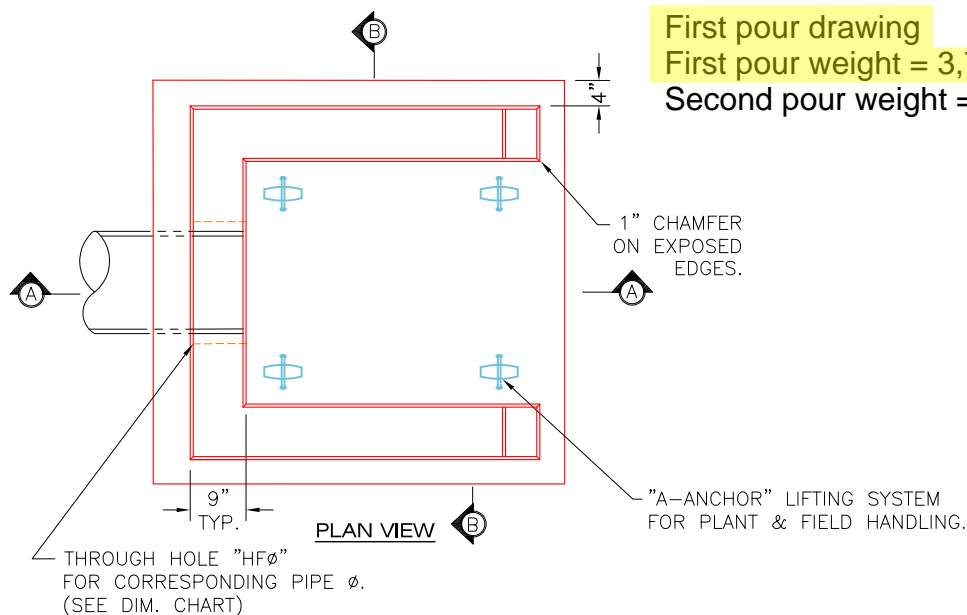


DIMENSIONS & WEIGHTS FOR PVC PIPE					
PIPE ϕ	PVC O.D.	A	B	HF ϕ	WEIGHT
12"	12.5"	50"	38"	16"	5,845 LBS.
15"	15.3"	52"	42"	18"	6,575 LBS.
18"	18.7"	56"	48"	22"	7,920 LBS.
24"	24.8"	62"	54"	28"	9,800 LBS.

First pour drawing
First pour weight = 3,750 LBS
Second pour weight = 2,825 LBS



~NOTES:

1. CONCRETE: 4,500 PSI @ 28 DAYS.
2. REINFORCING: #5 BAR @ 12" C/C E.W., GRADE 60, WITH 2" CONCRETE COVER MIN. (TYPICAL).
3. 1" CHAMFER REQUIRED ON EXPOSED EDGES.
4. CAGE REINFORCING BARS TO BE TACK WELDED OR TIED.
5. PIPE AND LIFTING ANCHOR POCKETS TO BE GROUTED WITH MSD APPROVED NON-SHRINK GROUT.
6. DRAWING TO BE USED IN CONJUNCTION WITH MSD STANDARD DRAWING DH-03-01.
7. PREFORMED HOLE SIZES ARE OUTSIDE DIAMETER OF PIPE + 3"-4".

INFRASTRUCTURE PRECAST, INC.

981 WEST 7TH ST., BEAVER DAM, KY. 42320
 PHONE: (270) 363-2238, FAX: (270) 298-7424

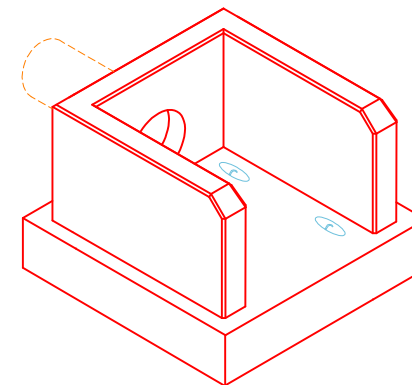
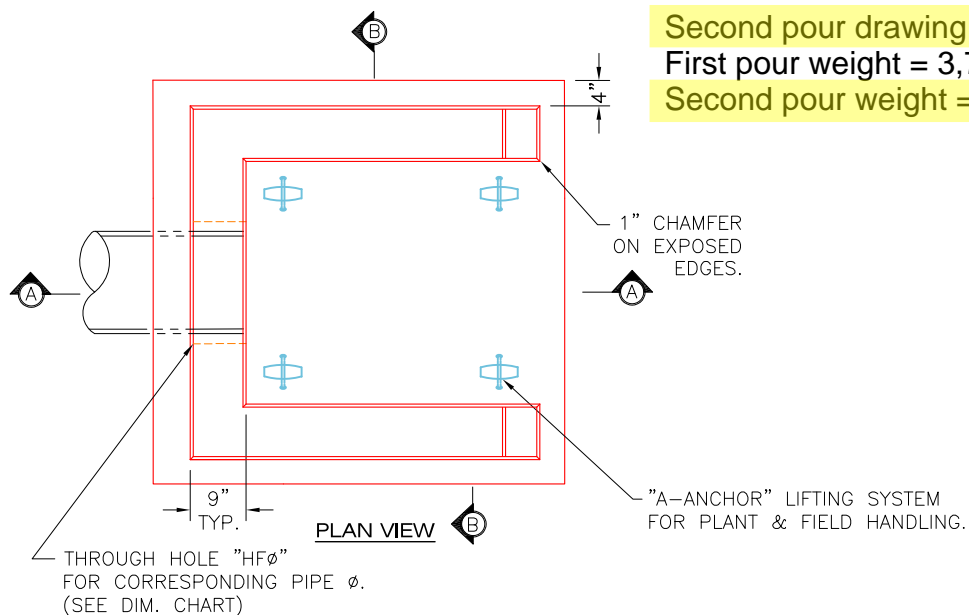
MSD 12"-24" "U" HEADWALL
 (FOR CIRCULAR OR NON-CIRCULAR PIPE)

DRAWING NO.: ET-MSD-403	DATE: 07-31-24
REVIEWED BY: J.H. ROSS, PE	DRAWN BY: N. RICHARDS
WEB: WWW.ICASTINC.COM	SCALE: NTS

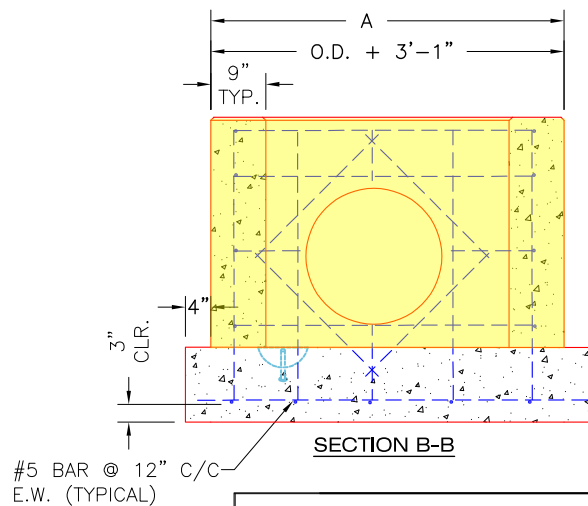
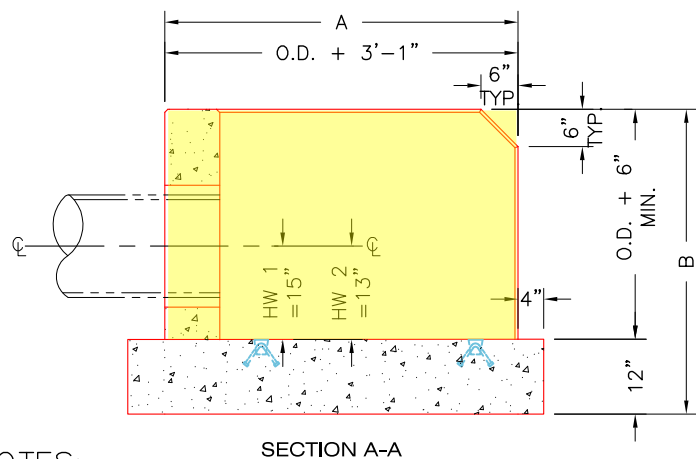


DIMENSIONS & WEIGHTS FOR PVC PIPE					
PIPE ϕ	PVC O.D.	A	B	HF ϕ	WEIGHT
12"	12.5"	50"	38"	16"	5,845 LBS.
15"	15.3"	52"	42"	18"	6,575 LBS.
18"	18.7"	56"	48"	22"	7,920 LBS.
24"	24.8"	62"	54"	28"	9,800 LBS.

Second pour drawing
 First pour weight = 3,750 LBS
 Second pour weight = 2,825 LBS



ISOMETRIC VIEW



~NOTES:

1. CONCRETE: 4,500 PSI @ 28 DAYS.
2. REINFORCING: #5 BAR @ 12" C/C E.W., GRADE 60, WITH 2" CONCRETE COVER MIN. (TYPICAL).
3. 1" CHAMFER REQUIRED ON EXPOSED EDGES.
4. CAGE REINFORCING BARS TO BE TACK WELDED OR TIED.
5. PIPE AND LIFTING ANCHOR POCKETS TO BE GROUTED WITH MSD APPROVED NON-SHRINK GROUT.
6. DRAWING TO BE USED IN CONJUNCTION WITH MSD STANDARD DRAWING DH-03-01.
7. PREFORMED HOLE SIZES ARE OUTSIDE DIAMETER OF PIPE + 3"-4".

INFRASTRUCTURE PRECAST, INC.

981 WEST 7TH ST., BEAVER DAM, KY. 42320
 PHONE: (270) 363-2238, FAX: (270) 298-7424

MSD 12"-24" "U" HEADWALL
 (FOR CIRCULAR OR NON-CIRCULAR PIPE)

DRAWING NO.: ET-MSD-403 DATE: 07-31-24
 REVIEWED BY: J.H. ROSS, PE DRAWN BY: N. RICHARDS
 WEB: WWW.ICASTINC.COM SCALE: NTS

