

Job Name: 25-3452 - Churchill Downs Skye Terrace Improvements
 Job Location: Louisville, KY 40208
 Contractor: Louisville Paving and Construction

Plant: 100

4/30/2026 1:21:51 PM

Tech: Jared - F

PC: J. Jarvis



Structure ID: S210

P1 MH060BAVF

MH BASE Custom Ht T/n

- P4) 32" x 32" - CASTING HEIGHT - 3"
- P3) 60" - MH FLAT TOP w/32"x32" Hole F/G - 13"
- P2) 60" - MH RISER T/G - 12"
- P1) 60" - MH BASE Custom Ht T/n - 69"
- 1) CASTING - HOE 595 F/G
- 2) 60" - Conseal CS-102 1.00"
- 1) 32" x 32" - Conseal CS-102 1.00"
- 2) Hole - 30
- 2) Hole - 16

0 lb
 2369 lb
 1253 lb
 8992 lb
 376 lb
 0 lb
 0 lb
 0 lb
 0 lb
 Structure Total: 12990 lb

Structure Notes:
 1. PER ASTM C478 SPECIFICATIONS.
 2. CONCRETE = 4,000 PSI AT 28 DAYS.
 3. NO STEPS AND NO INVERT CHANNEL.
 4. CASTING BY ICAST (HOE 595 F/G)

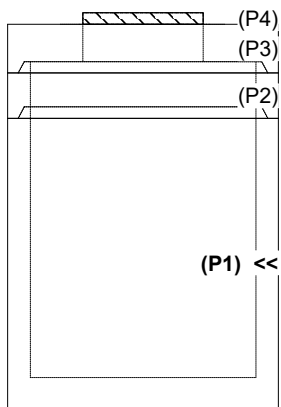
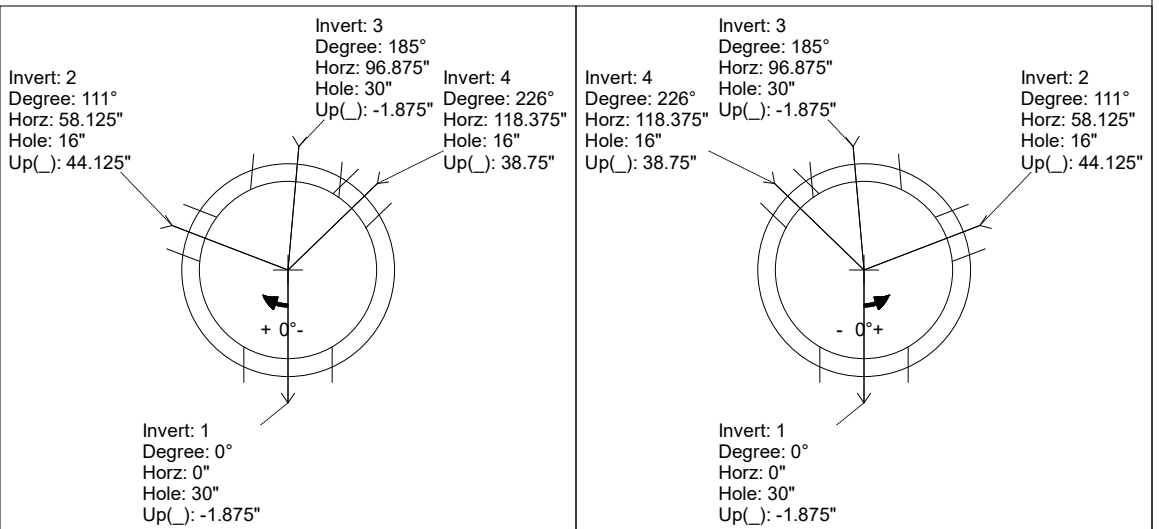
REINFORCING PER ASTM A615 (GRADE 60).
 - TOP SLAB (As .62) #5 BARS AT 6" C.C.E.W..
 - RISER/WALLS (As .18)
 - FLOOR (As .37) #5 BARS AT 10" C.C.E.W.

Rim: 454.59' Rim to Invert: 8.15' Slack: 0.8" Sump: 0" Step Position:

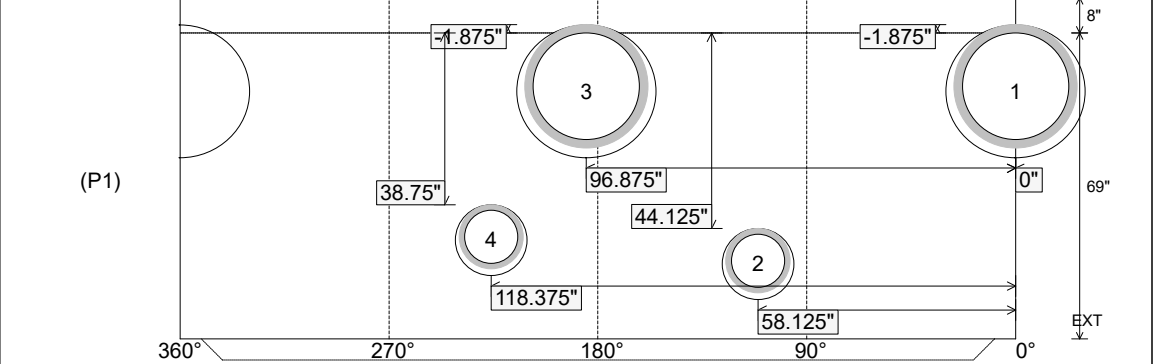
Position	Elev	Angle	Ext. (cw)	Pipe	Pipe OD	Connector	Hole	Horz Size	Up ()	Offset
Invert 1	446.44'	0°	0"	24" HDPE	27.8"	Hole 30	30"	31.416"	-1.875"	0"
Invert 2	450.22'	111°	69.75"	12" HDPE	14.5"	Hole 16	16"	16.196"	44.125"	0"
Invert 3	446.44'	185°	116.25"	24" HDPE	27.8"	Hole 30	30"	31.416"	-1.875"	0"
Invert 4	449.77'	226°	142"	12" HDPE	14.5"	Hole 16	16"	16.196"	38.75"	0"
Invert 5										
Invert 6										
Invert 7										
Invert 8										

RIGHT-SIDE UP VIEW (int. dimensions)

UPSIDE-DOWN VIEW (int. dimensions)



INSIDE WALL DIMENSIONS



Coating (Int): Coating (Ext):	Seam Up: Tongue Seam Dn: n/a	Wall Thickness: 6" Floor Height: 8"	Height (Int): 69" Height (Ext): 77"	Weight (Net): 8992 lb Volume (Net): 2.3cu.yd
----------------------------------	---------------------------------	--	--	---