

Structure ID: A-5

P1 MH048BA36CDARED

MH BASE w/ConBlock-CDA Red T/n

P5) 24" - CASTING HEIGHT - 6" P4) 24" - GRADE RING w/ConBlock-CDA Red F/F - 3" P3) 48" - ECC CONE w/ 24" HOLE, w/ConBlock-CDA Red F/G - 42" P2) 48" - MH RISER SPECIAL w/ConBlock-CDA Red T/G - 72" P1) 48" - MH BASE w/ConBlock-CDA Red T/n - 36" 1) 48" - MH INVERT CHANNEL w/ConBlock-CDA Red - FULL HEIGHT 1) JOINT WRAP - 0.065"x6"x50' CONSEAL CS212 1) JOINT WRAP PRIMER - CONSEAL CS-75 (1 gal.) 1) ADMIXTURE CONBLOCK CDA RED 1) CASTING - JBS 1155 F/C SANITARY 2) 48" - Conseal CS-102 1.00" (Double) 2) 24" - Conseal CS-102 1.00" (Double) 2) PSX - 12-08 NYLO 1) PSX - 8QRS DD 13) MH Step ML-10-TDS-NCR - 10"	0 lb 202 lb 3116 lb 5009 lb 3749 lb 1440 lb 0 lb 0 lb 0 lb 250 lb 0 lb 0 lb 16 lb 6 lb 0 lb ----- Structure Total: 13789 lb
--	---

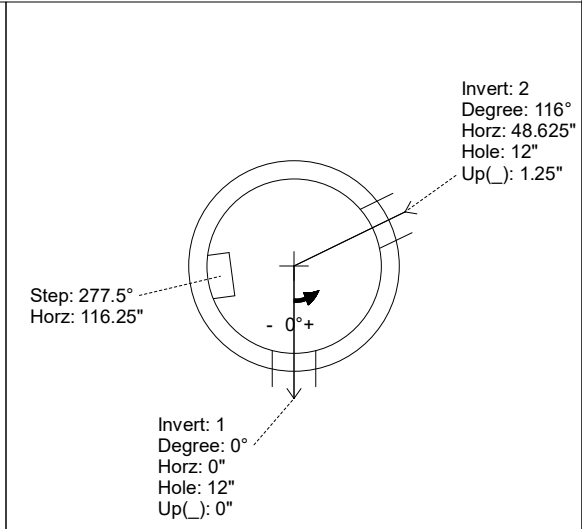
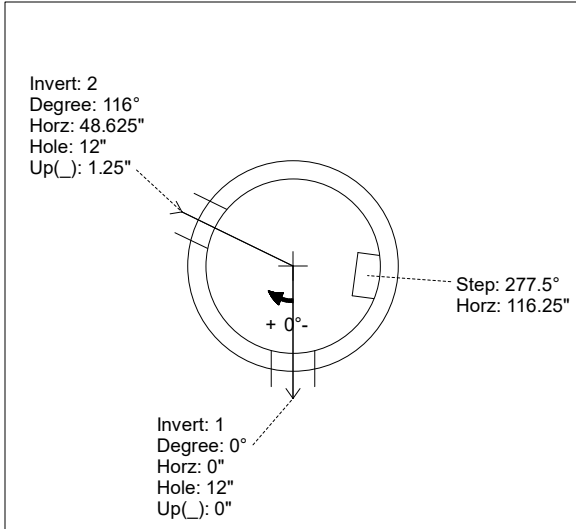
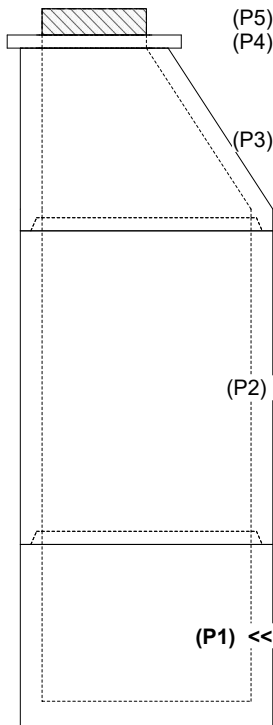
- Structure Notes:
1. PER ASTM C-478 SPECIFICATIONS
 2. CONCRETE: 4,000 PSI AT 28 DAYS
 3. REINFORCEMENT: PER ASTM A615
 4. INVERT CHANNEL REQUIRED
 5. CONBLOCK CDA RED ADMIXTURE REQUIRED
 6. STEPS AT 277.5 DEGREES
 7. JBS 1155 FRAME & COVER "SANITARY" SUPPLIED BY ICAST

Rim: 429.84' Rim to Invert: 13.14' Slack: 0.68" Sump: 2" Step Position: 277.5°

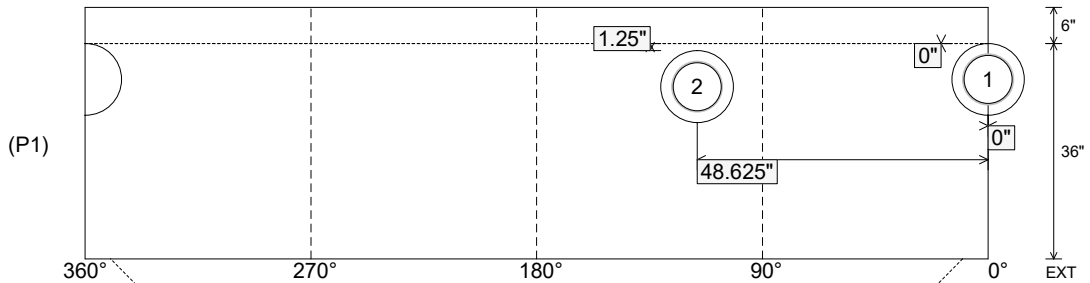
Position	Elev	Angle	Ext. (cw)	Pipe	Pipe OD	Connector	Hole	Horz Size	Up ()	Offset
Invert 1	416.7'	0°	0"	8" PVC SDR26	8.5"	PSX 12-08 NYLO	12"	12.129"	0"	0"
Invert 2	416.8'	116°	58.75"	8" PVC SDR26	8.5"	PSX 12-08 NYLO	12"	12.129"	1.25"	0"
Invert 3										
Invert 4										
Invert 5										
Invert 6										
Invert 7										
Invert 8										

RIGHT-SIDE UP VIEW (int. dimensions)

UPSIDE-DOWN VIEW (int. dimensions)



INSIDE WALL DIMENSIONS



Coating (Int): Coating (Ext):	Seam Up: Tongue Seam Dn: n/a	Wall Thickness: 5" Floor Height: 6"	Height (Int): 36" Height (Ext): 42"	Weight (Net): 3749 lb Volume (Net): 0.96cu.yd
----------------------------------	---------------------------------	--	--	--

Structure ID: A-5

P1 MH048BA36CDARED

MH BASE w/ConBlock-CDA Red T/n

P5) 24" - CASTING HEIGHT - 6" P4) 24" - GRADE RING w/ConBlock-CDA Red F/F - 3" P3) 48" - ECC CONE w/ 24" HOLE, w/ConBlock-CDA Red F/G - 42" P2) 48" - MH RISER SPECIAL w/ConBlock-CDA Red T/G - 72" P1) 48" - MH BASE w/ConBlock-CDA Red T/n - 36" 1) 48" - MH INVERT CHANNEL w/ConBlock-CDA Red - FULL HEIGHT 1) JOINT WRAP - 0.065"x6"x50' CONSEAL CS212 1) JOINT WRAP PRIMER - CONSEAL CS-75 (1 gal.) 1) ADMIXTURE CONBLOCK CDA RED 1) CASTING - JBS 1155 F/C SANITARY 2) 48" - Conseal CS-102 1.00" (Double) 2) 24" - Conseal CS-102 1.00" (Double) 2) PSX - 12-08 NYLO 1) PSX - 8QRS DD 13) MH Step ML-10-TDS-NCR - 10"	0 lb 202 lb 3116 lb 5009 lb 3749 lb 1440 lb 0 lb 0 lb 0 lb 250 lb 0 lb 0 lb 16 lb 6 lb 0 lb ----- Structure Total: 13789 lb
--	---

Structure Notes:

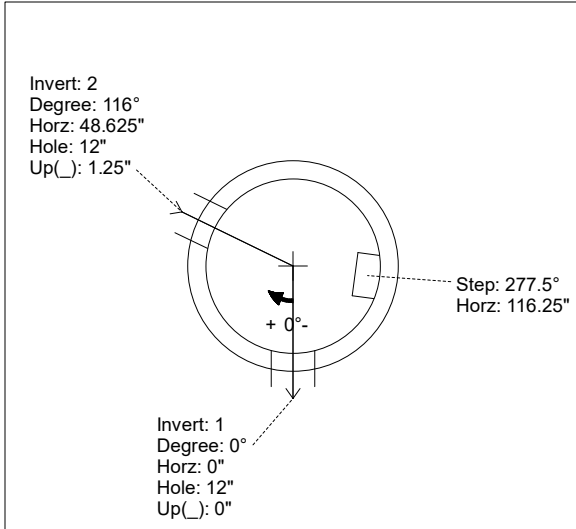
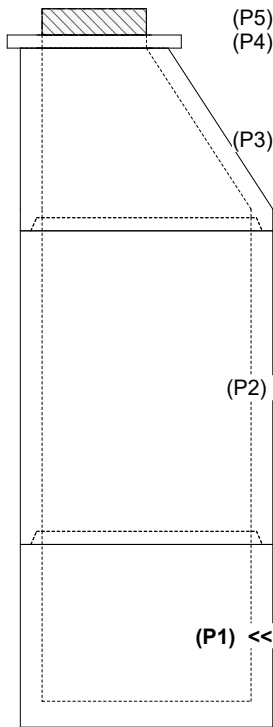
1. PER ASTM C-478 SPECIFICATIONS
2. CONCRETE: 4,000 PSI AT 28 DAYS
3. REINFORCEMENT: PER ASTM A615
4. INVERT CHANNEL REQUIRED
5. CONBLOCK CDA RED ADMIXTURE REQUIRED
6. STEPS AT 277.5 DEGREES
7. JBS 1155 FRAME & COVER "SANITARY" SUPPLIED BY ICAST

Rim: 429.84' Rim to Invert: 13.14' Slack: 0.68" Sump: 2" Step Position: 277.5°

Position	Elev	Angle	Ext. (cw)	Pipe	Pipe OD	Connector	Hole	Horz Size	Up ()	Offset
Invert 1	416.7'	0°	0"	8" PVC SDR26	8.5"	PSX 12-08 NYLO	12"	12.129"	0"	0"
Invert 2	416.8'	116°	58.75"	8" PVC SDR26	8.5"	PSX 12-08 NYLO	12"	12.129"	1.25"	0"
Invert 3										
Invert 4										
Invert 5										
Invert 6										
Invert 7										
Invert 8										

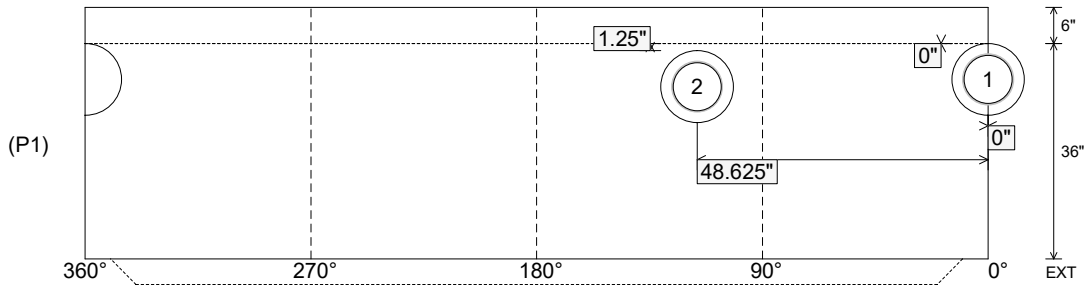
RIGHT-SIDE UP VIEW (int. dimensions)

UPSIDE-DOWN VIEW (int. dimenions)



INVERT CHANNEL
DRAWING

INSIDE WALL DIMENSIONS



Coating (Int): Coating (Ext):	Seam Up: Tongue Seam Dn: n/a	Wall Thickness: 5" Floor Height: 6"	Height (Int): 36" Height (Ext): 42"	Weight (Net): 3749 lb Volume (Net): 0.96cu.yd
----------------------------------	---------------------------------	--	--	--