

Job Name: 25-2397B - Sandy Springs Section 2 Sanitary
 Job Location: Elizabethtown, KY 42701
 Contractor: Gary Clifford

Plant: 100

5/27/2026 2:07:34 PM

Tech: J. Horsley

PC: T. Lewis



Structure ID: MH 1

P3 MH072RSVF

MH RISER Custom Ht T/F

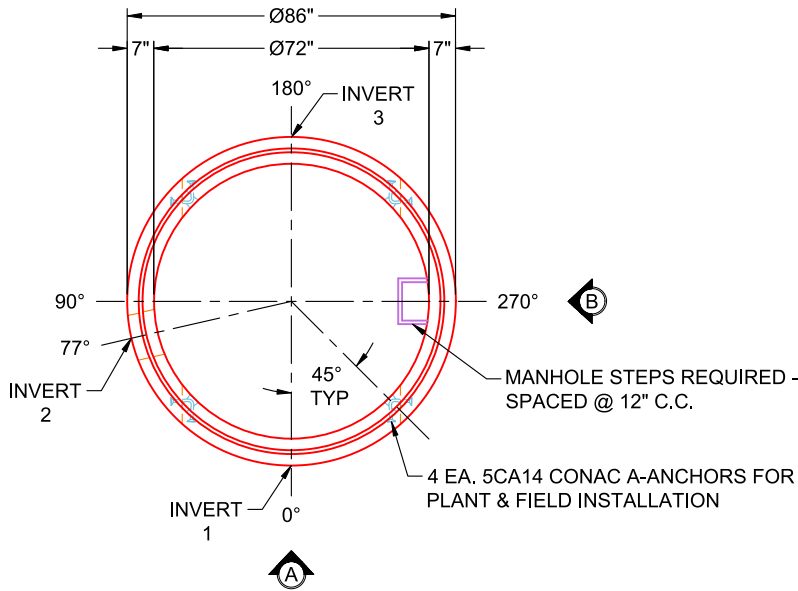
P6) 24" - CASTING HEIGHT - 7"	0 lb
P5) 48" - ECC CONE w/ 24" HOLE F/G - 30"	2050 lb
P4) 72" - MH Transition Slab 48" Hole T/G - 15"	3864 lb
P3) 72" - MH RISER Custom Ht T/F - 64"	8207 lb
P2) 72" - 18" x 12" x 84" Footer Block F/n - 12" (2 Ea.)	3046 lb (1523 lb Ea.)
P1) 72" - P.I.P. By Others - Pipe Backfill F/n - 31"	0 lb
1) JOINT WRAP - 0.065"x6"x50' CONSEAL CS212	0 lb
1) JOINT WRAP PRIMER - CONSEAL CS-75 (1 gal.)	0 lb
1) CASTING - HOE MC-315 F/C Sanitary	258 lb
1) 72" - Conseal CS-102 1.00" (Double)	0 lb
1) 48" - Conseal CS-102 1.00" (Double)	0 lb
1) 24" - Conseal CS-102 1.00" (Double)	0 lb
2) DOGHOUSE - 62 x 19	0 lb
1) PSX - 12-08 DD (DBL Bands)	8 lb
9) MH Step ML-10-TDS-NCR - 10"	0 lb
Structure Total:	17425 lb

Structure Notes:

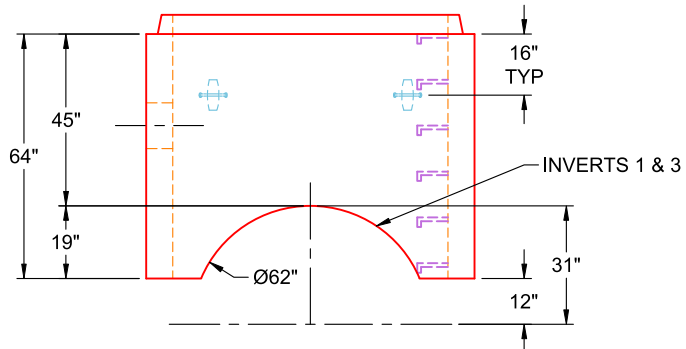
- PER ASTM C-478 SPECIFICATIONS
- CONCRETE: 4,000 PSI AT 28 DAYS
- REINFORCEMENT: PER ASTM A615
- NO INVERT CHANNEL
- STEPS AT 270 DEGREES
- HOE MC-315 FRAME & COVER "SANITARY" SUPPLIED BY ICAST
- LIFTERS: 4 EA. 5CA14 CONAC A-ANCHORS FOR PLANT & FIELD HANDLING - INSTALLED AS SHOWN
- DOUBLE BANDS REQUIRED FOR EACH DIRECT DRIVE BOOT (SUPPLIED BY ICAST)

Rim: 689.3' Rim to Invert: 12.69' Slack: 0.28" Sump: 7" Step Position: 270°

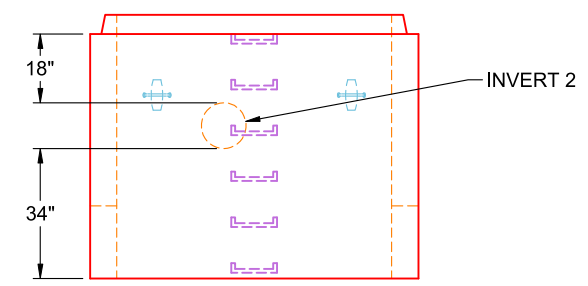
Position	Elev	Angle	Ext. (cw)	Pipe	Pipe OD	Connector	Hole	Horz Size	Up (L)	Offset
Invert 1	676.61'	0°	0"	48" RCP B WALL	58"	DOGHOUSE 62 x 19	62" x 19"	66.047"	0"	0"
Invert 2	682.61'	77°	57.75"	8" PVC SDR35	8.5"	PSX 12-08 DD (DBL Bands)	12"	12.056"	34"	0"
Invert 3	676.61'	180°	135.125"	48" RCP B WALL	58"	DOGHOUSE 62 x 19	62" x 19"	66.047"	0"	0"
Invert 4										



PLAN VIEW (RIGHT SIDE UP)



VIEW A (RIGHT SIDE UP)



VIEW B (RIGHT SIDE UP)

Coating (Int): Coating (Ext):	Seam Up: Tongue Seam Dn: Flat	Wall Thickness: 7" Floor Height: 0"	Height (Int): 64" Height (Ext): 64"	Weight (Net): 8207 lb Volume (Net): 2.1cu.yd
----------------------------------	----------------------------------	--	--	---