

Job Name: 25-1684P10 KYTC Jefferson Co. Call 200
 Job Location: I-264 Louisville, Ky.
 Contractor: Cleary Construction, Inc.

Plant: Beaver Dam, Ky.
 5/20/2026 9:23:50 AM

Tech: J. Coppage
 PC: J. Jarvis



Structure ID: 405+52 RT DBI-16S INLET 49

P1 BX2460-08BAVF

BOX BASE 8inW, 8inF, Variable Ht

- P2) 24" x 60" - P.I.P. - BY OTHERS - 8"
- P1) 24" x 60" - BOX BASE 8inW, 8inF, Variable Ht - 20"
- 1) SECONDARY POUR - WALLS
- 2) Hole - 18
- 2) Hole - 4

0 lb
 4297 lb
 0 lb
 0 lb
 0 lb

 Structure Total: 4297 lb

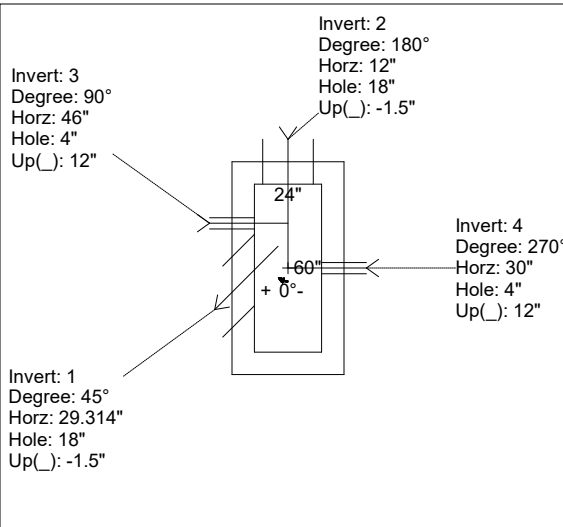
Structure Notes:
 -KYTC STATE PROJECT 251007
 -REINFORCING: #5 BAR @ 12" C/C E.W. (TYP.)
 -DBI 16S FRAME & GRATE BY OTHERS.
 -CS-102 BUTYL REQUIRED (SUPPLIED BY ICAST).
 -KYTC CERTIFICATIONS REQUIRED.

Rim: 590.02' Rim to Invert: 2.35' Slack: 0.2" Sump: 0" Step Position:

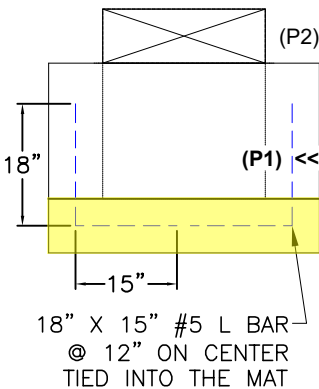
Position	Elev	Angle	Ext. (cw)	Pipe	Pipe OD	Connector	Hole	Horz Size	Up ()	Offset
Invert 1	587.67'	45°	29.314"	15" CMP	16"	Hole 18	18"	25.456"	-1.5"	8"
Invert 2	587.67'	180°	20"	15" CMP	16"	Hole 18	18"	18"	-1.5"	0"
Invert 3	588.67'	90°	54"	4" WEEP HOLE	4"	Hole 4	4"	4"	12"	16"
Invert 4	588.67'	270°	38"	4" WEEP HOLE	4"	Hole 4	4"	4"	12"	0"
Invert 5										
Invert 6										
Invert 7										
Invert 8										

RIGHT-SIDE UP VIEW (int. dimensions)

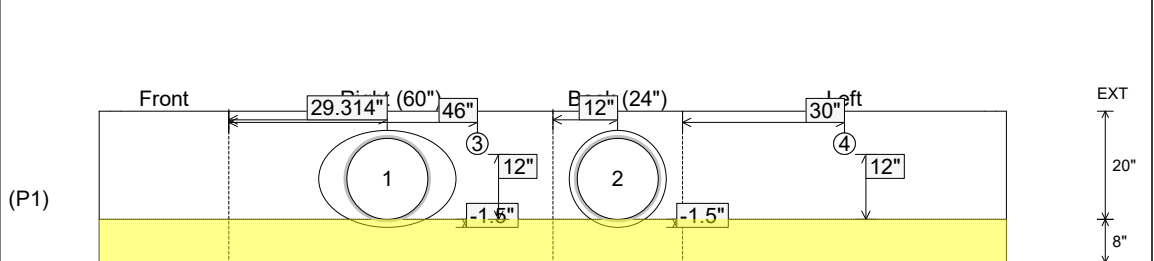
UPSIDE-DOWN VIEW (int. dimensions)



FIRST POUR DRAWING
WEIGHTS:
FIRST POUR: 2,041 LBS
SECOND POUR: 2,256 LBS
TOTAL: 4,297 LBS



INSIDE WALL DIMENSIONS



Coating (Int):
 Coating (Ext):

Seam Up: Flat
 Seam Dn: n/a

Wall Thickness: 8"
 Floor Height: 8"

Height (Int): 20"
 Height (Ext): 28"

Weight (Net): 4297 lb
 Volume (Net): 1.1cu.yd

Job Name: 25-1684P10 KYTC Jefferson Co. Call 200
 Job Location: I-264 Louisville, Ky.
 Contractor: Cleary Construction, Inc.

Plant: Beaver Dam, Ky.
 5/20/2026 9:23:50 AM

Tech: J. Coppage
 PC: J. Jarvis



Structure ID: 405+52 RT DBI-16S INLET 49

P1 BX2460-08BAVF

BOX BASE 8inW, 8inF, Variable Ht

- P2) 24" x 60" - P.I.P. - BY OTHERS - 8"
- P1) 24" x 60" - BOX BASE 8inW, 8inF, Variable Ht - 20"
- 1) SECONDARY POUR - WALLS
- 2) Hole - 18
- 2) Hole - 4

0 lb
 4297 lb
 0 lb
 0 lb
 0 lb

 0 lb
 Structure Total: 4297 lb

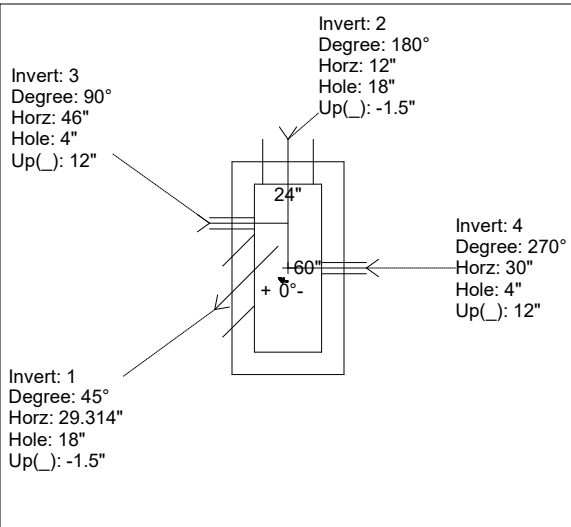
Structure Notes:
 -KYTC STATE PROJECT 251007
 -REINFORCING: #5 BAR @ 12" C/C E.W. (TYP.)
 -DBI 16S FRAME & GRATE BY OTHERS.
 -CS-102 BUTYL REQUIRED (SUPPLIED BY ICAST).
 -KYTC CERTIFICATIONS REQUIRED.

Rim: 590.02' Rim to Invert: 2.35' Slack: 0.2" Sump: 0" Step Position:

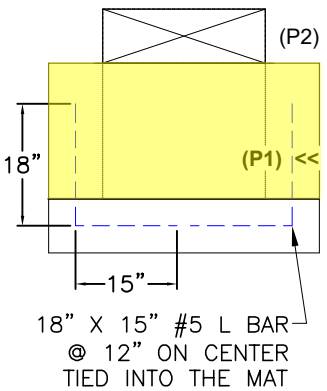
Position	Elev	Angle	Ext. (cw)	Pipe	Pipe OD	Connector	Hole	Horz Size	Up ()	Offset
Invert 1	587.67'	45°	29.314"	15" CMP	16"	Hole 18	18"	25.456"	-1.5"	8"
Invert 2	587.67'	180°	20"	15" CMP	16"	Hole 18	18"	18"	-1.5"	0"
Invert 3	588.67'	90°	54"	4" WEEP HOLE	4"	Hole 4	4"	4"	12"	16"
Invert 4	588.67'	270°	38"	4" WEEP HOLE	4"	Hole 4	4"	4"	12"	0"
Invert 5										
Invert 6										
Invert 7										
Invert 8										

RIGHT-SIDE UP VIEW (int. dimensions)

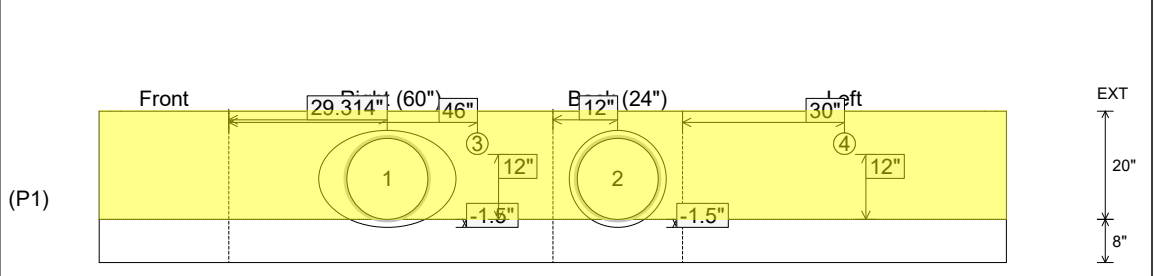
UPSIDE-DOWN VIEW (int. dimensions)



SECOND POUR DRAWING
WEIGHTS:
FIRST POUR: 2,041 LBS
SECOND POUR: 2,256 LBS
TOTAL: 4,297 LBS



INSIDE WALL DIMENSIONS



Coating (Int):
 Coating (Ext):

Seam Up: Flat
 Seam Dn: n/a

Wall Thickness: 8"
 Floor Height: 8"

Height (Int): 20"
 Height (Ext): 28"

Weight (Net): 4297 lb
 Volume (Net): 1.1cu.yd