

Job Name: 25-1684P10 KYTC Jefferson Co. Call 200
 Job Location: I-264 Louisville, Ky.
 Contractor: Cleary Construction, Inc.

Plant: Beaver Dam, Ky.
 5/20/2026 9:16:09 AM

Tech: J. Coppage
 PC: J. Jarvis

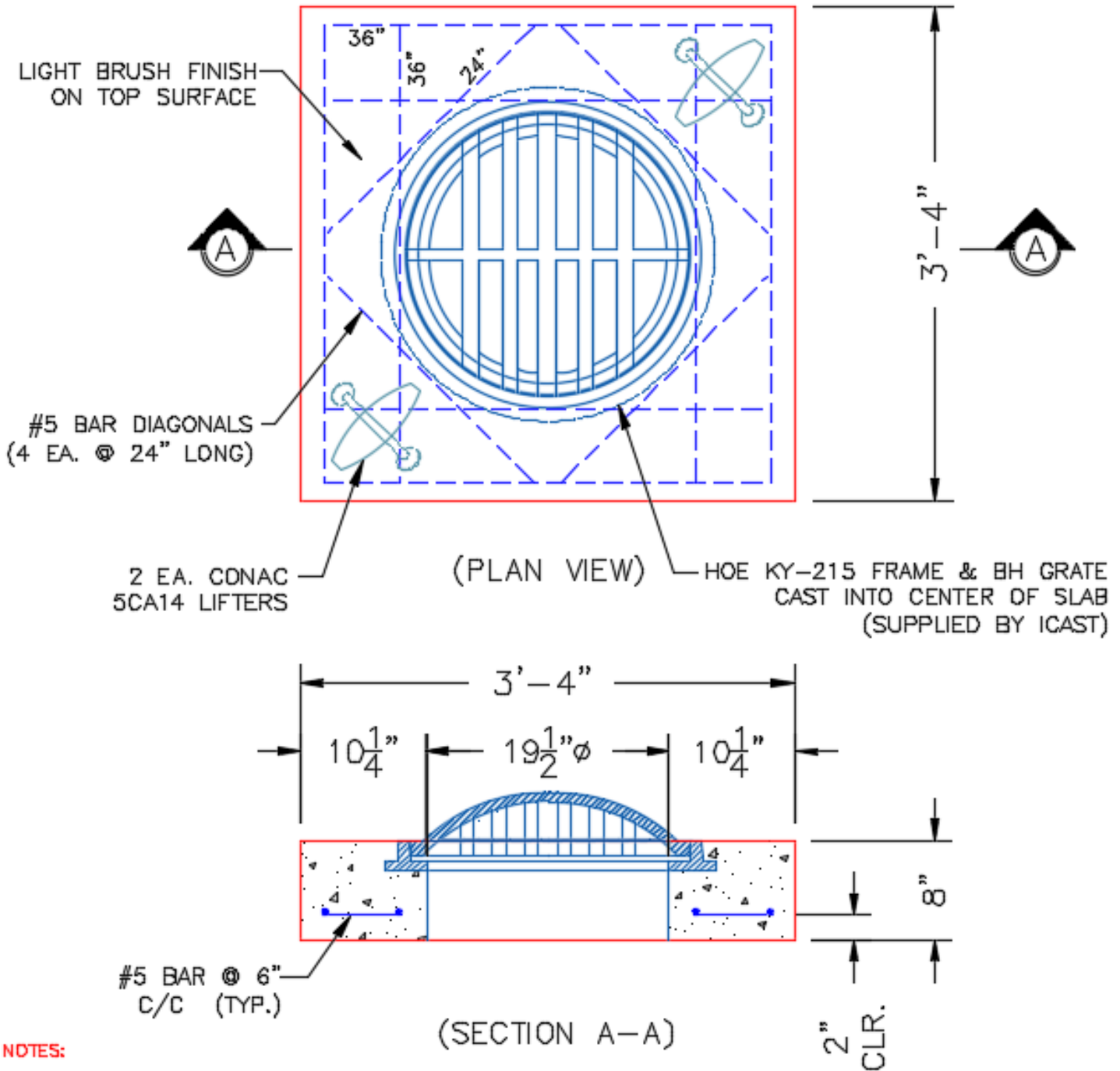


Structure ID: 113+44 RT DBI-15 INLET 2

P2 BX024024-08LD08-14

CB FLAT TOP 8"W (HOE KY-215 F&G)

KYTC STATE PROJECT



LIGHT BRUSH FINISH ON TOP SURFACE

#5 BAR DIAGONALS (4 EA. @ 24" LONG)

2 EA. CONAC 5CA14 LIFTERS

(PLAN VIEW)

HOE KY-215 FRAME & BH GRATE CAST INTO CENTER OF SLAB (SUPPLIED BY ICAST)

NOTES:

- CONCRETE: 4500 PSI @ 28 DAYS.
- MANUFACTURED TO KYTC & ASTM C-913 SPECIFICATIONS.
- REINFORCING: #5 BAR AS SHOWN-GRADE 60. (2" CLR.)

#5 BAR CUT LIST
 8 EA. @ 36" LG.
 4 EA. @ 24" LG.

Coating (Int): Coating (Ext):	Seam Up: Flat Seam Dn: Flat	Wall Thickness: 8"	Height (Ext): 8"	Weight (Net): 770 lb Volume (Net): 0.2cu.yd
----------------------------------	--------------------------------	--------------------	------------------	--