

Job Name: 25-1684P10 KYTC Jefferson Co. Call 200  
 Job Location: I-264 Louisville, Ky.  
 Contractor: Cleary Construction, Inc.

Plant: Beaver Dam, Ky.  
 5/20/2026 9:14:52 AM

Tech: J. Coppage  
 PC: J. Jarvis



**Structure ID: 113+44 RT CBI-A INLET 1**

**P1 BX2436-08BA30 BOX BASE 8inW, 8inF**

- P3) 24" x 120" - CB INLET KY A 10' TOP LEFT - 10"
- P2) 24" x 120" - CB INLET KY A 10' BOTTOM LEFT - 18"
- P1) 24" x 36" - BOX BASE 8inW, 8inF - 30"
- 1) 24" x 36" - Conseal CS-102 1.00"
- 1) Hole - 22
- 1) Hole - 18

**Structure Notes:**  
 -KYTC STATE PROJECT 251007  
 -REINFORCING: #5 BAR @ 12" C/C E.W. (TYP.)  
 -CS-102 BUTYL REQUIRED (SUPPLIED BY ICAST).  
 -KYTC CERTIFICATIONS REQUIRED.

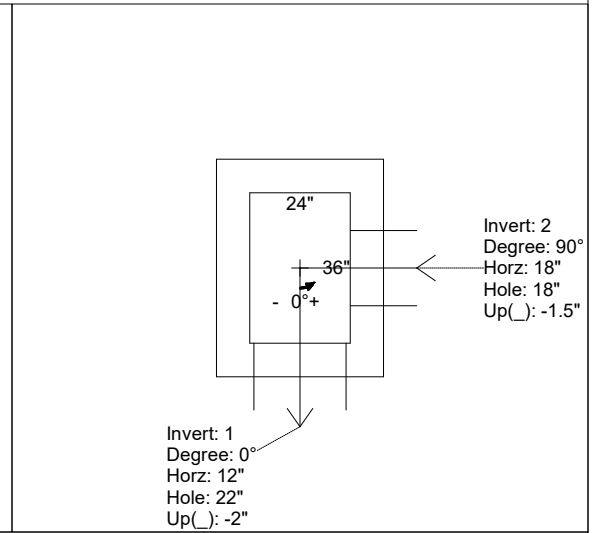
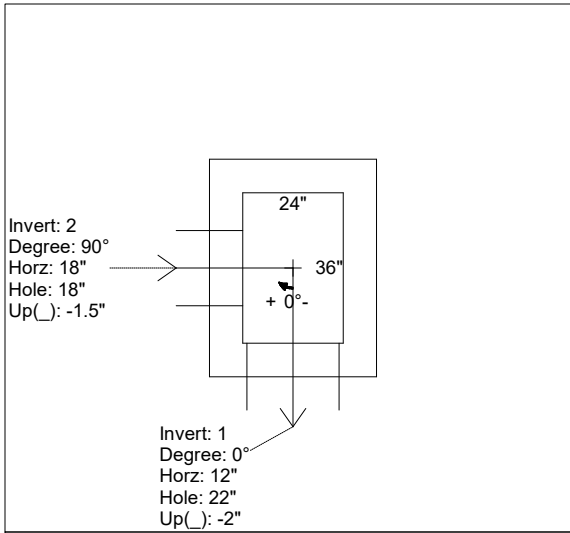
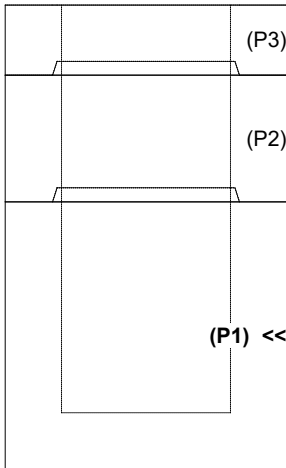
Structure Total: 12701 lb

Rim: 589.93' Rim to Invert: 5.2' Slack: 4.4" Sump: 0" Step Position:

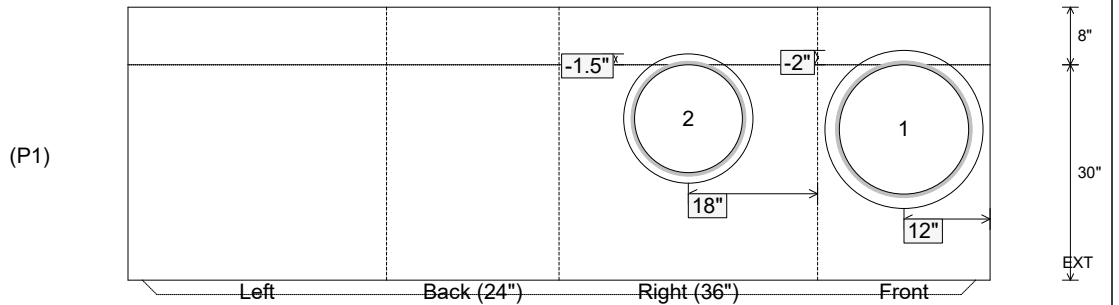
Position	Elev	Angle	Ext. (cw)	Pipe	Pipe OD	Connector	Hole	Horz Size	Up (⌊)	Offset
Invert 1	584.73'	0°	20"	18" CMP	19"	Hole 22	22"	22"	-2"	0"
Invert 2	584.73'	90°	26"	15" CMP	16"	Hole 18	18"	18"	-1.5"	0"
Invert 3										
Invert 4										
Invert 5										
Invert 6										
Invert 7										
Invert 8										

RIGHT-SIDE UP VIEW (int. dimensions)

UPSIDE-DOWN VIEW (int. dimensions)



INSIDE WALL DIMENSIONS



Coating (Int):  
 Coating (Ext):

Seam Up: Tongue  
 Seam Dn: n/a

Wall Thickness: 8"  
 Floor Height: 8"

Height (Int): 30"  
 Height (Ext): 38"

Weight (Net): 4031 lb  
 Volume (Net): 1.03cu.yd