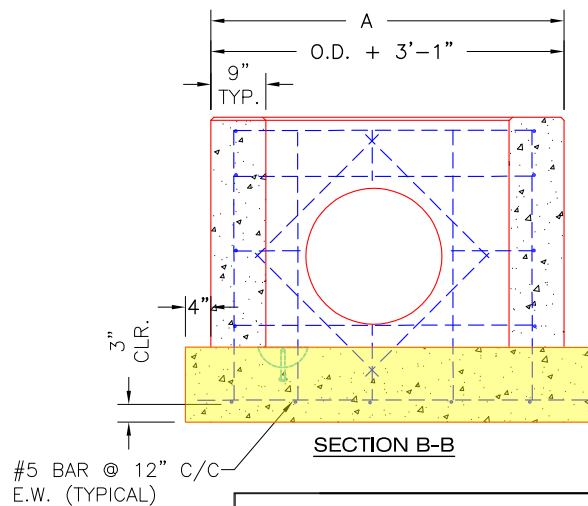
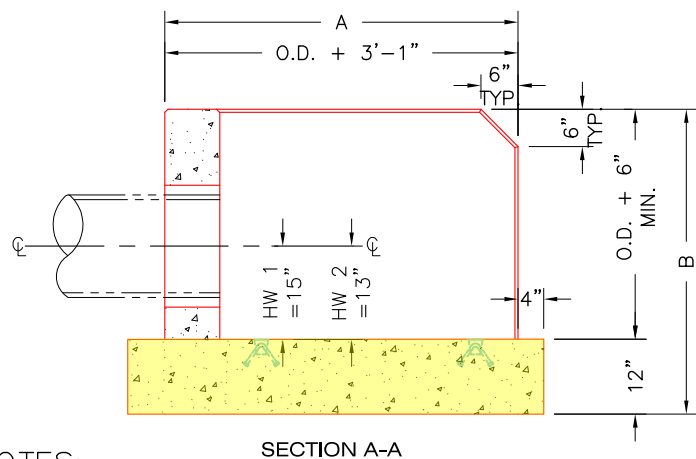
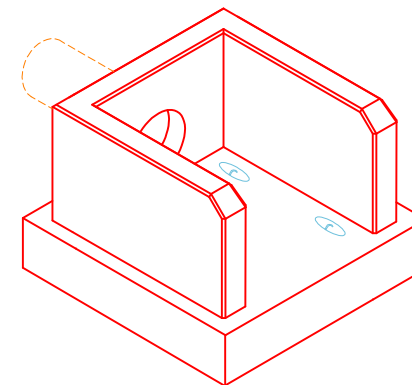
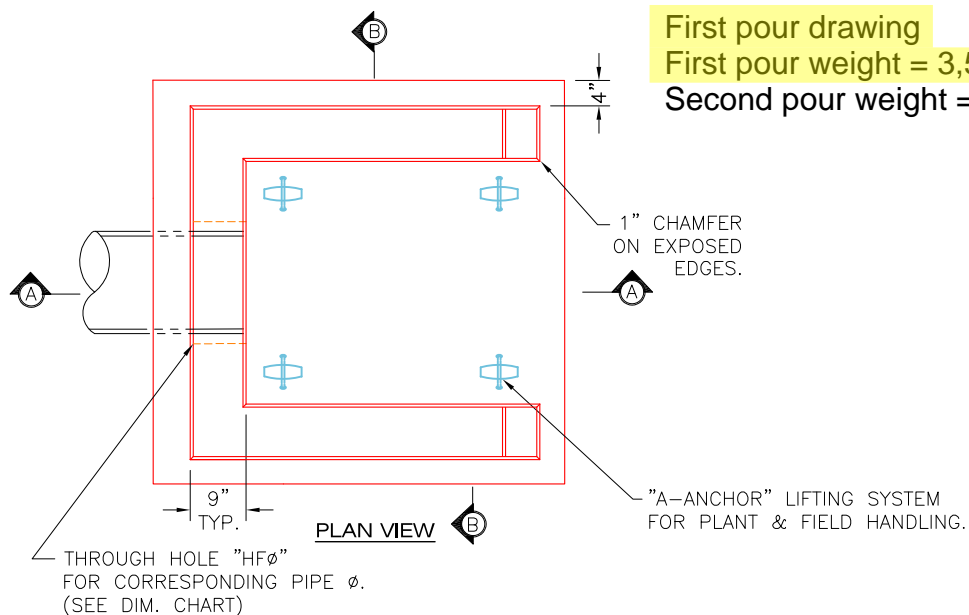


DIMENSIONS & WEIGHTS FOR PVC PIPE					
PIPE ϕ	PVC O.D.	A	B	HF ϕ	WEIGHT
12"	12.5"	50"	38"	16"	5,845 LBS.
15"	15.3"	52"	42"	18"	6,575 LBS.
18"	18.7"	56"	48"	22"	7,920 LBS.
24"	24.8"	62"	54"	28"	9,800 LBS.

First pour drawing
First pour weight = 3,504 LBS
Second pour weight = 2,341 LBS



~NOTES:

1. CONCRETE: 4,500 PSI @ 28 DAYS.
2. REINFORCING: #5 BAR @ 12" C/C E.W., GRADE 60, WITH 2" CONCRETE COVER MIN. (TYPICAL).
3. 1" CHAMFER REQUIRED ON EXPOSED EDGES.
4. CAGE REINFORCING BARS TO BE TACK WELDED OR TIED.
5. PIPE AND LIFTING ANCHOR POCKETS TO BE GROUTED WITH MSD APPROVED NON-SHRINK GROUT.
6. DRAWING TO BE USED IN CONJUNCTION WITH MSD STANDARD DRAWING DH-03-01.
7. PREFORMED HOLE SIZES ARE OUTSIDE DIAMETER OF PIPE + 3"-4".

INFRASTRUCTURE PRECAST, INC.

981 WEST 7TH ST., BEAVER DAM, KY. 42320
 PHONE: (270) 363-2238, FAX: (270) 298-7424

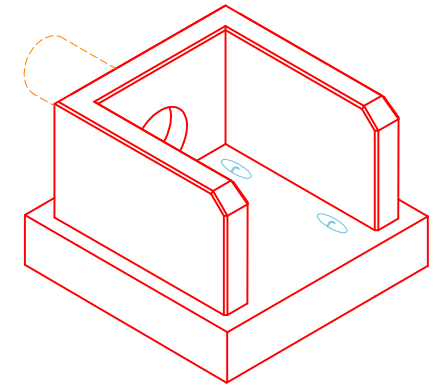
MSD 12"-24" "U" HEADWALL
 (FOR CIRCULAR OR NON-CIRCULAR PIPE)

DRAWING NO.: ET-MSD-403	DATE: 07-31-24
REVIEWED BY: J.H. ROSS, PE	DRAWN BY: N. RICHARDS
WEB: WWW.ICASTINC.COM	SCALE: NTS



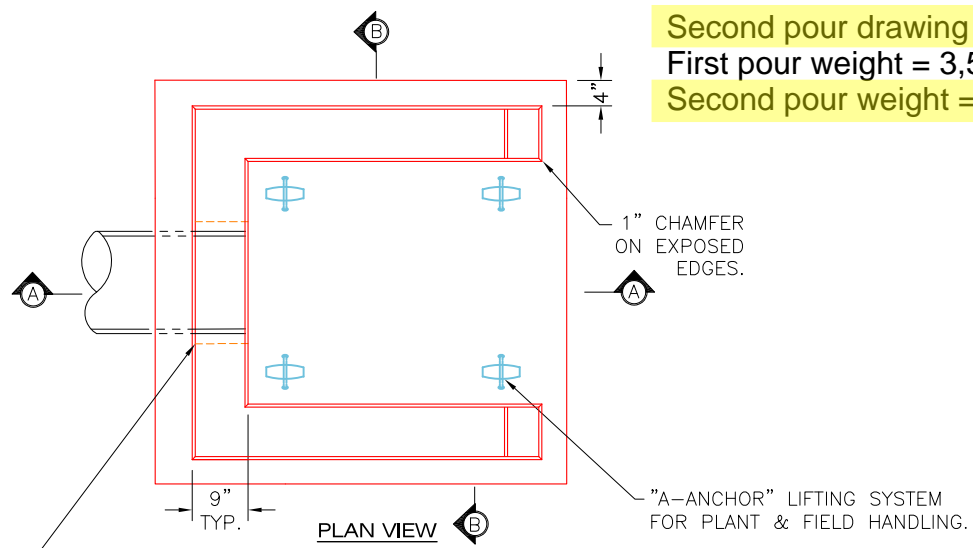


DIMENSIONS & WEIGHTS FOR PVC PIPE					
PIPE ϕ	PVC O.D.	A	B	HF ϕ	WEIGHT
12"	12.5"	50"	38"	16"	5,845 LBS.
15"	15.3"	52"	42"	18"	6,575 LBS.
18"	18.7"	56"	48"	22"	7,920 LBS.
24"	24.8"	62"	54"	28"	9,800 LBS.

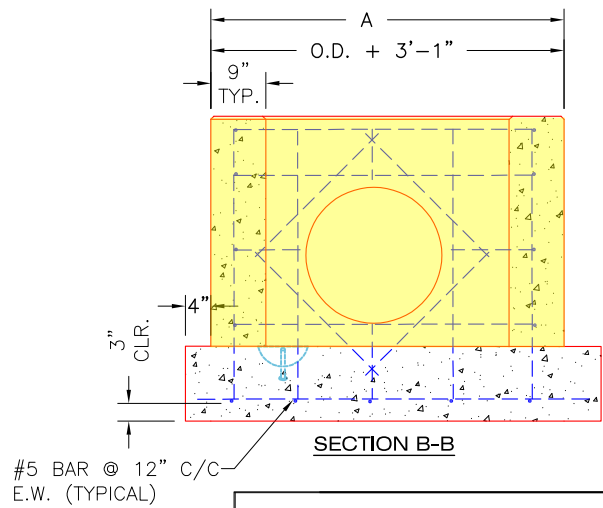
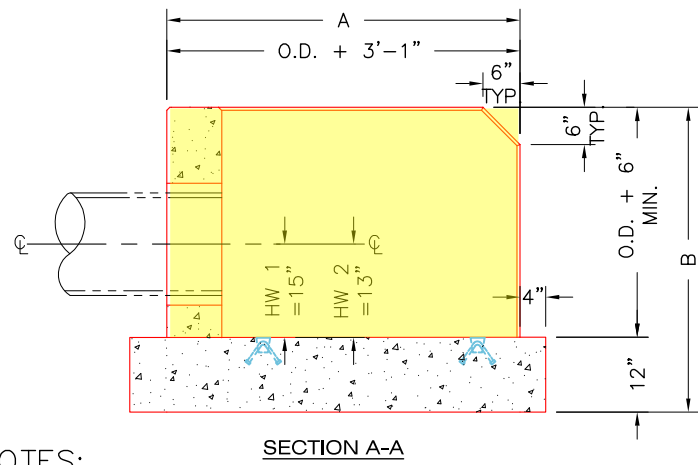


ISOMETRIC VIEW

Second pour drawing
 First pour weight = 3,504 LBS
 Second pour weight = 2,341 LBS



THROUGH HOLE "HF ϕ " FOR CORRESPONDING PIPE ϕ . (SEE DIM. CHART)



~NOTES:

1. CONCRETE: 4,500 PSI @ 28 DAYS.
2. REINFORCING: #5 BAR @ 12" C/C E.W., GRADE 60, WITH 2" CONCRETE COVER MIN. (TYPICAL).
3. 1" CHAMFER REQUIRED ON EXPOSED EDGES.
4. CAGE REINFORCING BARS TO BE TACK WELDED OR TIED.
5. PIPE AND LIFTING ANCHOR POCKETS TO BE GROUTED WITH MSD APPROVED NON-SHRINK GROUT.
6. DRAWING TO BE USED IN CONJUNCTION WITH MSD STANDARD DRAWING DH-03-01.
7. PREFORMED HOLE SIZES ARE OUTSIDE DIAMETER OF PIPE + 3"-4".

INFRASTRUCTURE PRECAST, INC.
 981 WEST 7TH ST., BEAVER DAM, KY. 42320
 PHONE: (270) 363-2238, FAX: (270) 298-7424

MSD 12"-24" "U" HEADWALL
 (FOR CIRCULAR OR NON-CIRCULAR PIPE)

DRAWING NO.: ET-MSD-403	DATE: 07-31-24
REVIEWED BY: J.H. ROSS, PE	DRAWN BY: N. RICHARDS
WEB: WWW.ICASTINC.COM	SCALE: NTS

