

Job Name: 25-3452 - Churchill Downs Skye Terrace Improvements
 Job Location: Louisville, KY 40208
 Contractor: Louisville Paving and Construction

Plant: 100
 4/30/2026 1:21:48 PM

Tech: Jared - F
 PC: J. Jarvis



Structure ID: S205

P1 MH048BAVF

MH BASE Custom Ht T/n

- P3) 32" x 32" - CASTING HEIGHT - 3"
- P2) 48" - MH FLAT TOP w/32"x32" Hole F/G - 12"
- P1) 48" - MH BASE Custom Ht T/n - 32"
- 1) CASTING - HOE 595 F/G
- 1) 48" - Conseal CS-102 1.00"
- 1) 32" x 32" - Conseal CS-102 1.00"
- 1) Hole - 20
- 2) Hole - 16

0 lb
 1629 lb
 3259 lb
 376 lb
 0 lb
 0 lb
 0 lb
 0 lb
 0 lb
 Structure Total: 5264 lb

Structure Notes:
 1. PER ASTM C478 SPECIFICATIONS.
 2. CONCRETE = 4,000 PSI AT 28 DAYS.
 3. NO STEPS AND NO INVERT CHANNEL.
 4. CASTING BY ICAST (HOE 595 F/G)

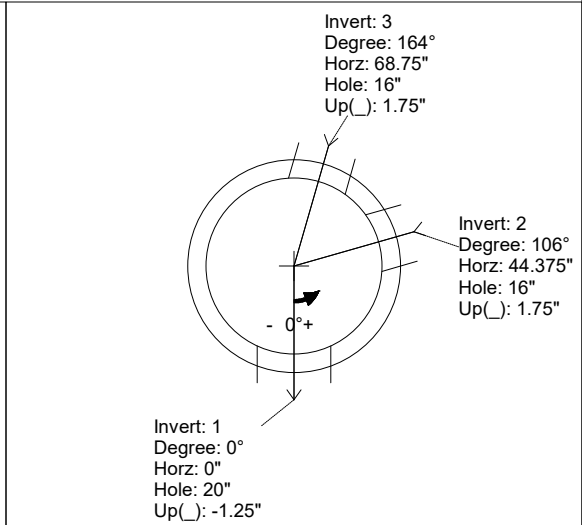
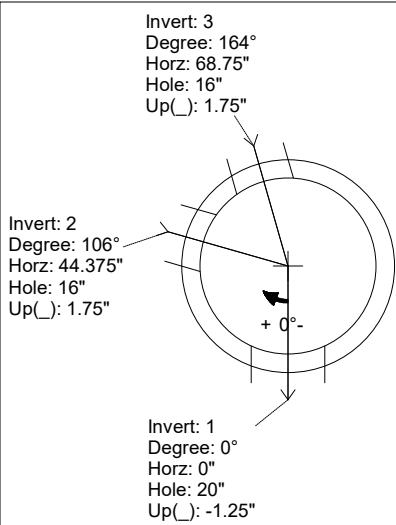
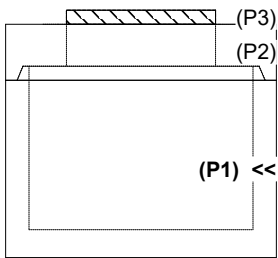
REINFORCING PER ASTM A615 (GRADE 60).
 - TOP SLAB (As .62) #5 BARS AT 6" C.C.E.W..
 - RISER/WALLS (As .12)
 - FLOOR (As .31) #5 BARS AT 12" C.C.E.W.

Rim: 454' Rim to Invert: 3.94' Slack: 0.28" Sump: 0" Step Position:

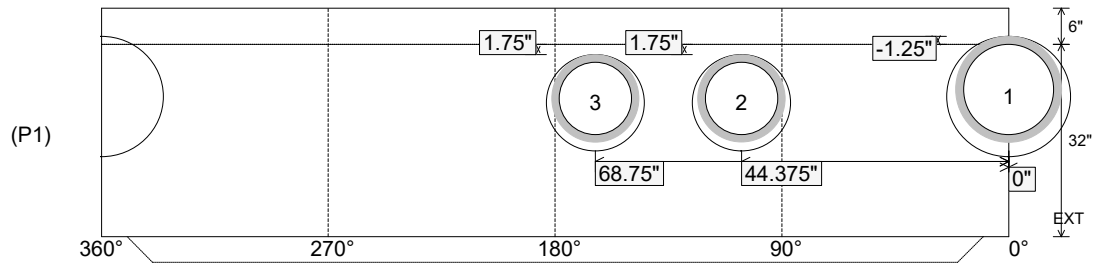
Position	Elev	Angle	Ext. (cw)	Pipe	Pipe OD	Connector	Hole	Horz Size	Up ()	Offset
Invert 1	450.06'	0°	0"	15" HDPE	17.6"	Hole 20	20"	20.629"	-1.25"	0"
Invert 2	450.31'	106°	53.625"	12" HDPE	14.5"	Hole 16	16"	16.312"	1.75"	0"
Invert 3	450.31'	164°	83"	12" HDPE	14.5"	Hole 16	16"	16.312"	1.75"	0"
Invert 4										
Invert 5										
Invert 6										
Invert 7										
Invert 8										

RIGHT-SIDE UP VIEW (int. dimensions)

UPSIDE-DOWN VIEW (int. dimensions)



INSIDE WALL DIMENSIONS



Coating (Int): Coating (Ext):	Seam Up: Tongue Seam Dn: n/a	Wall Thickness: 5" Floor Height: 6"	Height (Int): 32" Height (Ext): 38"	Weight (Net): 3259 lb Volume (Net): 0.83cu.yd
----------------------------------	---------------------------------	--	--	--