

Structure ID: 202 (3)

P1 MH048BA48

MH BASE T/n

P3) 24" - CASTING HEIGHT - 7" P2) 48" - MH FLAT LID w/24in ECC Hole F/G - 12" P1) 48" - MH BASE T/n - 48" 1) CASTING - HOE MC-315 F/C Storm 1) 48" - Conseal CS-102 1.00" 2) Hole - 26 1) Hole - 20	0 lb 1561 lb 4082 lb 258 lb 0 lb 0 lb 0 lb ----- Structure Total: 5901 lb
---	---

Structure Notes:

1. PER ASTM C478 SPECIFICATIONS.
2. CONCRETE = 4,000 PSI AT 28 DAYS.
3. CASTING BY ICAST (HOE MC-315 F/C "STORM").
4. NO STEPS.

REINFORCING PER ASTM A615 (GRADE 60).

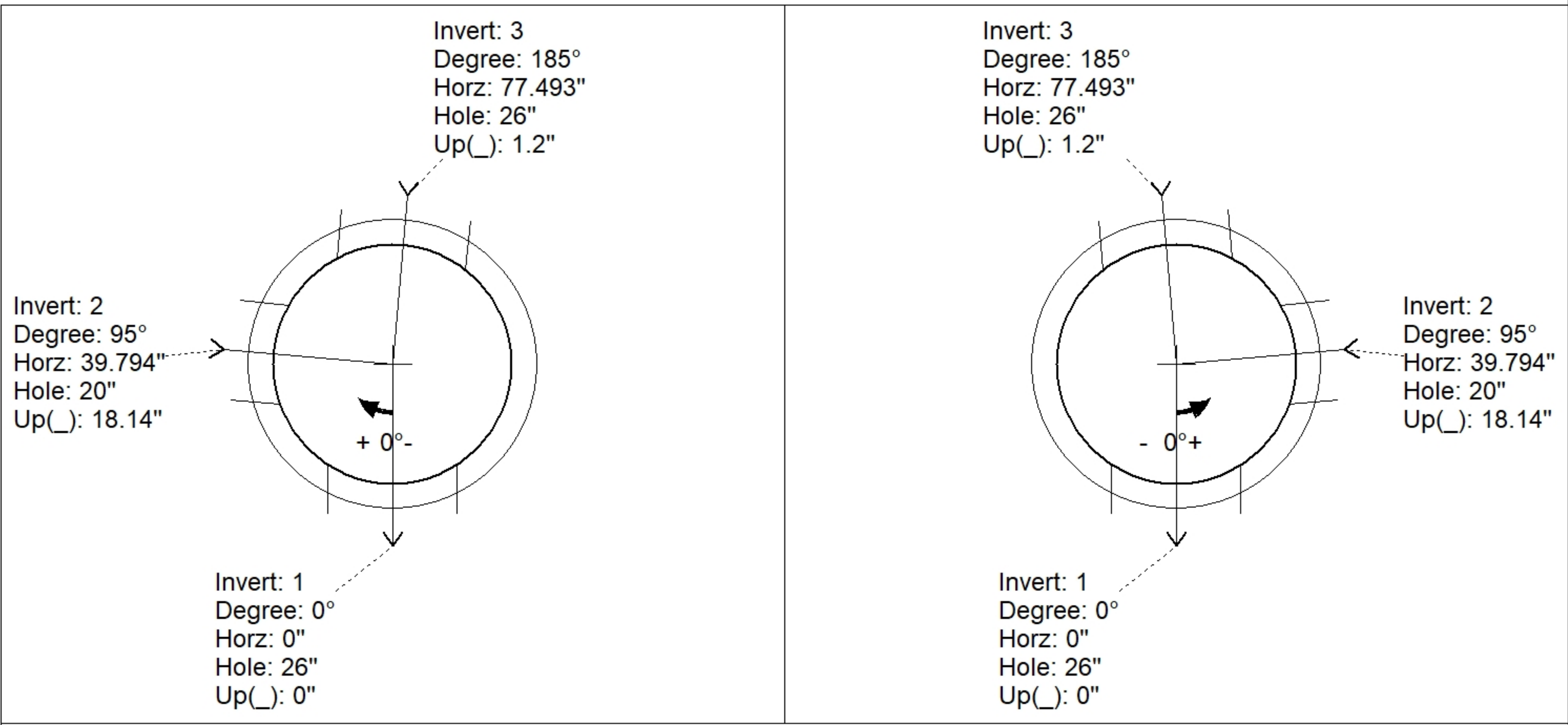
- TOP SLAB (As .62) #5 BARS AT 6" C.C.E.W..
- RISER/WALLS (As .12)
- FLOOR (As .31) #5 BARS AT 12" C.C.E.W.

Rim: 379.04' Rim to Invert: 5.61' Slack: 2.82" Sump: 2.5" Step Position:

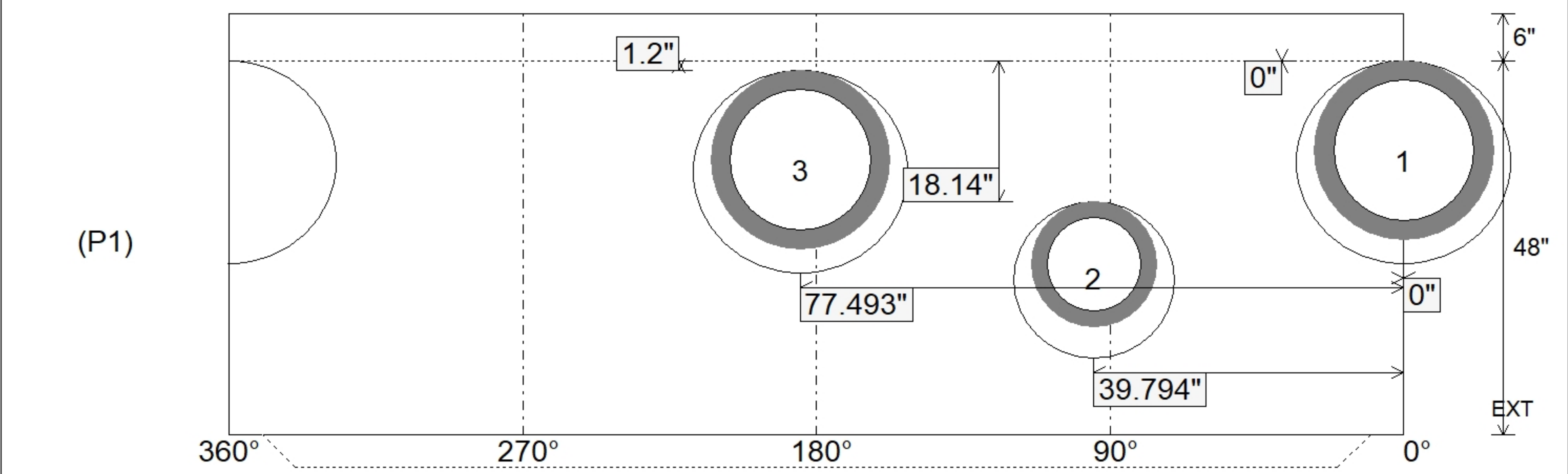
Position	Elev	Angle	Ext. (cw)	Pipe	Pipe OD	Connector	Hole	Horz Size	Up ()	Offset
Invert 1	373.43'	0°	0"	18" RCP B WALL	23"	Hole 26	26"	27.476"	0"	0"
Invert 2	374.9'	95°	48.084"	12" RCP B WALL	16"	Hole 20	20"	20.629"	18.14"	0"
Invert 3	373.53'	185°	93.637"	18" RCP B WALL	23"	Hole 26	26"	27.476"	1.2"	0"
Invert 4										
Invert 5										
Invert 6										
Invert 7										
Invert 8										

RIGHT-SIDE UP VIEW (int. dimensions)

UPSIDE-DOWN VIEW (int. dimensions)



INSIDE WALL DIMENSIONS



Coating (Int):	Seam Up: Tongue	Wall Thickness: 5"	Height (Int): 48"
Coating (Ext):	Seam Dn: n/a	Floor Height: 6"	Height (Ext): 54"
		Weight (Net): 4082 lb	
		Volume (Net): 1.04cu.yd	