

Job Name: 26-2037 830068 Marketplace
 Job Location: Georgetown, KY
 Contractor: Contech Engineering Solutions

Plant: Beaver Dam
 4/23/2026 11:53:52 AM

Tech: S. Felletter
 PC: S. Goff



Structure ID: 20-CS-8

P2 MH096RSVF

MH RISER Custom Ht T/G

- P5) 24" - CASTING HEIGHT - 0"
- P4) 96" - MH FLAT TOP SPEC. (2 - 24"Ø F&G) F/G - 17"
- P3) 96" - MH RISER T/G - 36"
- P2) 96" - MH RISER Custom Ht T/G - 82"
- P1) 96" - MH MONOBASE 13F, Custom Ht T/n - 24"
- 1) CVSTENCILING
- 1) ASSEMBLY REQUIRED
- 3) 96" - Conseal CS-102 1.00"
- 2) Hole - 24

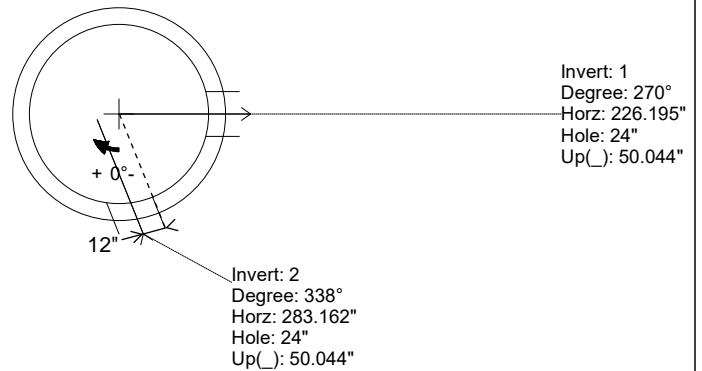
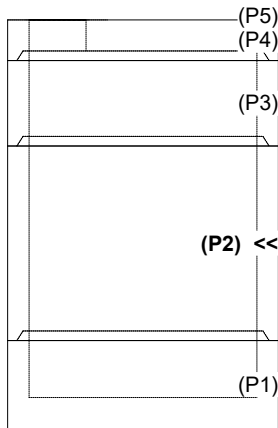
0 lb
 10017 lb
 8968 lb
 19728 lb
 17113 lb
 0 lb
 0 lb
 0 lb
 0 lb
 0 lb
 Structure Total: 55826 lb

Structure Notes:
 4" CASTING BY OTHERS
 CASTING FRAMES TO BE CAST INTO TOP SLAB
 LIFTING ANCHORS TO BE INSTALLED ON THE OUTSIDE OF THE STRUCTURE
 ICAST TO INSTALL THE INTERNALS
 CONTECH'S LOGO AS WELL AS THE INLET AND OUTLET MUST BE STENCILED ONTO THE STRUCTURE

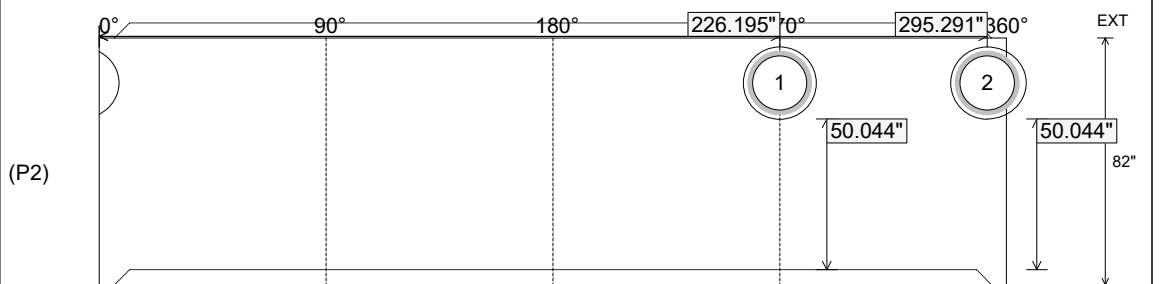
Rim: 802.25' Rim to Invert: 6.4' Slack: -0.156" Sump: 82.044" Step Position:

Position	Elev	Angle	Ext. (cw)	Pipe	Pipe OD	Connector	Hole	Horz Size	Up ()	Offset
Invert 1	795.85'	270°	268.606"	18" HDPE	21.2"	Hole 24	24"	24.257"	50.044"	0"
Invert 2	795.85'	338°	348.346"	18" HDPE	21.2"	Hole 24	24"	25.133"	50.044"	12"
Invert 3										
Invert 4										
Invert 5										
Invert 6										
Invert 7										
Invert 8										

RIGHT-SIDE UP VIEW (int. dimensions)



INSIDE WALL DIMENSIONS



Coating (Int): Coating (Ext):	Seam Up: Tongue Seam Dn: Groove	Wall Thickness: 9" Floor Height: 0"	Height (Int): 82" Height (Ext): 82"	Weight (Net): 19728 lb Volume (Net): 5.04cu.yd
----------------------------------	------------------------------------	--	--	---